

aiwa

COMPACT DISC STEREO SYSTEM  
SISTEMA ESTEREO CON REPRODUCTOR DE DISCOS COMPACTOS  
CHAINE STEREO AVEC LECTEUR DE DISQUES COMPACTS

NSX-A999

OPERATING INSTRUCTIONS  
MANUAL DE INSTRUCCIONES  
MODE D'EMPLOI

E (English)

E (Español)

F (Français)

For assistance and information

**call toll free 1-800-BUY-AIWA**

(United States and Puerto Rico)



8Z-NF5-903-01  
990115ATS-U-9

U

COMPACT  
disc  
DIGITAL AUDIO

**WARNING**

TO REDUCE THE RISK OF FIRE OR ELECTRIC SHOCK, DO NOT EXPOSE THIS APPLIANCE TO RAIN OR MOISTURE

	<b>CAUTION</b> RISK OF ELECTRIC SHOCK DO NOT OPEN	
<p>“CAUTION: TO REDUCE THE RISK OF ELECTRIC SHOCK, DO NOT REMOVE COVER (OR BACK). NO USER-SERVICEABLE PARTS INSIDE. REFER SERVICING TO QUALIFIED SERVICE PERSONNEL.”</p>		

**Explanation of Graphical Symbols:**



The lightning flash with arrowhead symbol, within an equilateral triangle, is intended to alert the user to the presence of uninsulated “dangerous voltage” within the product’s enclosure that may be of sufficient magnitude to constitute a risk of electric shock to persons.



The exclamation point within an equilateral triangle is intended to alert the user to the presence of important operating and maintenance (servicing) instructions in the literature accompanying the appliance.

**Owner’s record**

For your convenience, record the model number and serial number (you will find them on the rear of your set) in the space provided below. Please refer to them when you contact your Aiwa dealer in case of difficulty.


Model No.	Serial No. (Lot No.)
CX-NA999	
SX-WNA999	
SX-R275	

**PRECAUTIONS**

Read the Operating Instructions carefully and completely before operating the unit. Be sure to keep the Operating Instructions for future reference. All warnings and cautions in the Operating Instructions and on the unit should be strictly followed, as well as the safety suggestions below.

**Installation**

- 1 **Water and moisture** — Do not use this unit near water, such as near a bathtub, washbowl, swimming pool, or the like.
- 2 **Heat** — Do not use this unit near sources of heat, including heating vents, stoves, or other appliances that generate heat. It also should not be placed in temperatures less than 5°C (41°F) or greater than 35°C (95°F).
- 3 **Mounting surface** — Place the unit on a flat, even surface.
- 4 **Ventilation** — The unit should be situated with adequate space around it so that proper heat ventilation is assured. Allow 10 cm (4 in.) clearance from the rear and the top of the unit, and 5 cm (2 in.) from each side.
  - Do not place the unit on a bed, rug, or similar surface that may block the ventilation openings.
  - Do not install the unit in a bookcase, cabinet, or airtight rack where ventilation may be impeded.
- 5 **Objects and liquid entry** — Take care that objects or liquids do not get inside the unit through the ventilation openings.
- 6 **Carts and stands** — When placed or mounted on a stand or cart, the unit should be moved with care. Quick stops, excessive force, and uneven surfaces may cause the unit or cart to overturn or fall.
 


- 7 **Condensation** — Moisture may form on the CD pickup lens when:
  - The unit is moved from a cold spot to a warm spot
  - The heating system has just been turned on
  - The unit is used in a very humid room
  - The unit is cooled by an air conditioner

When this unit has condensation inside, it may not function normally. Should this occur, leave the unit for a few hours, then try to operate again.
- 8 **Wall or ceiling mounting** — The unit should not be mounted on a wall or ceiling, unless specified in the Operating Instructions.

**Electric Power**

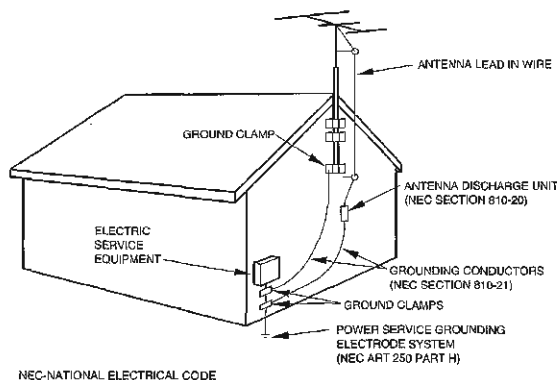
- 1 **Power sources** — Connect this unit only to power sources specified in the Operating Instructions, and as marked on the unit.
- 2 **Polarization** — As a safety feature, some units are equipped with polarized AC power plugs which can only be inserted one way into a power outlet. If it is difficult or impossible to insert the AC power plug into an outlet, turn the plug over and try again. If it still does not easily insert into the outlet, please call a qualified service technician to service or replace the outlet. To avoid defeating the safety feature of the polarized plug, do not force it into a power outlet.
- 3 **AC power cord**
  - When disconnecting the AC power cord, pull it out by the AC power plug. Do not pull the cord itself.
  - Never handle the AC power plug with wet hands, as this could result in fire or shock.
  - Power cords should be firmly secured to avoid being severely bent, pinched, or walked upon. Pay particular attention to the cord from the unit to the power outlet.
  - Avoid overloading AC power plugs and extension cords beyond their capacity, as this could result in fire or shock.

- 4 **Extension cord** — To help prevent electric shock, do not use a polarized AC power plug with an extension cord, receptacle, or other outlet unless the polarized plug can be completely inserted to prevent exposure of the blades of the plug.
- 5 **When not in use** — Unplug the AC power cord from the power outlet if the unit will not be used for several months or more. When the cord is plugged in, a small amount of current continues to flow to the unit, even when the power is turned off.

#### Outdoor Antenna

- 1 **Power lines** — When connecting an outdoor antenna, make sure it is located away from power lines.
- 2 **Outdoor antenna grounding** — Be sure the antenna system is properly grounded to provide protection against unexpected voltage surges or static electricity build-up. Article 810 of the National Electrical Code, ANSI/NFPA 70, provides information on proper grounding of the mast, supporting structure, and the lead-in wire to the antenna discharge unit, as well as the size of the grounding unit, connection to grounding terminals, and requirements for grounding terminals themselves.

Antenna Grounding According to the National Electrical Code



NEC-NATIONAL ELECTRICAL CODE

#### Maintenance

Clean the unit only as recommended in the Operating Instructions.

#### Damage Requiring Service

Have the units serviced by a qualified service technician if:

- The AC power cord or plug has been damaged
- Foreign objects or liquid have gotten inside the unit
- The unit has been exposed to rain or water
- The unit does not seem to operate normally
- The unit exhibits a marked change in performance
- The unit has been dropped, or the cabinet has been damaged

**DO NOT ATTEMPT TO SERVICE THE UNIT YOURSELF.**

## TABLE OF CONTENTS

PRECAUTIONS .....	2
<b>PREPARATIONS</b>	
CONNECTIONS .....	4
REMOTE CONTROL .....	6
BEFORE OPERATION .....	6
<b>SOUND</b>	
AUDIO ADJUSTMENTS .....	9
RHYTHM PLAY FUNCTION (BEAT MASTER DX) .....	9
GRAPHIC EQUALIZER .....	13
DSP SURROUND .....	14
<b>RADIO RECEPTION</b>	
MANUAL TUNING .....	15
PRESETTING STATIONS .....	15
<b>TAPE PLAYBACK</b>	
BASIC OPERATIONS .....	16
CONTINUOUS PLAY .....	17
<b>CD PLAYING</b>	
BASIC OPERATIONS .....	18
PROGRAMMED PLAY .....	19
<b>RECORDING</b>	
BASIC RECORDING .....	20
DUBBING A TAPE MANUALLY .....	21
DUBBING THE WHOLE TAPE .....	21
AI EDIT RECORDING .....	22
PROGRAMMED EDIT RECORDING .....	23
<b>KARAOKE</b>	
MICROPHONE MIXING .....	24
KARAOKE PROGRAM .....	25
<b>CLOCK AND TIMER</b>	
SETTING THE CLOCK .....	26
SETTING THE SLEEP TIMER .....	26
SETTING THE TIMER .....	27
<b>OTHER CONNECTIONS</b>	
CONNECTING OPTIONAL EQUIPMENT .....	28
LISTENING TO EXTERNAL SOURCES .....	28
<b>GENERAL</b>	
CARE AND MAINTENANCE .....	29
TROUBLESHOOTING GUIDE .....	29
SPECIFICATIONS .....	30
PARTS INDEX .....	Back cover

En

## PREPARATIONS

# CONNECTIONS

Check your system and accessories

### NSX-A999

CX-NA999 Compact disc stereo cassette receiver

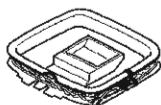
SX-WNA999 Front speakers

SX-R275 Surround speakers

Remote control



AM antenna



FM antenna



Operating Instructions, etc

### Before connecting the AC cord

The rated voltage of your unit shown on the rear panel is 120 V AC. Check that the rated voltage matches your local voltage.

### IMPORTANT

Connect the speakers, antennas, and all optional equipment first. Then connect the AC cord.

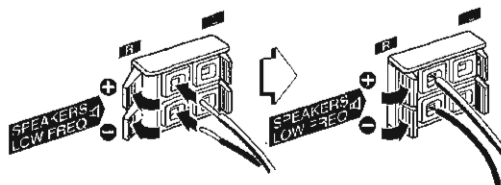
There are no differences between the front speakers. Both speakers can be connected as L (left) or R (right).

### 1 Connect the right speaker to the main unit.

- 1 Connect the speaker cord with the plug to the **SPEAKERS HIGH FREQ R** terminal.

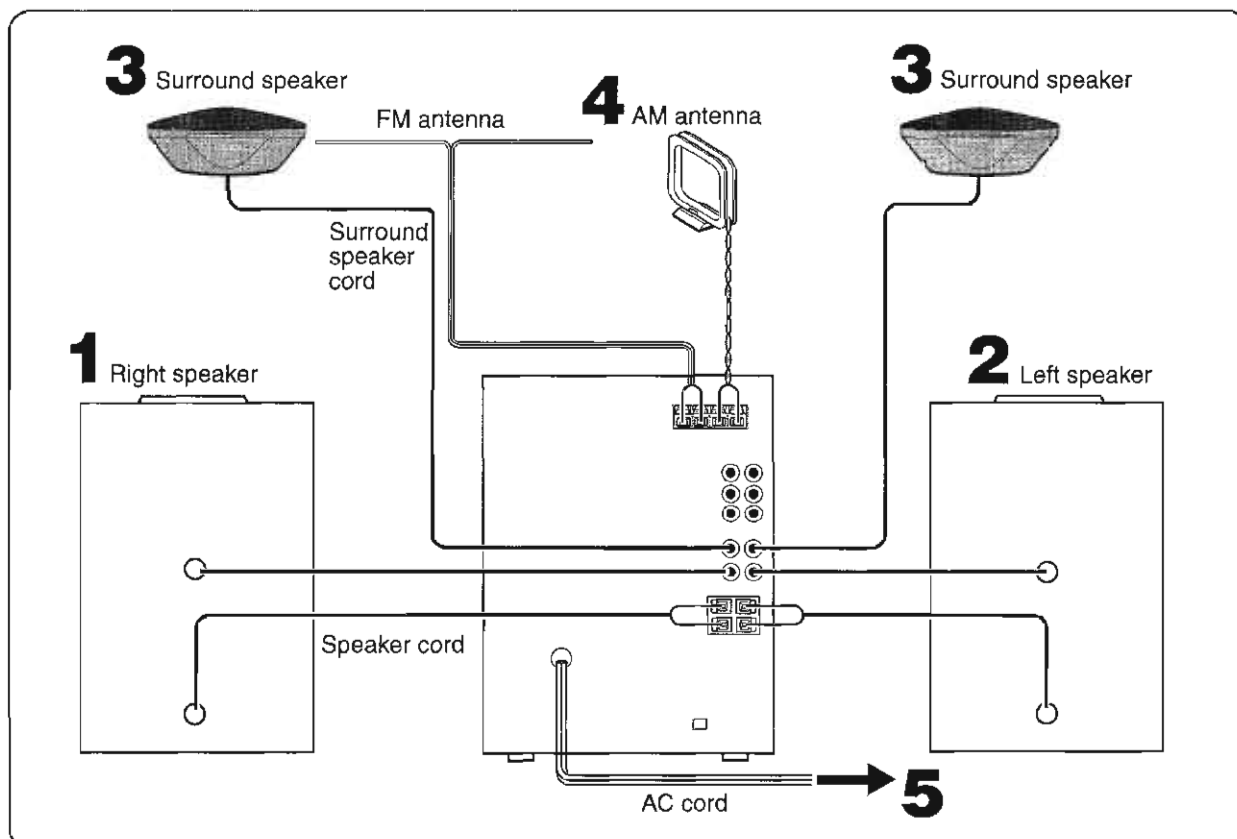


- 2 Connect the speaker cord with the white stripe to the **SPEAKERS LOW FREQ R +** terminal and the black cord to the **-** terminal.

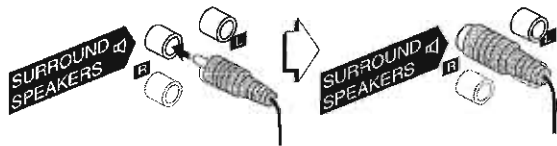


### 2 Connect the left speaker to the main unit.

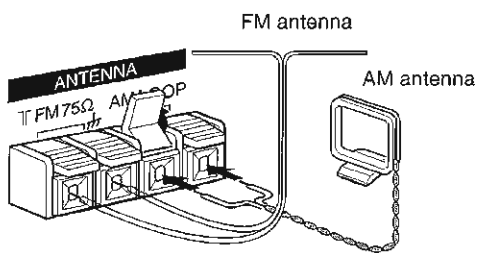
Connect the speaker cord with plug to the **SPEAKERS HIGH FREQ L** terminal, and another speaker cord to the **SPEAKERS LOW FREQ L** terminals in the same manner as step 1.



- 3 Connect the surround speakers to the main unit.**  
 There are no differences between the surround speakers. Connect each surround speaker cord to **SURROUND SPEAKERS R** or **L** terminal.



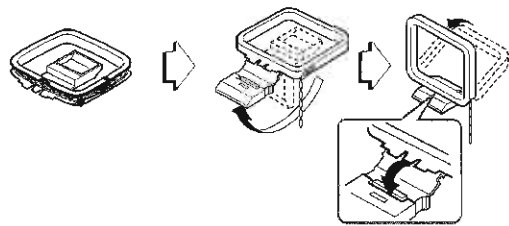
- 4 Connect the supplied antennas.**  
 Connect the FM antenna to **FM 75 Ω** terminals and the AM antenna to **AM LOOP** terminals.



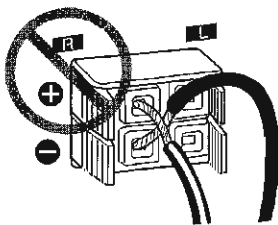
- 5 Connect the AC cord to an AC outlet.**  
 • The game Demo will begin when the AC cord is plugged into an AC outlet. See page 8 "Game Demo" for details.

**To position the antennas**  
**FM feeder antenna:**  
 Extend this antenna horizontally in a T-shape and fix its ends to the wall.  
**AM antenna:**  
 Position to find the best possible reception.

**To stand the AM antenna on a surface**  
 Fix the claw to the slot.



**NOTE**  
 • Be sure to connect the speaker cords correctly. Improper connections can cause short circuits in **SPEAKERS** terminals.

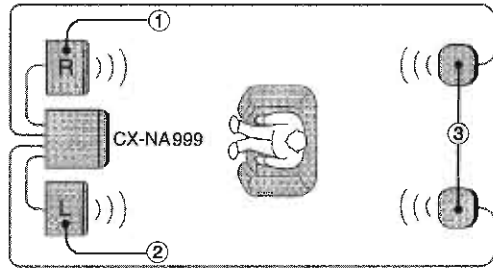


- Do not leave objects generating magnetism, such as credit cards, near the speakers, as these objects may be damaged.
- Do not bring the FM antenna near metal objects or curtain rails.
- Do not bring the AM antenna near other optional equipment, the stereo system itself, the AC cord or speaker cords, since noise will be picked up.
- Do not unwind the AM antenna wire.

**POSITIONING THE SPEAKERS**

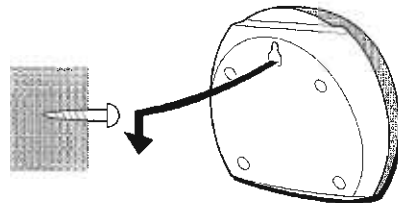
Position the speakers to make the most of the **SURROUND** effect.

**Standard positioning**



- ① **Front speaker (Right)**
- ② **Front speaker (Left)**
- ③ **Surround speakers**  
 Place the surround speakers behind the listening area.

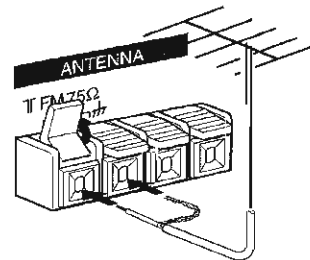
**To mount the surround speakers on the wall**  
 Mount each speaker on a spot that can hold its weight.



En

**CONNECTING AN OUTDOOR ANTENNA**

For better FM reception, use of an outdoor antenna is recommended. Connect the outdoor antenna to **FM 75 Ω** terminals.

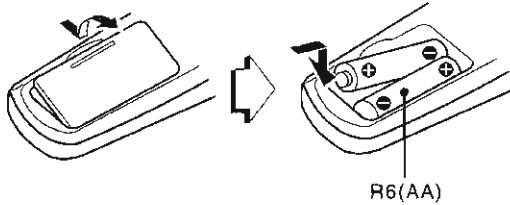


To connect other optional equipment → page 28.

## REMOTE CONTROL

### Inserting batteries

Detach the battery cover on the rear of the remote control and insert two R6 (size AA) batteries.

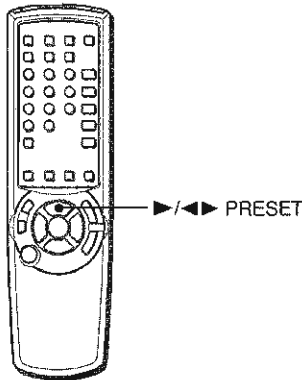


### When to replace the batteries

The maximum operational distance between the remote control and the sensor on the main unit should be approximately 5 meters (16 feet). When this distance decreases, replace the batteries with new ones.

### ▶/◀ PRESET on the remote control

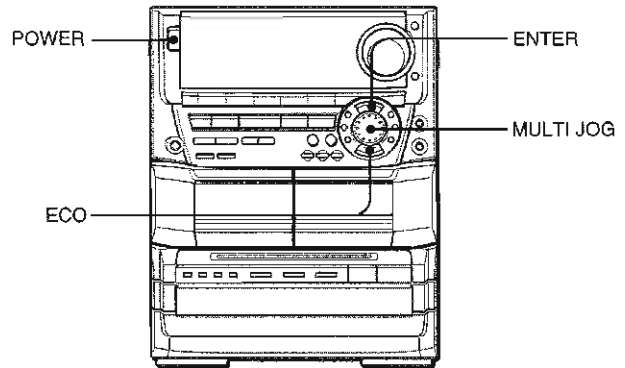
The function is the same as that of ◀▶ on the main unit.



### NOTE

- If the remote control is not going to be used for an extended period of time, remove the batteries to prevent possible electrolyte leakage.
- The remote control may not operate correctly when:
  - The line of sight between the remote control and the remote sensor inside the display window is exposed to intense light, such as direct sunlight
  - Other remote controls are used nearby (those of a television, etc.)

## BEFORE OPERATION



### To turn the power on

Press one of the function buttons (TAPE DECK1/2, TUNER BAND, VIDEO/AUX, CD, MD). Playback of the inserted disc or tape begins, or the previously tuned station is received (Direct Play Function).  
**POWER** is also available.

### NOTE

When the power is turned on, the disc compartment may open and close to reset the unit.

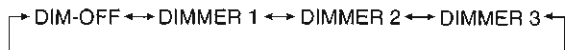
### To turn the power off

Press **POWER**.

### To change the brightness level of the display

- 1 Press **ECO** so that "ECO MODE" is displayed.
- 2 Within 4 seconds, turn **MULTI JOG** to display "DIM MODE", and then press **ENTER** within 4 seconds.
- 3 Within 4 seconds, turn **MULTI JOG** to select the dimmer mode as below.

The mode will be automatically set after 4 seconds. It will also be set if **ENTER** is pressed within 4 seconds after step 3.



**DIM-OFF**: The normal display.

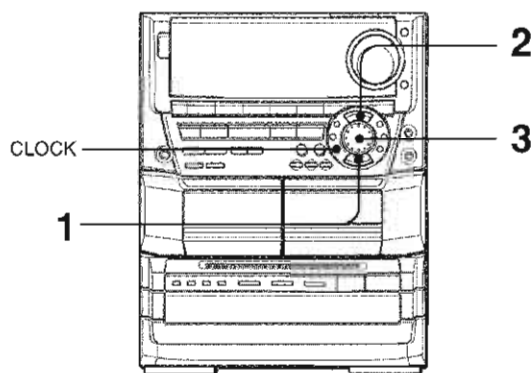
**DIMMER 1**: The illumination of the display is dimmer than usual.

**DIMMER 2**: The illumination of the display is dimmer than DIMMER 1.

**DIMMER 3**: The illumination of the display is dimmer than DIMMER 2. The spectrum analyzer, and the button lamps light off.

### NOTE

If the timer recording (page 27) is done with the economizing mode (page 7) set to "ON" and the power turns off, the dimmer mode will be set to "DIMMER 3" the next time the power is turned on.



## SETTING POWER ECONOMIZING MODE

Setting this unit to power economizing mode reduces power consumption as follows.

- When the power is turned off, all the display lights turn off. However, if the clock is not set, the game Demo (page 8) will begin when the power is turned off.
- If CD, Tape or Rhythm play function (page 9) does not play for 10 minutes or if there is no audio input from any connected external equipment for 10 minutes when VIDEO/AUX or MD is selected as the source, the power shuts off.
- When the power turns on due to timer recording (page 27), the display brightness level is set to "DIMMER 3" (page 6), all button lamps are off, and the volume is set to the minimum level (0).
- The display brightens only when operating the unit. When the unit has not been used for 10 seconds, the brightness level switches to the mode previously selected in "DIM MODE". (Page 6)  
(If the display brightness level is set to "DIM-OFF", the brightness does not change. When the level is "DIMMER 3", the button lamps are also turned off.)

### 1 Press ECO.

"ECO MODE" will be displayed.



### 2 Press ENTER within 4 seconds.

The current power-economizing mode status will be displayed.  
If the power-economizing mode is OFF: ECO OFF  
If the power-economizing mode is ON: ECO ON

### 3 Turn MULTI JOG within 4 seconds to switch the power-economizing mode on or off.

Example: When "ON" is selected



The mode will be automatically set after 4 seconds. It will also be set if ENTER is pressed within 4 seconds after step 3.

## NOTE

To view the clock when all the display lights turn off, press CLOCK so that the time is displayed for 4 seconds.

## 4-Channel Multi-Amplifier System

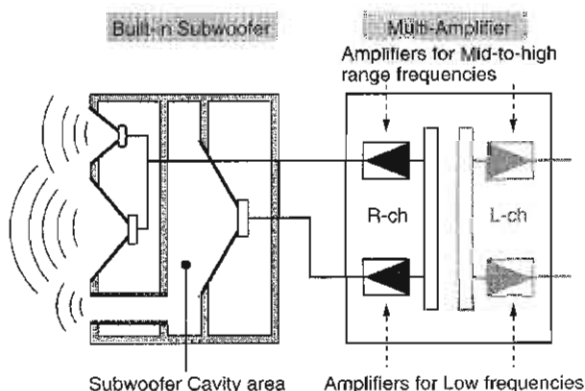
To provide reinforcement for the ultra-low frequencies, in addition to the Left/Right 2-channel amplifier used to reproduce mid-to-high-range frequencies, this system incorporates a second L/R 2-channel amplifier just for reproduction of ultra-low frequencies — making it, in effect, a 4-amplifier system. By utilizing discrete amplifiers for mid to-high-frequencies and low frequencies, high-quality sonic reproduction that is virtually free from distortion can be realized.

This Multi Amplifier System, which utilizes independent circuitry for the different frequency ranges, enables superb sonic reproduction free from distortion.

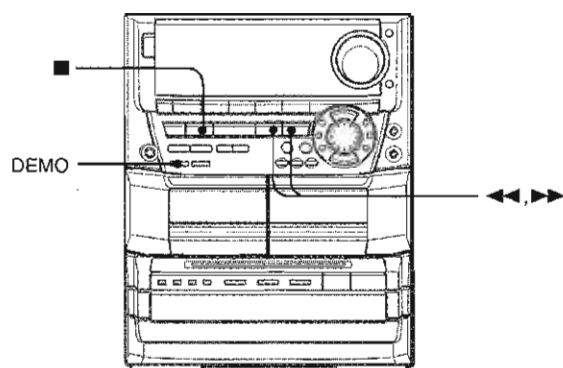
## Built-in Subwoofer System

The built-in subwoofer System has a separate subwoofer cavity area that is part of the loudspeaker cabinet structure, which acts as a sonic filter to cut distortion components. (In the Multi Amplifier System, the ultra-low frequency signals transmitted from their own independent amplifier are reproduced in this area.) This separate construction gives a clear, rich definition to bass reproduction and it can realize clear, well-defined mid-to-high frequency signals.

And AIWA's built-in subwoofer system incorporates a subwoofer capable of powerful, satisfying bass performance with true stereo separation.



En



## Game Demo

When you only plug the AC power cord for the first time after purchase, the game automatically comes on. This initial state is disabled once you set the built-in clock. As long as you leave the clock intact, the game automatically comes on when switching off power.

### To play the game Demo

Press **DEMO** whether the unit is turned on or off, and whether the clock has been set or not.

With the power switched off the game is silent. With the power switched on it is livened up with audio (referred to as game sound in the following).

#### 1 Press ◀▶.

Three numbers on the display start to run.

#### 2 Press ■ once.

The number on the left side stops.

#### 3 Press ■ twice to stop the remaining two numbers.

*Scoring:*

20 points are given to start the game.

If all the numbers are equal, 50 points are added to the score.

If not equal, one point is subtracted.

If the gained points reach 9999, you win.

If the gained points fall to 0, you lose.

### To cancel the game Demo

Press **DEMO**.

### To reset the game Demo

Press **DEMO** twice.

### To change the probability of equalizing the three numbers

Press ◀◀ or ▶▶ repeatedly to select one of the three probability levels when playing the game Demo. The tray number indicator in the display changes between 1 and 3. As the tray number increases from 1 to 3, the higher the probability of equalizing.



### To mute the game sound

Firstly, cancel the game Demo by pressing **DEMO**. Then, keep pressing **DEMO** until "♪♪ OFF" is displayed.

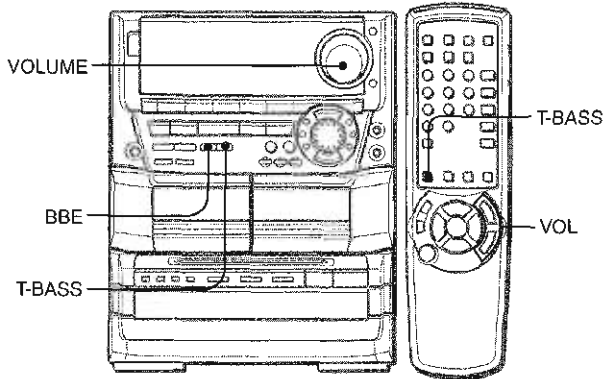
To restore the game sound, keep pressing **DEMO** again until "♪♪ ON" is displayed.

#### NOTE

- During playing the game Demo, ■, ◀◀, ▶▶ and ◀▶ are available only for the game Demo. Cancel the game Demo to use these buttons for the functions such as CD playing, etc.
- To change the game sound, see "RHYTHM PLAY FUNCTION" on page 9.
- During the game Demo, some indicators unrelated with the actual operation light up on the display.
- DEMO is locked out during recording and is not operative.
- The game Demo and the game sound are automatically canceled if the volume is adjusted while the unit is turned on.



## AUDIO ADJUSTMENTS



### VOLUME

Turn **VOLUME** on the main unit, or press **VOL** on the remote control.

The volume level is displayed as a number from 0 to MAX (50). The volume level is automatically set to 20 when the power is turned off with the volume level set to 21 or more.

### BBE SYSTEM

The BBE system enhances the clarity of high-frequency sound. It also enriches the Karaoke function to make your voice sound clear and pleasant.

Press **BBE**.

Each time it is pressed, the level changes. Select one of the three levels, or the off position to suit your preference.



BBE

### SUPER T-BASS SYSTEM

The T-BASS system enhances the realism of low-frequency sound.

Press **T-BASS**.

Each time it is pressed, the level changes. Select one of the three levels, or the off position to suit your preference.



T-BASS

#### NOTE

- Low frequency sound may be distorted when the T-BASS system is used for a disc or tape in which low frequency sound is originally emphasized. In this case, cancel the T-BASS system.
- When playing back a tape recorded with BBE, it is recommended that BBE be set to off to avoid distorted high frequency sound.

## RHYTHM PLAY FUNCTION (BEAT MASTER DX)

### USING THE BEAT FUNCTION

This unit has a library of rhythm patterns from which you can select the desired one to add to the playback of any music sources, thus allowing you to create your original sounds.

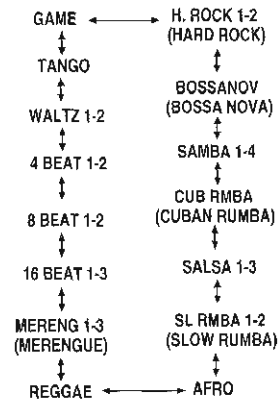
The mix created with the BEAT and BBE functions can be recorded on tape if you want to. Also, the mix is available at **LINE OUT**.

#### NOTE

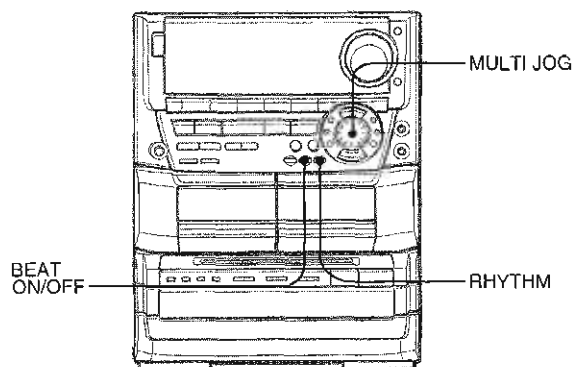
The BEAT function is not available when making a tape copy between two tape decks using **SYNC DUB**.

### To select a rhythm pattern

- 1 Press **BEAT ON/OFF** to switch the function on. You'll hear the current rhythm pattern, the display showing the name of the rhythm.
- 2 Turn **MULTI JOG** to cycle through the options provided until you find one that meets the music. The display will change as follows:



### To adjust the tempo of the rhythm pattern



- 1 Press **RHYTHM** repeatedly until the display reads "Tempo XXX."

These voice wave data incorporated in this product are Yamaha Corporation's copyrightable property and we are licensed by Yamaha Corporation.

**NOTE**

If "AUTO" shows while you are pressing RHYTHM, change it to "MANUAL" by tuning MULTI JOG to the left. In AUTO mode the tempo is automatically set and you cannot access the display of "Tempo." (More about AUTO mode later.)

**2 Turn MULTI JOG.**

Turning to the right speeds up the tempo. Turning to the left slows down the tempo.

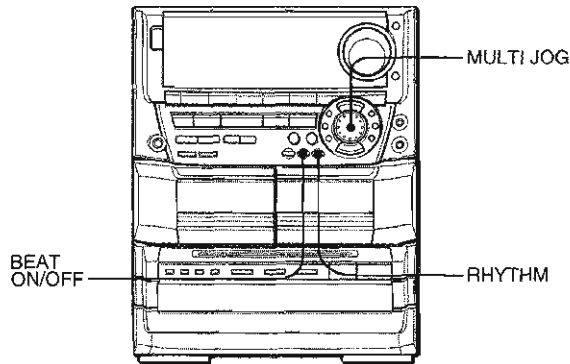
(If a time-out occurs before you turn the dial, go back to the display of "Tempo" by pressing RHYTHM.)

The tempo can be changed within the limits of 81 to 160.

**NOTE**

The tempo of GAME is not adjustable.

**To change the volume level of the rhythm pattern**



**1 Press RHYTHM repeatedly until the display reads "LEVEL X."**



**2 Turn MULTI JOG.**

Three levels, 1-3, are available.

**To stop the BEAT function**

Press BEAT ON/OFF.

BEAT toggles between On and Off.

**NOTE**

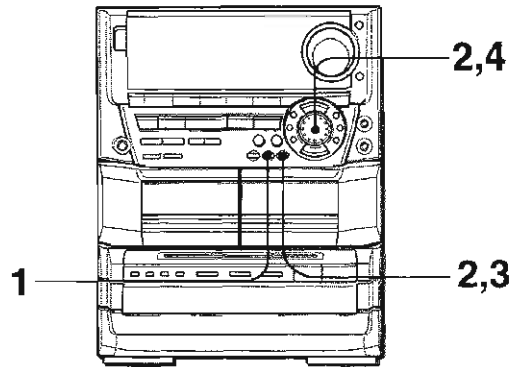
When you interrupt or stop the playback of the sound source, the BEAT function is automatically switched off.

**Using the AUTO mode**

The AUTO mode automatically adjusts the tempo of the current rhythm pattern so it coincides with the tempo of the music.

**NOTE**

Depending on the music the AUTO mode may not work correctly (with songs whose tempo is fuzzy, or is varying, for example).



You can let the music start playing before performing step 1 or later at the desired moment.

**1 Press BEAT ON/OFF to switch the function on.**

You will hear the current rhythm pattern.

**2 Change the rhythm pattern and the level setting as required by pressing RHYTHM and turning MULTI JOG.**

**3 Press RHYTHM to switch the display to read "MANUAL" or "AUTO."**



**4 Turn MULTI JOG to the right to change the display to "AUTO."**

If "AUTO" is displayed in step 3, turn MULTI JOG to the left to change the display to "MANUAL" before performing step 4.



On switching from MANUAL over to AUTO the level of the rhythm pattern is automatically reduced to "1." The preset level will be resumed when the unit takes on the tempo of the music.

While the unit is trying to get synced up to the tempo of the music, a cascade-like blue indicator will flash on the sides of the graphic equalizer display section.



When the unit gets synced up to the tempo of the music, the display will momentarily read the synced-up tempo.

Depending on sound sources (such as, songs whose tempo is varying), however, you may see different tempos appearing one after the other in the display.

After once synced up if the sync lock unlocks the display will read "BEAT OUT," and again the unit will try to get synced up.

At the occurrence of BEAT OUT the level of the rhythm is automatically reduced to "1"; and it increases back to the preset level when sync is achieved again.

**NOTE**

The BEAT function can be used together with the SPICE A/B function, as well as with the FILL IN function. (For these functions see below.) But you cannot use the AUTO SPICE function at the same time as the BEAT function.

**Using the FILL IN function**

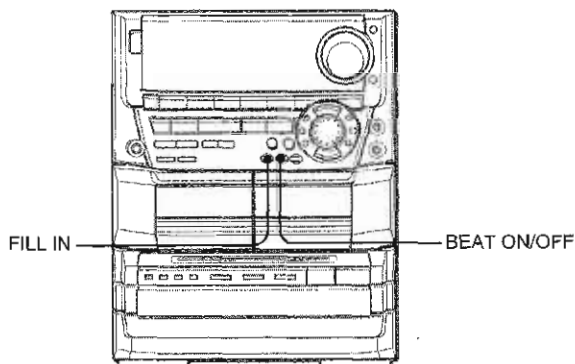
The FILL IN function is used together with the BEAT function to insert a variation of the current rhythm pattern.

The AUTO SPICE/FILL IN double function switch takes on the FILL IN function when the BEAT function is switched On.

**NOTE**

- The AUTO SPICE function is not available at the same time as the FILL IN function.
- The FILL IN function is not available when making a tape copy between two tape decks using SYNC DUB.

**To use the FILL IN function**



During playback with the BEAT function switched on, press FILL IN at the desired moment.



The display will read "FILL IN" and, when the current cycle of the rhythm pattern is over, you'll hear a short sound different from the rhythm pattern. This sound depends on rhythm patterns. If you want, try to change the rhythm pattern. (Selecting a rhythm pattern is discussed earlier, under the corresponding heading.)

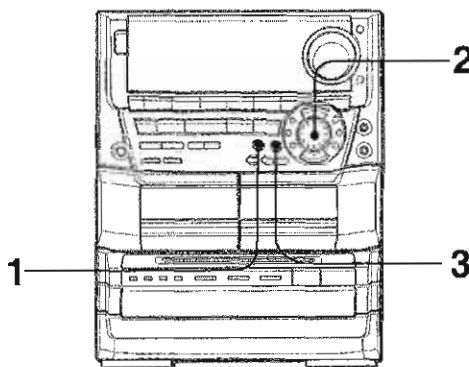
**USING THE SPICE FUNCTION**

**SPICE A/B function**

The SPICE A/B function allows you to add percussion to the playback of the music and create your original sounds. Your sounds created with SPICE A/B can be recorded on tape if you want to.



**To select sounds**



- 1 Press A.**  
You will hear the current sound stored in A.
- 2 Within 4 seconds, turn MULTI JOG to the left or right until you find the desired sound.**  
As the display changes, you will hear the respective sound.
- 3 In a similar way, select a sound for B.**

**To actually use the function**

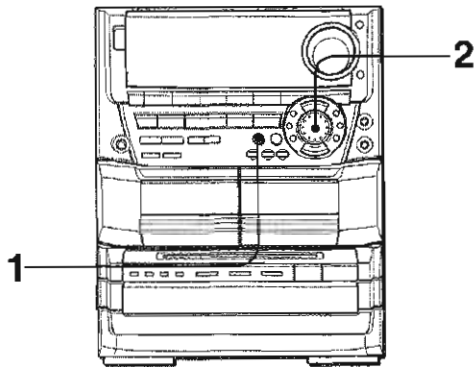
Once you are satisfied with the sound selection, let the music start playing, and hit SPICE A or B in time with the music as if to play percussion instruments.

**NOTE**

You cannot use the SPICE A/B function when making a tape copy between two tape decks using SYNC DUB.



## Using a scratch mode



- 1 Hold down SPICE A. (Don't release the button until you complete step 2.)**

The display will read "SCT MODE."



- 2 Still holding down the button, turn MULTI JOG.**  
Depending on the direction in which you turn MULTI JOG, different scratches are produced.

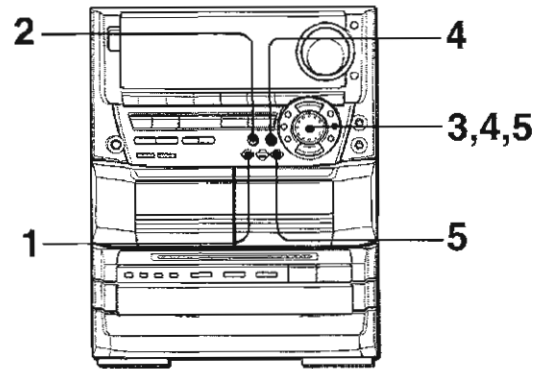
The Scratch mode is disabled when you release the A button.

## Using the AUTO SPICE function

The AUTO SPICE function produces the sounds of SPICE A and B in sync with the music, the sound of A in response to low frequency signals, and the sound of B in response to high frequency signals.

### NOTE

- The AUTO SPICE function cannot be used together with the BEAT function.
- Depending on the music the AUTO SPICE function may not work the way you'd expect. In such a case, use the SPICE A/B function instead.
- The AUTO SPICE function is not available when making a tape copy between two tape decks using SYNC DUB.



- 1 Press AUTO SPICE.**

"A-SPICE" will show in the display.



- 2 Press SPICE A.**

You'll hear the sound currently stored in A, its name appearing in the display.

Each time you press A the sound is produced.

- 3 If you want to change the sound of A, turn MULTI JOG until you find the desired sound.**

(If a time-out occurs after completing step 2 and before performing step 3, press SPICE A again.)

- 4 In a similar way, check the sound of B and change it if you want to.**

- 5 To adjust the level of the A and B sounds, access the display of "LEVEL X" by pressing RHYTHM as many times as necessary, then within 4 seconds turn MULTI JOG.**

Three levels, 1, 2 and 3, are available.



The A and B levels are adjusted at one time.

- 6 Let the source start playing to audition the effect.**

The blue cascade-like indicator to the left of "BBE" in the display will flash and the sound of SPICE A will play in sync with the bass, and the sound of SPICE B in sync with the treble.

### NOTE

When a rhythm pattern is playing or while a FILL IN sound is being produced if you flip SPICE A or B or produce scratches, a momentary break would occasionally occur in the rhythm pattern or the FILL IN sound. The same goes for the AUTO SPICE sounds when you flip SPICE A or B or produce scratches.

## GRAPHIC EQUALIZER

### SELECTING THE PROGRAMMED EQUALIZATION CURVE

This unit provides the following 5 different programmed equalization curves.

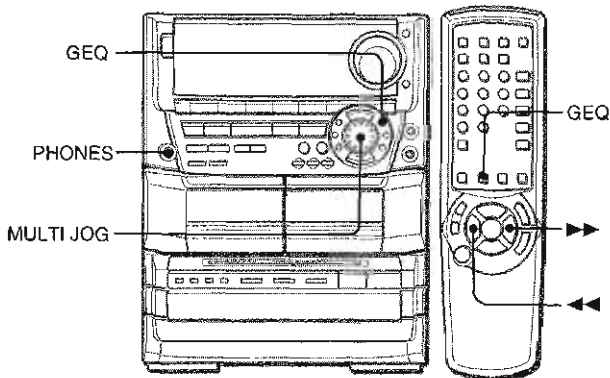
**ROCK:** Powerful sound emphasizing treble and bass

**POP:** More presence in the vocals and midrange

**LATIN:** Accented higher frequencies for latin music.

**CLASSIC:** Enriched sound with heavy bass and fine treble.

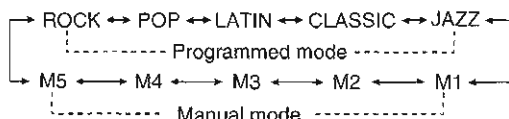
**JAZZ:** Accented lower frequencies for jazz-type music



Press **GEQ**, and turn **MULTI JOG** to select one of the programmed equalization curves within 4 seconds.



"GRAPHIC EQUALIZER" appears and the GEQ mode is displayed cyclically as follows.



#### To display the current GEQ mode

Press **GEQ**. The current mode is displayed for 4 seconds.

#### To cancel the selected mode

Press **GEQ** twice.

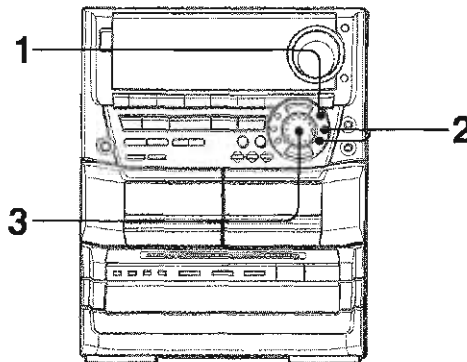
"GEQ OFF" appears and "GRAPHIC EQUALIZER" disappears.

#### To select with the remote control

Press **GEQ**, then within 4 seconds press **◀** or **▶** repeatedly.

The GEQ mode is displayed cyclically as above.

### SETTING A NEW EQUALIZATION CURVE MANUALLY



The equalization curve can be customized to suit your preference.

If a time-out occurs while you are performing these steps, press **UP** or **DOWN** to return to the previous display.

#### 1 Press **GEQ**.

The current GEQ mode or "GEQ ON" will be displayed.

#### 2 Within 4 seconds, press **UP** or **DOWN** to select frequency bands.

Each time you press **UP/DOWN**, a blinking 4-segment indicator will move to the next upper or lower frequency band. (If the current GEQ mode showed, it changes to "GEQ ON" at the first flip of **UP** or **DOWN**.)



#### 3 Turn **MULTI JOG** to set the level of equalization for the selected frequency band.

#### 4 In a similar way, set the level of equalization for the remaining other frequency bands.

#### Using the headphones

Connect headphones to the **PHONES** jack with a standard stereo plug (ø6.3 mm, 1/4 inch).

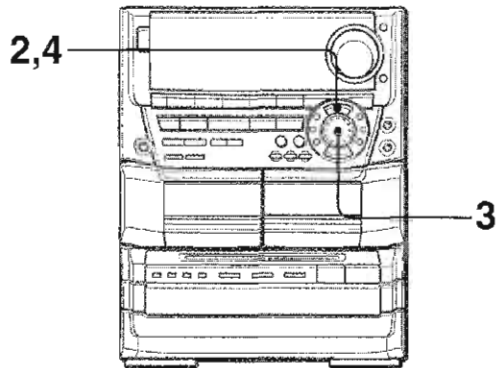
No sound is output from the speakers while the headphones are plugged in.

- When the headphones are plugged in, the **SURROUND** system does not function.

#### Sound adjustment during recording

The **VOLUME** control has no effect on recording. It only sets the level feeding the speakers and headphones. Remember, however, recording takes on the **BEAT**, **AUTO SPICE/FILL IN**, **SPICE A/B** functions, as well as on the **BBE** function.

## MEMORIZING THE NEW EQUALIZATION CURVES



Up to 5 customized equalization curves can be stored as the manual modes M1 - M5.

**1 Go through steps 1-4 on previous page.**

The created curve is displayed for 4 seconds.

**2 Within 4 seconds, press ENTER.**

"M 1" flashes on the display for 4 seconds.



- If this step is not completed within 4 seconds, press **GEQ** first to display "GEQ ON". Then within 4 seconds press **ENTER** repeatedly until "M1" flashes.

**3 Within 4 seconds, turn MULTI JOG to select one of the manual modes M1 - M5 to store the curve.**

**4 Within 4 seconds, press ENTER.**

The new equalization curve is stored.

**To select the stored equalization curve**

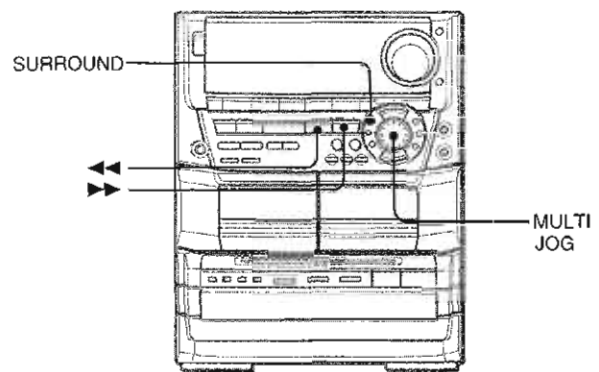
Press **GEQ**, and turn **MULTI JOG** to select one of the manual modes M1 - M5 within 4 seconds.

## DSP SURROUND

The DSP (Digital Signal Processor) **SURROUND** adjusts the delay time, the input mode and the feedback level to give a resonant surround sound, allowing you to enjoy the real sound presence of different environments.

This unit has been programmed with 5 different **SURROUND** modes.

## SELECTING A PROGRAMMED DSP SURROUND MODE

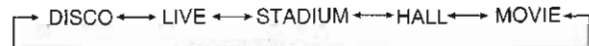


Five modes of **DSP SURROUND** offer the sound presence you'd experience in disco (**DISCO**), at a live concert (**LIVE**), stadium (**STADIUM**), in a concert hall (**HALL**) or movie theater (**MOVIE**). (Shown in parentheses are indications appearing in the display.)

Press **SURROUND**, and turn **MULTI JOG** or press **◀** or **▶** repeatedly to select the desired programmed mode within 4 seconds.



"**DSP SURROUND**" appears and the **DSP SURROUND** mode is displayed cyclically as follows.



Equalization curves are selected automatically to match the **DSP SURROUND** modes and can also be manually selected or turned off to suit your preference.

**To display the current DSP SURROUND mode**

Press **SURROUND**. The current mode is displayed for 4 seconds.

**To cancel the selected mode**

Press **SURROUND** twice. "**DSP OFF**" appears and "**DSP SURROUND**" disappears.

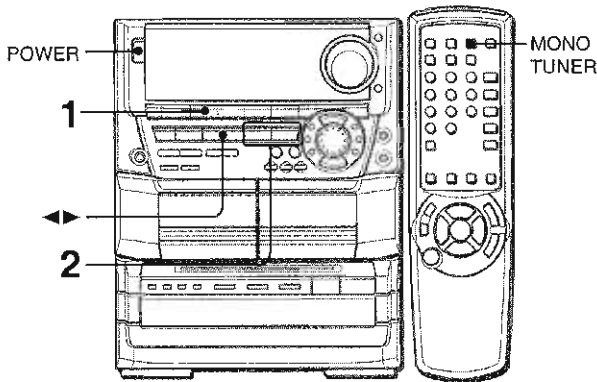
**When the music source is monaural**

Select "**LIVE**", "**STADIUM**" or "**MOVIE**" to obtain a simulated stereo effect.

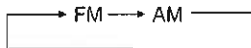
When "**DISCO**" or "**HALL**" is selected, no sound will be heard from the surround speakers.

## RADIO RECEPTION

### MANUAL TUNING

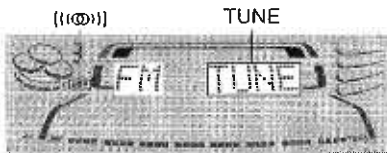


- 1 Press **TUNER BAND** repeatedly to select the desired band.



When **TUNER BAND** is pressed while the power is off, the power is turned on directly.

- 2 Press **◀ DOWN** or **▶ UP** to select a station. Each time the button is pressed, the frequency changes. When a station is received, "TUNE" is displayed for 2 seconds. During FM stereo reception, ((Ⓜ)) is displayed.



#### To search for a station quickly (Auto Search)

Keep **◀ DOWN** or **▶ UP** pressed until the frequency starts to change rapidly. After tuning in to a station, the search stops. To stop the Auto Search manually, press **◀ DOWN** or **▶ UP**.

- The Auto Search may not stop at stations with very weak signals.

#### When an FM stereo broadcast contains noise

Press **MONO TUNER** on the remote control so that "MONO" appears on the display.

Noise is reduced, although reception is monaural.

To restore stereo reception, repeat the above so that "MONO" disappears.

#### To change the AM tuning interval

The default setting of the AM tuning interval is 10 kHz/step. If you use this unit in an area where the frequency allocation system is 9 kHz/step, change the tuning interval.

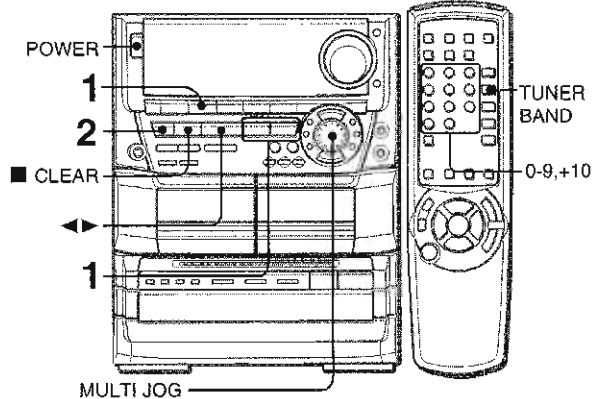
Press **POWER** while pressing **◀▶**.

To reset the interval, repeat this procedure.

#### NOTE

When the AM tuning interval is changed, all preset stations are cleared. The preset stations have to be set again.

### PRESETTING STATIONS

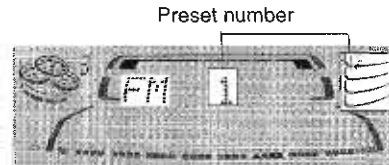


The unit can store a total of 32 preset stations. When a station is stored, a preset number is assigned to the station. Use the preset number to tune in to a preset station directly.

- 1 Press **TUNER BAND** to select a band, and press **◀ DOWN** or **▶ UP** to select a station.

- 2 Press **■ SET** to store the station.

A preset number beginning from 1 in consecutive order for each band is assigned to the station.



- 3 Repeat steps 1 and 2.

The next station will not be stored if a total of 32 preset stations for all the bands have already been stored.

#### NOTE

"FULL" is displayed if you attempt to store more than 32 preset stations.

### PRESET NUMBER TUNING

Use the remote control to select the preset number directly.

- 1 Press **TUNER BAND** to select a band.
- 2 Press numbered buttons **0-9** and **+10** to select a preset number.

Example:

To select preset number 20, press **+10**, **+10** and **0**.

To select preset number 15, press **+10** and **5**.

#### Selecting a preset number on the main unit

Press **TUNER BAND** to select a band. Then, press **◀▶** repeatedly or turn **MULTI JOG**.

Each time **◀▶** is pressed, the next ascending number is selected.

#### To clear a preset station

Select the preset number of the station to be cleared. Then, press **■ CLEAR**, and press **■ SET** within 4 seconds.

The preset numbers of all other stations in the band with higher numbers are also decreased by one.

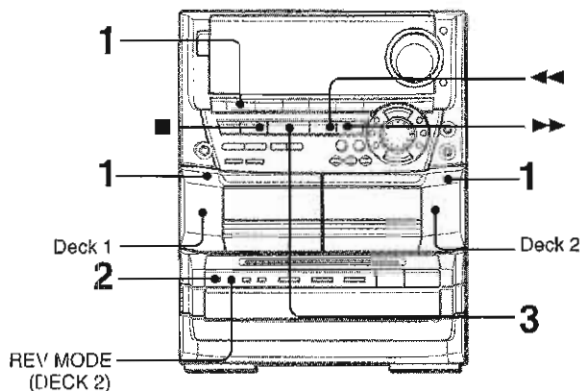
SOUND

RADIO RECEPTION

En

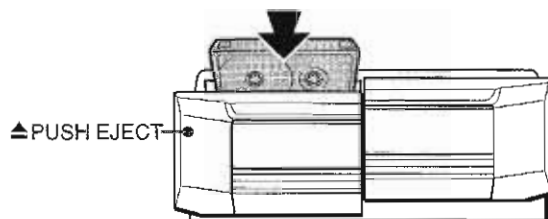
## TAPE PLAYBACK

### BASIC OPERATIONS



- On deck 1, tapes are always played back on both sides. On deck 2, you can select a reverse mode to play back one or both sides.
- Use Type I (normal), Type II (high/CrO<sub>2</sub>) or Type IV (metal) tapes for playback.

**1 Press TAPE DECK 1/2 and press ▲ PUSH EJECT to open the cassette holder.**

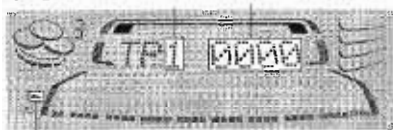


Insert a tape with the exposed side down. Push the cassette holder to close.

**2 Press DOLBY NR and turn Dolby NR on or off to match the playback tape.**

**3 Press ◀▶ to start play.**

The tape counter indicates the  
Playing deck number      tape running length.



Playback side indicator

- ▶: The front side is being played (forward).
- ◀: The back side is being played (reverse).

**To select a reverse mode (deck 2 only)**

Each time **REV MODE (DECK2)** is pressed, the reverse mode changes.



- To play one side only, select ◀.
- To play from front side to reverse side once only, select ▶.
- To play both sides repeatedly, select (◀▶).
- When tapes are loaded in both decks, (◀▶) on the display indicates Continuous Play.

**To select a playing deck**

When tapes are loaded in both decks, press **TAPE DECK 1/2** first to select a deck. The selected deck number is displayed.

**To stop play, press ■.**

**To pause play (deck 2 only), press ■■.** To resume play, press again.

**To change the playback side, press ◀▶** in play or pause mode.

**To fast forward or rewind, press ◀◀ or ▶▶.** Then press ■ to stop the tape.

**To start play when the power is off (Direct Play Function)**

Press **TAPE DECK 1/2**. The power is turned on and play of the inserted tape begins.

**To set the tape counter to 0000**

Press **■ CLEAR** in stop mode.

The counter is also set to 0000 when the cassette holder is opened and closed.



## MUSIC SENSOR

If there is a 4-second or longer blank between each track, a search for the beginning of the current or next track during playback can be done easily.

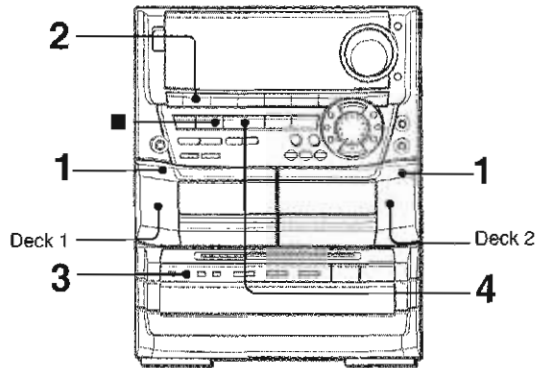
Press ◀◀ or ▶▶ during playback referring to the playback side indicator (◀ or ▶) on the display.

For example, when ▶▶ is pressed while ▶ is displayed, playback of the next track starts.

Music sensor function may not be able to detect tracks under the following conditions:

- Blanks of less than 4 seconds between tracks
- Noisy blanks
- Long passages of low-end sound
- Low overall recording levels

## CONTINUOUS PLAY

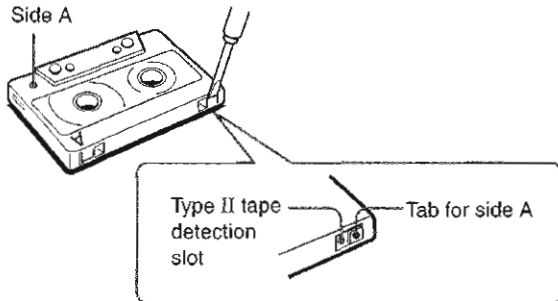


After playback on one deck finishes, the tape in the other deck will start to play without interruption.

- 1 Insert tapes into deck 1 and deck 2.
- 2 Press TAPE DECK 1/2 to select the deck to be played back first.
- 3 Press REV MODE (DECK 2) to select ◀◀.
- 4 Press ▶▶ to start playback.  
Playback continues until ■ is pressed.

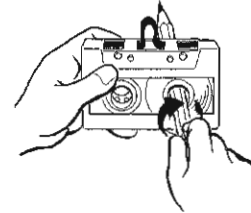
### About cassette tapes

- To prevent accidental erasure, break off the plastic tabs on the cassette tape after recording with a screwdriver or other pointed tool.



To record on the tape again, cover the tab openings with adhesive tape, etc. (On Type II tapes, take care not to cover the Type II tape detection slot.)

- 120-minute or longer tapes are extremely thin and easily deformed or damaged. They are not recommended.
- Take up any slack in the tape with a pencil or similar tool before use. Slack tape may break or jam in the mechanism.

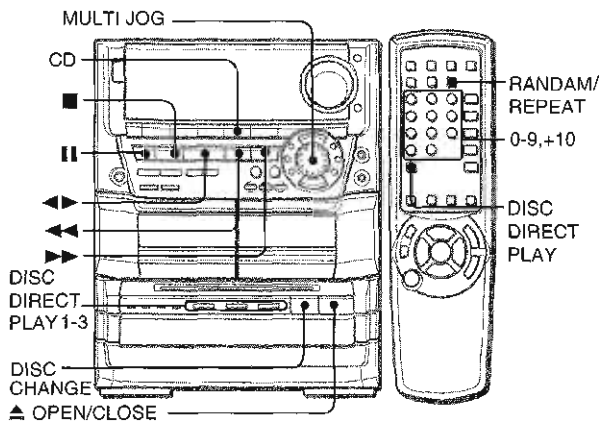


### DOLBY NR system

The Dolby Noise Reduction system reduces tape hiss noise. For optimum performance when playing back a tape recorded with the DOLBY NR system, turn on the DOLBY NR system.

En

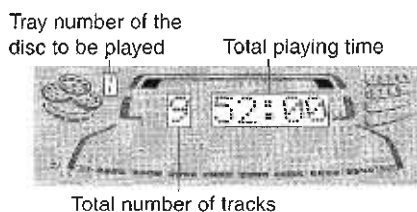
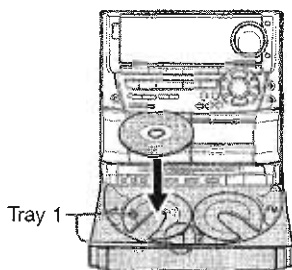
## BASIC OPERATIONS



### LOADING DISCS

Press **CD**, then press **▲ OPEN/CLOSE** to open the disc compartment. Load disc(s) with the label side up.

To play one or two discs, place the discs on tray 1 and 2.  
To play three discs, press **DISC CHANGE** to rotate the trays after placing two discs. Place the third disc on tray 3.  
 Close the disc compartment by pressing **▲ OPEN/CLOSE**.

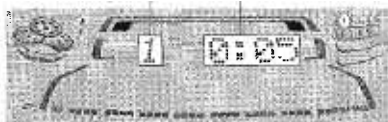


### PLAYING DISCS

Load discs.

To play all discs in the disc compartment, press **◀▶**.  
 Play begins with the disc on tray 1.

Number of track being played      Elapsed playing time



To play one disc only, press **DISC DIRECT PLAY 1-3**.  
 The selected disc is played once.

To play with the remote control

Press **DISC DIRECT PLAY**, then press numbered buttons 1-3 within 3 seconds to select a disc.

To stop play, press **■**.

To pause play, press **||**. To resume play, press again.

To search for a particular point during playback, keep **◀◀** or **▶▶** pressed and release it at the desired point.

To skip to the beginning of a track during playback, press **◀◀** or **▶▶** repeatedly or turn **MULTI JOG**.

To remove discs, press **▲ OPEN/CLOSE**.

To start play when the power is off (Direct Play Function)  
 Press **CD**. The power is turned on and play of the loaded disc(s) begins.

When **▲ OPEN/CLOSE** is pressed, the power is also turned on and the disc compartment is opened.

To check the remaining time

During play, press **CD EDIT/CHECK**. The amount of time remaining until all tracks finish playing is displayed. To restore the playing time display, repeat the above.

Selecting a track with the remote control

1 Press **DISC DIRECT PLAY**, then press numbered buttons 1-3 within 3 seconds to select a disc.

2 Press numbered buttons 0-9 and +10 to select a track.

Example:

To select the 25th track, press +10, +10 and 5.

To select the 10th track, press +10 and 0.

The selected track starts to play and continues to the end of that disc.

Replacing discs during play

While one disc is playing, the other discs can be replaced without interrupting play.

1 Press **DISC CHANGE**.

2 Remove the discs and replace with other discs.

3 Press **▲ OPEN/CLOSE** to close the disc compartment.

#### NOTE

- When loading an 8-cm (3-inch) disc, put it onto the inner circle of the tray.
- Do not place more than one compact disc on one disc tray.
- Do not tilt the unit with discs loaded. Doing so may cause malfunctions.
- Do not use irregular shape CDs (example: heart-shaped, octagonal ones). It may result in malfunctions.

## RANDOM /REPEAT PLAY

Use the remote control.

### RANDOM play

All the tracks on the selected disc or all the discs can be played randomly.


### REPEAT play

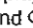
A single disc or all the discs can be played repeatedly.

### Press RANDOM/REPEAT.

Each time it is pressed, the function can be selected cyclically.

**RANDOM play** — RANDOM lights up on the display.

**REPEAT play** —  lights up on the display.


**RANDOM/REPEAT play** — RANDOM and  light up on the display.

**Cancel** — RANDOM and  disappear from the display.

**To play all discs**, press  to start play.

**To play a single disc**, press DISC DIRECT PLAY, then press numbered buttons 1-3 to start play.

### NOTE

During random play it is not possible to skip to the previously played track with .

## BLANK SKIP PLAY

The silent portions between tracks recorded on a CD can be skipped during playback.

### 1 Press CD BLANK SKIP.

"CD BLANK SKIP ON" is displayed and a small dot appears in the display.

Small dot



### 2 Press to start playback.

The silent portions between tracks will be skipped, and the sound will be played back without interruption. If a track fades out (ends with the sound gradually decreasing), the fadeout portion also will be skipped.

### To return to normal playback

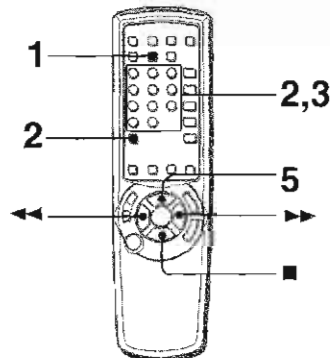
Press CD BLANK SKIP again, and "CD BLANK SKIP OFF" is displayed and the dot in the display disappears.

### NOTE

- There may be a case where BLANK SKIP PLAY does not function correctly.
- BLANK SKIP PLAY is automatically canceled when performing AI EDIT RECORDING (page 22), PROGRAMMED EDIT RECORDING (page 23), or recording during PROGRAMMED PLAY (page 19) or RANDOM PLAY (page 19).

## PROGRAMMED PLAY

Up to 30 tracks can be programmed from any of the inserted discs.



Use the remote control.

### 1 Press PRGM twice in stop mode.

"PRGM" is displayed.

PRGM



- When PRGM is pressed once in step 1, the unit enters the KARAOKE PROGRAM (page 25).

### 2 Press DISC DIRECT PLAY, then press 1-3 within 3 seconds to select a disc.

Go to the next step when the tray stops rotating.

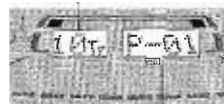
### 3 Press numbered buttons 0-9 and +10 to program a track.

Example:

To select the 25th track, press +10, +10 and 5.

To select the 10th track, press +10 and 0.

Selected track number      Total number of selected tracks



Program number





Total playing time of the selected tracks

### 4 Repeat steps 2 and 3 to program other tracks.

### 5 Press to start play.

### To check the program

Each time  or  is pressed in stop mode, a disc number, track number, and program number will be displayed.

### To clear the program

Press  CLEAR in stop mode.


### To add tracks to the program

Repeat steps 2 and 3 in stop mode. The track will be programmed after the last track.

### To change the programmed tracks

Clear the program and repeat all the steps again.

### To play the programmed tracks repeatedly

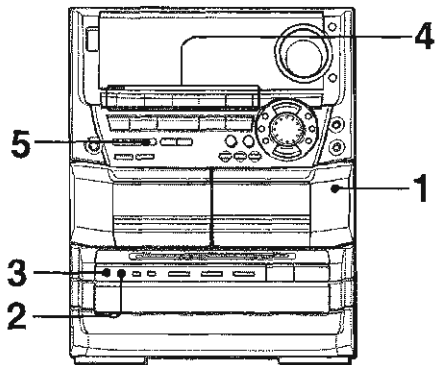
After programming the tracks, press RANDOM/REPEAT repeatedly until  appears on the display.

### NOTE

- During programmed play, you cannot perform random play, check the remaining time, and select a disc or track. "Can't USE" is displayed if you attempt to select a track.
- "FULL" is displayed if you attempt to program more than 30 tracks.

## BASIC RECORDING

This section explains how to record from the tuner, CD player, or external equipment.

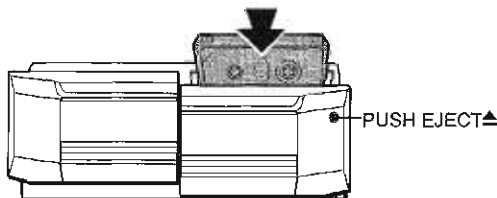


### Preparation

- Use Type I (normal) and Type II (high/CrO<sub>2</sub>) tapes for recording.
- Set the tape to the point where recording will start.

#### 1 Insert the tape to be recorded on into deck 2.

Insert the tape with the side to be recorded on first facing out from the unit.



#### 2 Press REV MODE (DECK 2) to select the reverse mode.

To record on one side only, select  $\overleftarrow{\text{C}}$ .  
To record on both sides, select  $\overleftrightarrow{\text{C}}$  or  $\overrightarrow{\text{C}}$ .

#### 3 Press DOLBY NR to turn Dolby NR on or off.

To record with DOLBY NR, turn on  $\square\square$  NR.  
To record without DOLBY NR, turn off  $\square\square$  NR.

#### 4 Press function (TUNER BAND, VIDEO/AUX, CD or MD) and prepare the source to be recorded.

To record from a CD, press CD and load the disc(s).

To record from a radio broadcast, press TUNER BAND and tune in to a station.

To record from a connected source, press VIDEO/AUX or MD.

#### 5 Press ● REC/REC MUTE to start recording.

When recording from a connected source, start playback of the source.



When the selected function is CD, playback and recording start simultaneously.

To stop recording, press ■.

To pause recording, press  $\text{II}$ . (Applicable when the source is TUNER, VIDEO/AUX or MD.) To resume recording, press it again.

### Sound adjustment during recording

The VOLUME control has no effect on recording. It only sets the level feeding the speakers and headphones. Remember, however, recording takes on the BEAT, AUTO SPICE/FILL IN, SPICE A/B functions, as well as on the BBE function.

## INSERTING BLANK SPACES

Insertion of 4-second blank spaces enables you to activate the Music Sensor function. (Applicable when the source is TUNER, VIDEO/AUX or MD.)

#### 1 Press ● REC/REC MUTE during recording or while in recording pause mode.

**REC** on the display flashes for 4 seconds and 4-second blank space is made. Then, the deck enters the recording pause mode.

#### 2 Press $\text{II}$ to resume recording.

To insert a blank space of less than 4 seconds, press ● REC/REC MUTE again while **REC** is flashing.

To insert blank spaces of more than 4 seconds, after the deck enters recording pause mode, press ● REC/REC MUTE again. Each time the button is pressed, a 4-second blank space is added.

### NOTE

"Can't REC" is displayed if you attempt to record on a tape with the plastic tabs broken off.

### To erase a recording

Remember to unplug the microphone(s). Also, check to make sure that BEAT and AUTO SPICE are switched off (page 9).

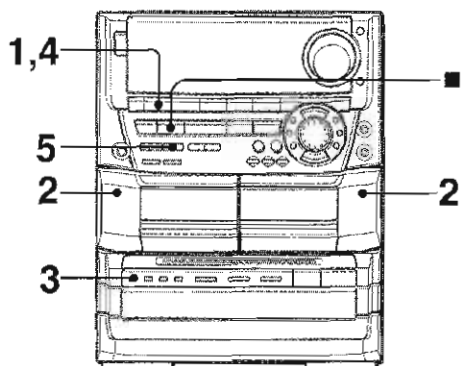
#### 1 Insert the tape to be erased into deck 2 and press TAPE DECK 1/2 to display "TP 2".

#### 2 Set the tape to the point where the erasure is to be started.

#### 3 Set the reverse mode by pressing REV MODE (DECK2).

#### 4 Press ● REC/REC MUTE to start the erasure.

## DUBBING A TAPE MANUALLY



### NOTE

- Set the tape to the point where recording will start.
- The reverse mode is automatically set to  $\Sigma$ .  
Note that recording will be done on one side of the tape only.

#### 1 Press TAPE DECK 1/2.

#### 2 Insert the original tape into deck 1 and the tape to be recorded on into deck 2.

Insert the tapes with the sides to be played back or recorded on facing out from the unit.

#### 3 Press DOLBY NR to turn off the Dolby NR.

□□ NR on the display goes out.

#### 4 Press TAPE DECK 1/2 to select deck 1.

"TP 1" is displayed.

#### 5 Press ● REC/REC MUTE to start recording.

Playing and recording start simultaneously.



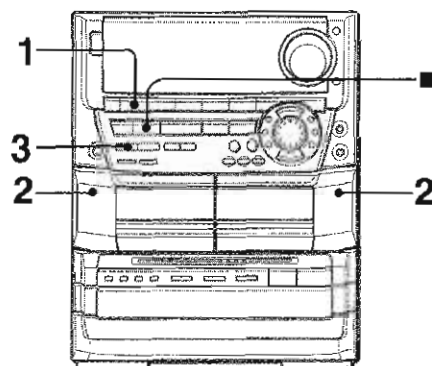
#### To stop dubbing

Press ■.

#### To set the Dolby NR when playing back the dubbed tape

Press DOLBY NR and turn Dolby NR on or off to match the original tape.

## DUBBING THE WHOLE TAPE



This function allows you to make exact copies of both sides of the original tape. The reverse side of both tapes will start simultaneously as soon as the longer tape has been reversed.

### NOTE

- Dubbing does not start from a point halfway in the tape.
- The reverse mode is automatically set to  $\Sigma$ .
- The Dolby NR does not affect recording.

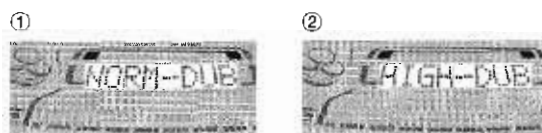
#### 1 Press TAPE DECK 1/2.

#### 2 Insert the original tape into deck 1 and the tape to be recorded on into deck 2.

Insert each tape with the side to be played back or recorded on facing out from the unit.

#### 3 Press SYNC DUB once or twice to start recording.

- ① For recording at normal speed, press it once to display NORM-DUB.
- ② For recording at high speed, press it twice to display HIGH-DUB.



The tapes are rewound to the beginning of the front sides, and recording starts.

#### To stop dubbing

Press ■.

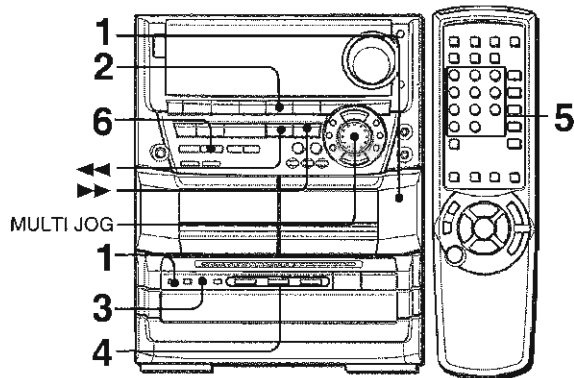
#### To set the Dolby NR when playing back the dubbed tape

Press DOLBY NR and turn Dolby NR on or off to match the original tape.

### NOTE

Recording does not start, if the erasure prevention tab on either side of the tape is broken off.

## AI EDIT RECORDING



The AI edit recording function enables CD recording without worrying about tape length and track length. When a CD is inserted, the unit automatically calculates the total track length. If necessary, the order of tracks is rearranged so that no track is cut short.

(AI: Artificial Intelligence)

### NOTE

AI edit recording will not start from a point halfway into the tape. The tape must be recorded from the beginning of either side.

### 1 Insert the tape into deck 2, and press DOLBY NR to turn Dolby NR on or off.

Insert the tape with the side to be recorded on first facing out from the unit.

### 2 Press CD and load the disc(s).

### 3 Press CD EDIT/CHECK once.

"EDIT" is displayed.



• When "PRGM" is displayed, press CD EDIT/CHECK.

### 4 Press DISC DIRECT PLAY 1-3 to select a disc.

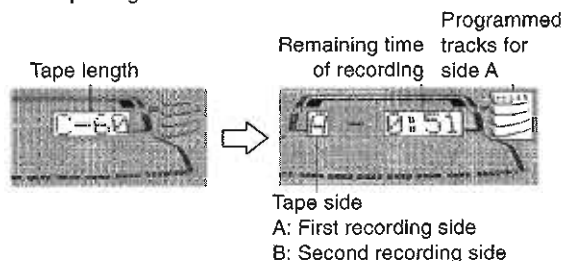
### 5 Press numbered buttons 0-9 on the remote control to designate the tape length.

10 to 99 minutes can be specified.

Example: When using a 60-minute tape, press 6 and 0.

In a few seconds, the tracks to be recorded on each side of the tape are determined.

• ◀▶, ▶▶ or MULTI JOG are also available to designate the tape length.



### 6 Press ● REC/REC MUTE to start recording on the first side.

The tape is rewound to the beginning of the front side, the lead segment is played through for 10 seconds, and recording starts. When recording on the front (side A) ends, recording on the back (side B) starts.

### To stop recording

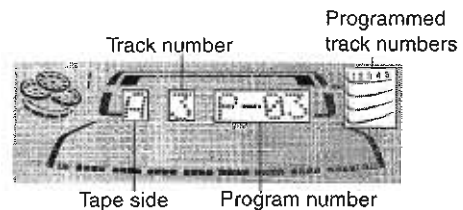
Press ■. Recording and CD play stop simultaneously.

### To clear the edit program

Press ■ CLEAR twice so that "EDIT" disappears on the display.

### To check the order of the programmed track numbers

Before recording, press CD EDIT/CHECK to select side A or B, and press ◀▶ or ▶▶ repeatedly.



### To add tracks from other discs to the edit program

If there is any time remaining on the tape after step 5, you can add tracks from other discs in the CD compartment.

#### 1 Press CD EDIT/CHECK to select side A or B.

#### 2 Press DISC DIRECT PLAY 1-3 to select a disc.

#### 3 Press numbered buttons on the remote control to select tracks.

A track whose playing time is longer than the remaining time cannot be programmed.

#### 4 Repeat steps 2 and 3 to add more tracks.

### Time on cassette tapes and editing time

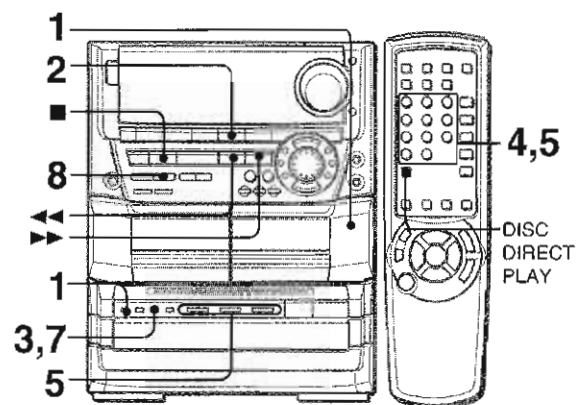
The actual cassette recording time is usually a little longer than the specified recording time printed on the label. This unit can program tracks to use the extra time. When the total recording time is a little longer than the tape's specified recording time after editing, the display shows the extra time (without a minus mark), instead of the time remaining on the tape (with the minus mark).

### NOTE

• The AI edit recording function cannot be used with discs containing 31 tracks or more. "TR OVER" is displayed if this is attempted.

• Recording is inhibited if the erasure prevention tab on either side of the tape is broken off.

# PROGRAMMED EDIT RECORDING



In the programmed edit recording function the tracks can be programmed while checking the remaining time on each side of the tape.

### NOTE

The programmed edit recording will not start from a point halfway in the tape. The tape must be recorded on from the beginning of either side.

**1 Insert the tape into deck 2, and press DOLBY NR to turn Dolby NR on or off.**

Insert the tape with the side to be recorded on first facing out from the unit.

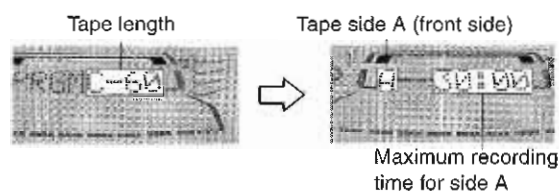
**2 Press CD and load the disc(s).**

**3 Press CD EDIT/CHECK twice.**

"EDIT" and "PRGM" are displayed.  
 • When "AI" is displayed, press CD EDIT/CHECK again.

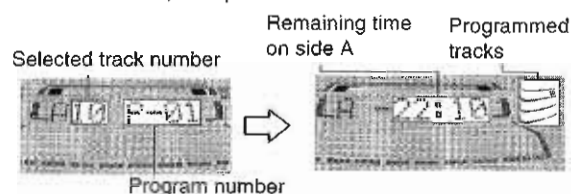
**4 Press numbered buttons on the remote control to designate the tape length.**

10 to 99 minutes can be specified.  
 • The ◀▶, ▶▶ or MULTI JOG are also available to designate the tape length.



**5 Press DISC DIRECT PLAY 1-3 to select a disc. Then, press numbered buttons 0-9 and +10 on the remote control to program a track.**

Example: To select the 10th track of disc 2, press DISC DIRECT PLAY 2, then press +10 and 0.



**6 Repeat step 5 for the rest of the tracks for side A.**  
 A track whose playing time is longer than the remaining time cannot be programmed.

**7 Press CD EDIT/CHECK to select side B and program the tracks for side B.**

After confirming "B" on the display, repeat step 5.

Tape side B (reverse side)



**8 Press ● REC/REC MUTE to start recording.**

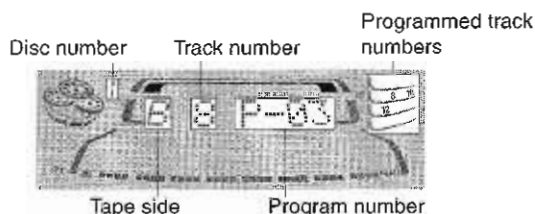
The tape is rewound to the beginning of the front side, the lead segment is played through for 10 seconds, and recording starts. When recording on the front side (A) ends, recording on the back side (B) starts.

### To stop recording

Press ■. Recording and CD play stop simultaneously.

### To check the order of the programmed track numbers

Before recording, press CD EDIT/CHECK to select side A or B, and press ◀▶ or ▶▶ repeatedly.



### To change the program of each side

Press CD EDIT/CHECK to select side A or B, and press ■ CLEAR to clear the program on the selected side. Then program tracks again.

### To clear the edit program

Press ■ CLEAR twice so that "EDIT" disappears on the display.

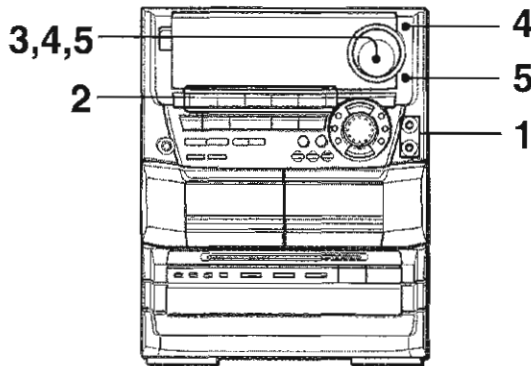
### NOTE

- Up to 30 tracks can be programmed from any of the inserted discs.
- "FULL" is displayed if you attempt to program more than 30 tracks.
- Recording is inhibited if the erasure prevention tab on either side of the tape is broken off.

RECORDING

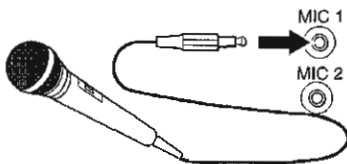
En

## MICROPHONE MIXING



Two microphones (not supplied) can be connected to this unit, allowing you to sing along to music sources. Use microphones with mini plugs ( $\varnothing 3.5$  mm,  $1/8$  inch).

**1 Connect your microphones to MIC 1 and MIC 2 jacks.**



**2 Press one of the function buttons to select the source to be mixed, and play the source.**

**3 Adjust the volume and tone of the source.**

**4 Press MIC and turn VOLUME within 4 seconds to adjust the microphone volume.**

The microphone volume can be selected from 1 to MAX (7) or OFF (cancel).  
The volume of both microphones is adjusted simultaneously.

**5 Press ECHO and turn VOLUME within 4 seconds to adjust the echo level.**

The echo level can be selected from 1 to MAX (7) or OFF (cancel).

### To change the delay time of echo

Hold down **ECHO** while the echo is on. "L" (Long) and "M" (Middle) are displayed alternately. At the desired position, release the button.

**To record microphone sound mixed with source sound**  
Follow the procedure for recording from the sound source (see page 20).

**SYNC DUB** cannot be used for mixing recording.

### When not using the microphones

Set the microphone volume and echo level to OFF and remove the microphones from **MIC** jacks.

### NOTE

- When the **MIC** or **ECHO** level is changed, the **SURROUND** mode is automatically canceled.
- If a microphone is held too near the speakers, a howling sound may be produced. In this case, hold the microphone away from the speakers, or decrease the microphone volume.
- If sound through the microphone is extremely loud, it may be distorted. In this case, decrease the microphone volume.
- When the function is changed, the microphone volume and the echo volume are set to off.

### Recommended microphones

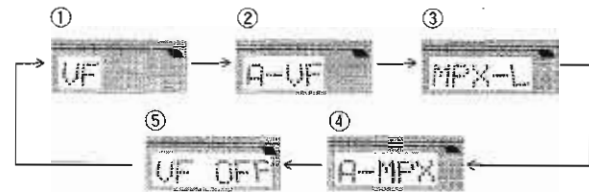
The use of unidirectional type microphones is recommended to prevent howling. Contact your local Aiwa dealer for details.

## VOCAL FADER/MULTIPLEX FUNCTIONS

This unit can use discs or tapes as Karaoke sources. Use the vocal fader function for ordinary discs or tapes. Use the multiplex function for multi audio discs or tapes.

**Press KARAOKE repeatedly to select the vocal fader or multiplex function.**

Each time **KARAOKE** is pressed, one of these functions is selected cyclically.



### ① Vocal Fader

The singer's voice becomes softer than the accompaniment.

### ② Auto Vocal Fader

The singer's voice becomes softer only while there is audio input through a microphone.

### ③ Multiplex

Only the sound on the left channel is heard from both speakers, and the sound on the right channel is muted.

### ④ Auto Multiplex

The sound on the left channel is heard from both speakers, and the sound on the right channel is muted only while there is audio input through a microphone.

### ⑤ Cancel

### To change the time lag setting in Auto Vocal Fader or Auto Multiplex function

The muted singer's voice can be restored faster. When Auto Vocal Fader or Auto Multiplex is selected, "A-VF" or "A-MPX" is displayed for 3 seconds and changes to the selected function name. After the selected function name is displayed, keep pressing KARAOKE until **FAST** is displayed. To return to the initial setting, select **SLOW**. When the power is turned off, **SLOW** is restored.

### To change the audible channel in Multiplex function

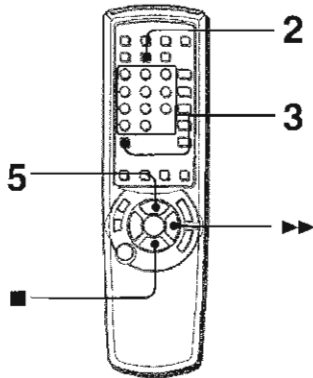
When Multiplex is selected, "MPX -L" is displayed for 3 seconds and changes to the selected function name. After the selected function name is displayed, keep pressing KARAOKE until **MPX-R** is displayed. To return to the initial setting, select **MPX-L**. When the power is turned off, **MPX-L** is restored.

### NOTE

- The Karaoke functions may not operate correctly with the following kinds of CDs or tapes.
  - Those with monaural sound
  - Those recorded with strong echoes
  - Those with the vocal part recorded on the right or left side of the sound width
- While the Karaoke function is on, the sound is output as monaural.
- When the function is changed, the Karaoke function is canceled.



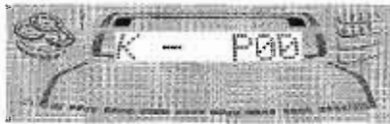
# KARAOKE PROGRAM



Before or during CD play, you can reserve up to 15 tracks to be played after the current track. Each reservation is cleared when it finishes playing.

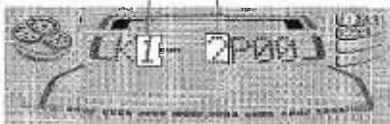
Use the remote control.

- 1 Press **CD** and load the discs.
- 2 Press **PRGM** once .



- 3 Press **DISC DIRECT PLAY 1-3**, and press numbered buttons 1-3 to select a disc. Then, press numbered buttons 0-9 and + 10 to program a track.

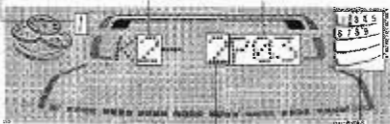
Reserved disc number      Reserved track number



- 4 Repeat step 3 to reserve other tracks.
- 5 Press **◀▶** to start play.

After a track is played, it is cleared from the program.

Currently playing disc      Disc number of the last reservation      Number of remaining reserved tracks



Track number of the last reservation      Currently playing track number flashes

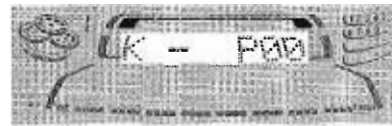
**To add a reservation during play**  
Repeat step 3.

**To check the reserved tracks**  
Press **CD EDIT/CHECK** repeatedly. Each time it is pressed, the disc number and track number are displayed in the reserved order.

**To stop play**  
Press **■**.  
When **◀▶** is pressed, the play starts from the last track again.

**To skip a current track**  
Press **▶▶**. The skipped track is cleared from the program.

**To clear all the reservations**  
Press **▶▶** repeatedly until "K - P00" is displayed.

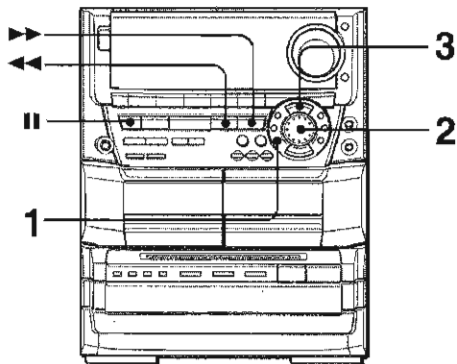


Press it once more to cancel the Karaoke programs. The display returns to that of CD play.

### NOTE

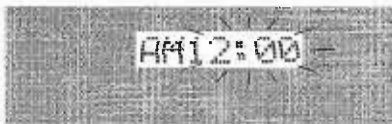
- If the reserved track number does not exist on the selected disc, the unit stops playing and the display flashes. In this case, press **▶▶** to skip the error track. Then press **◀▶** to start play with the next reserved track.
- When **PRGM** is pressed repeatedly in step 1. **PRGM** is displayed and the unit enters CD program play mode (page 19).  
To cancel program play, press **■ CLEAR**.

**SETTING THE CLOCK**



The clock is displayed. (The “:” between the hours and minutes flashes.) When the power cord is plugged into an AC outlet for the first time after purchase or when the clock setting is canceled due to a power failure, the entire clock display flashes.

**1 Press CLOCK.**



**2 Within 4 seconds, turn MULTI JOG to designate the hour and the minute.**

Turning MULTI JOG changes both the hour and the minute. ◀◀ or ▶▶ is also available instead of MULTI JOG. Holding these buttons down will vary the time rapidly.

**3 Press ENTER or ■.**

The clock starts from 00 seconds.

**To restore an original clock setting**

Press **CLOCK** before completing step 3 to restore the previous time setting. This cancels any new setting.

**To view the clock when another display is in the display**  
Press **CLOCK**. The time is displayed for 4 seconds and then the original display reappears. However, the clock cannot be displayed during recording.

**To switch to the 24-hour standard**

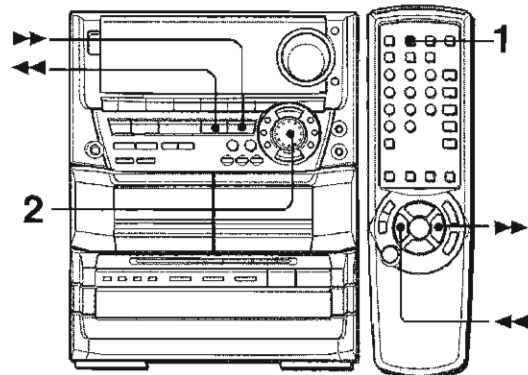
Press the **CLOCK** and then press ■ within 4 seconds. Repeat the same procedure to restore the 12-hour standard.

**If the clock display flashes**  
This is caused by a power interruption. The current time needs to be reset.  
If power is interrupted for more than approximately 24 hours, all settings stored in memory after purchase need to be reset.

**NOTE**

If the power-economizing mode (page 7) is on, all the display lights turn off when the power is turned off. To view the clock, press **CLOCK** so that the time is displayed for 4 seconds.

**SETTING THE SLEEP TIMER**



The unit can be turned off automatically at a specified time.

Use the remote control.

**1 Press SLEEP.**



**2 Within 4 seconds, turn MULTI JOG to specify the time until the power is turned off.**

The time changes between 5 and 240 minutes in 5-minute steps.

◀◀ and ▶▶ are also available instead of MULTI JOG.

Specified time



While the timer is in operation, the display indication is dimmer than usual.

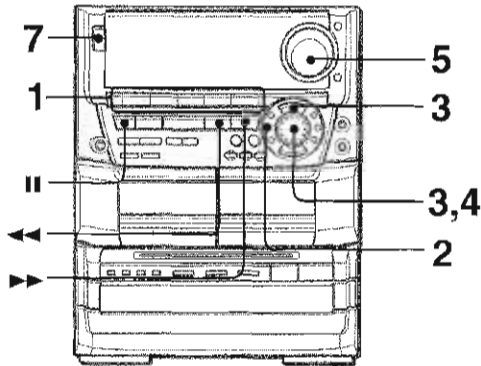
**To check the time remaining until the power is turned off**

Press **SLEEP** once. The remaining time is displayed for 4 seconds.

**To cancel the sleep timer**

Press **SLEEP** twice so that “SLEEP OFF” appears on the display.

## SETTING THE TIMER



The unit can be turned on at a specified time every day with the built-in timer.

### Preparation

Make sure the clock is set correctly.

#### 1 Press one of the function buttons to select a source.

- If TUNER BAND is pressed, the band cannot be selected in this step.

#### 2 Press TIMER repeatedly until ☺ appears on the display.

Time and audio source name flash alternately.



#### 3 Within 6 seconds, turn MULTI JOG to designate the timer-on time, then press ENTER or ||.

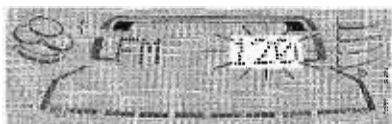
Turning MULTI JOG changes both the hour and the minute. ◀◀ or ▶▶ is also available instead of MULTI JOG. Holding these buttons down will vary the time rapidly.



#### 4 Within 4 seconds, turn MULTI JOG to select the duration for the timer-activated period.

The duration can be set between 5 and 240 minutes in 5-minute steps.

◀◀ or ▶▶ is also available instead of MULTI JOG.



The duration will be automatically set after 4 seconds. It will also be set if ENTER or || is pressed within 4 seconds after step 4.

#### 5 Adjust the volume.

The source sound will play at the volume level set in this step when the power is turned on by the timer.

If the volume level is set to 21 or higher, however, it will automatically be set to 20 when the power is turned on.

#### 6 Prepare the source.

To listen to a CD, load the disc to be played first on tray 1.

To listen to a tape, insert the tape into deck 1 or 2.

To listen to the radio, tune in to a station.

#### 7 Press POWER to turn off the power.

When the timer-on time is reached, the unit turns on and begins play with the selected source.

### NOTE

You can change the source that was selected in step 1 by pressing one of the function buttons before pressing ENTER or || in step 3.

#### To check the timer setting

Press TIMER.

The selected source, the timer-on time, and the duration for the timer-activated period will be displayed for 4 seconds.

#### To change any of the previous setting

Carry out from step 1.

However, if you do not change the timer-on time, in step 3 just press ENTER twice and continue from step 4.

#### To cancel the timer standby mode temporarily

Press TIMER repeatedly so that ☺ disappears.

To restore the timer standby mode, press again to display ☺.

#### Using the unit while the timer is set

You can use the unit normally after setting the timer.

Before turning off the power, carry out step 5 and 6.

### NOTE

- Timer playback and timer recording will not begin unless the power is turned off.
- Connected equipment cannot be turned on and off by the built-in timer of this unit. Use an external timer.

## TIMER RECORDING

Timer recording is applicable for TUNER and VIDEO/AUX (with an external timer) sources only.

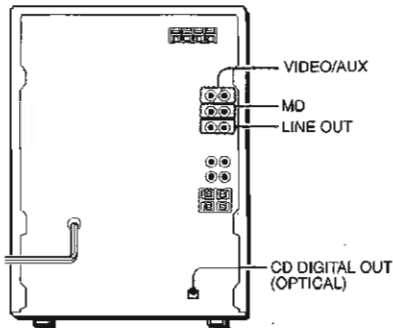
Press either TUNER BAND or VIDEO/AUX to select a source, then press TIMER repeatedly until ☺REC lights up on the display. Within 6 seconds, carry out the steps of "SETTING THE TIMER" from step 3 and insert the tape to be recorded on into deck 2 after step 6.

### NOTE

- When the power-economizing mode (page 7) has been turned on, the timer recording volume level will be 0 (minimum level).
- You cannot use the timer function to record from a CD or tape.

## OTHER CONNECTIONS

### CONNECTING OPTIONAL EQUIPMENT



Refer to the operating instructions of the connected equipment for details.

- The connecting cords are not supplied. Obtain the necessary connecting cords.
- Consult your local Aiwa dealer for optional equipment.

### VIDEO/AUX JACKS

This unit can input analog sound signals through these jacks. Use a cable with RCA phono plugs to connect audio equipment (turntables, LD players, MD players, VCRs, TV, etc.). Connect the red plug to the VIDEO/AUX R jack, and the white plug to the VIDEO/AUX L jack.

#### When connecting a turntable

Use an Aiwa turntable equipped with a built-in equalizer amplifier.

### MD JACKS

This jack is recommended to connect with an MD player. Use a cable with RCA phono plugs. Connect the red plug to the MD R jack, and the white plug to the MD L jack.

### LINE OUT JACKS

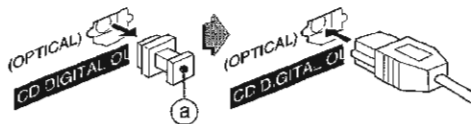
This unit can output analog sound signal through these jacks. Use a cable with RCA phono plugs to connect audio equipment with LINE IN (analog input) jacks. Connect the red plug of a cable to LINE OUT R jack, and the white plug to LINE OUT L jack.

#### NOTE

Do not connect an equipment to LINE OUT jacks and VIDEO/AUX jacks simultaneously. Otherwise, noise is generated and malfunction occurs.

### CD DIGITAL OUT (OPTICAL) JACK

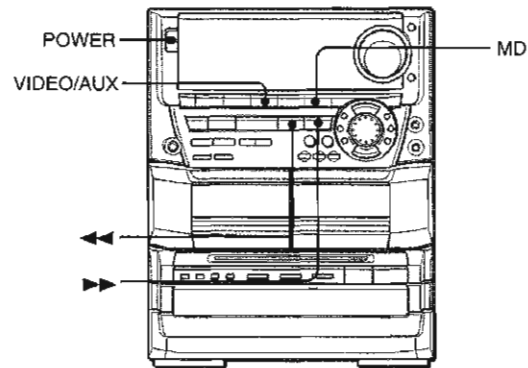
This unit can output CD digital sound signals through this jack. Use an optical cable to connect digital audio equipment (DAT deck, MD recorder, etc.). Remove the dust cap (a) from the CD DIGITAL OUT (OPTICAL) jack. Then, connect an optical cable plug to the CD DIGITAL OUT (OPTICAL) jack.



When the CD DIGITAL OUT (OPTICAL) jack is not being used

Attach the supplied dust cap.

### LISTENING TO EXTERNAL SOURCES



To play equipment connected to VIDEO/AUX jacks or MD jacks proceed as follows.

#### 1 Press VIDEO/AUX or MD.

To play the equipment connected to VIDEO/AUX, press VIDEO/AUX. "VIDEO" appears on the display.

To play the equipment connected to MD, press MD. "MD" appears on the display.

#### 2 Play the connected equipment.

#### To change a source name in the display

When VIDEO/AUX is pressed, "VIDEO" is displayed initially. It can be changed to "AUX" or "TV".

With the power on, press POWER while pressing VIDEO/AUX. Repeat the procedure to select one of the names.

#### To adjust the sound level of the external source

When the sound level of the external source is much higher or much lower than that of other function sources, adjust it as follows.

- 1 Press VIDEO/AUX or MD and play the equipment.
- 2 Press ◀ or ▶ so that the sound level becomes the same as that of other function sources.

#### NOTE

During recording, the sound level can not be adjusted.

## CARE AND MAINTENANCE

Occasional care and maintenance of the unit and the software are needed to optimize the performance of your unit.

### To clean the cabinet

Use a soft and dry cloth.

If the surfaces are extremely dirty, use a soft cloth lightly moistened with mild detergent solution. Do not use strong solvents, such as alcohol, benzene or thinner as these could damage the finish of the unit.

### To clean the tape heads

When the tape heads are dirty;

- high frequency sound is not emitted
- the sound is not adequately high
- the sound is off-balance
- the tape cannot be erased
- the tape cannot be recorded on

After every 10 hours of use, clean the tape heads with a head cleaning cassette.

Refer to the instructions of the cleaning cassette for details.

### To demagnetize the tape heads

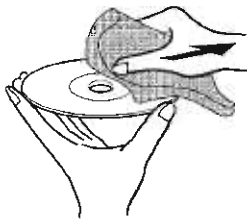
The tape heads may become magnetized after long-term use. This may narrow the output range of recorded tapes and increase noise.

After every 20 to 30 hours of use, demagnetize the tape heads with a separately sold demagnetizing cassette.

Refer to the instructions of the demagnetizing cassette for details.

### Care of discs

- When a disc becomes dirty, wipe the disc from the center out with a cleaning cloth.



- After playing a disc, store the disc in its case. Do not leave the disc in places that are hot or humid.

### Care of tapes

- Store tapes in their cases after use.
- Do not leave tapes near magnets, motors, television sets, or any source of magnetism. This will downgrade the sound quality and cause noise.
- Do not expose tapes to direct sunlight, or leave them in a car parked in direct sunlight.

## TROUBLESHOOTING GUIDE

If the unit fails to perform as described in these Operating Instructions, check the following guide.

### GENERAL

#### There is no sound.

- Is the AC cord connected properly?
- Is there a bad connection? (→ page 4)
- There may be a short circuit in the speaker terminals.
  - Disconnect the AC cord, then correct the speaker connections.
- Was an incorrect function button pressed?

#### Sound is emitted from one speaker only.

- Is the other speaker disconnected?

#### The output sound is not stereo.

- Is the Karaoke function turned on? (→ page 24)

#### An erroneous display or a malfunction occurs.

- Reset the unit as stated below.

#### The power is not turned on.

- Disconnect the AC cord, and connect it again in a few seconds.

### TUNER SECTION

#### There is constant, wave-like static.

- Is the antenna connected properly? (→ page 5)
- Is the signal weak?
  - Connect an outdoor antenna.

#### The reception contains noise interferences or the sound is distorted.

- Is the system picking up external noise or multipath distortion?
  - Change the orientation of the antenna.
  - Move the unit away from other electrical appliances.

### CASSETTE DECK SECTION

#### The tape does not run.

- Is deck 2 in pause mode? (→ page 16)

#### The sound is off-balance or not adequately high.

- Is the playback head dirty? (→ page 29)

#### Recording is not possible.

- Is the erasure prevention tab on the tape broken off? (→ page 20)
- Is the recording head dirty? (→ page 29)

#### Erasure is not possible.

- Is the erasure head dirty? (→ page 29)
- Is a metal tape being used?

#### High frequency sound is not emitted.

- Is the recording/playback head dirty? (→ page 29)
- Is a tape recorded without Dolby NR played back with the Dolby NR system operating? (→ page 20)

### CD PLAYER SECTION

#### The CD player does not play.

- Is the disc correctly placed? (→ page 18)
- Is the disc dirty? (→ page 29)
- Is the lens affected by condensation?
  - Wait approximately one hour and try again.

#### To reset

If an unusual condition occurs in the display window or the cassette decks, reset the unit as follows.

- 1 Press **POWER** to turn off the power.
- 2 Press **POWER** to turn the power back on while pressing **■ CLEAR**. Everything stored in memory after purchase is canceled.

If the power cannot be turned off in step 1 because of a malfunction, reset by disconnecting the AC cord, and connect it again. Then carry out step 2.

# SPECIFICATIONS

## Main unit CX-NA999

### FM tuner section

Tuning range	87.5 MHz to 108 MHz
Usable sensitivity (IHF)	13.2 dBf
Antenna terminals	75 ohms (unbalanced)

### AM tuner section

Tuning range	530 kHz to 1710 kHz (10 kHz step) 531 kHz to 1602 kHz (9 kHz step)
Usable sensitivity	350 µV/m
Antenna	Loop antenna

### Amplifier section

#### Mid-high frequency amplifier

Power output	30 W + 30 W (200 Hz – 20 kHz, THD less than 1%, 6 ohms)
Total harmonic distortion	0.1 % (15 W, 1 kHz, 6 ohms, DIN AUDIO)

#### Low frequency amplifier

Power output	90 W + 90 W (50 Hz – 200 Hz, THD less than 1%, 6 ohms)
Total harmonic distortion	0.1 % (45 W, 100 Hz, 6 ohms, DIN AUDIO)

#### Inputs

VIDEO/AUX: 316 mV (adjustable)  
MD: 316 mV (adjustable)  
MIC 1, MIC 2: 1.0 mV (10 k ohms)  
SPEAKERS HIGH FREQ:  
accept speakers of 6 ohms or more  
SPEAKERS LOW FREQ:  
accept speakers of 6 ohms or more  
SURROUND SPEAKERS:  
accept speakers of 8 ohms to 16 ohms  
LINE OUT: 150 mV  
PHONES (stereo jack): accepts headphones of 32 ohms or more

#### Outputs

### Cassette deck section

Track format	4 tracks, 2 channels stereo
Frequency response	CrO <sub>2</sub> tape: 50 Hz – 16000 Hz Normal tape: 50 Hz – 15000 Hz AC bias
Recording system	Deck 1: Playback head × 1 Deck 2: Recording/playback head × 1, erase head × 1

### Compact disc player section

Laser	Semiconductor laser (λ = 780 nm)
D-A converter	1 bit dual
Signal-to-noise ratio	85 dB (1 kHz, 0 dB)
Harmonic distortion	0.05 % (1 kHz, 0 dB)
Wow and flutter	Unmeasurable

### General

Power requirements	120 V AC, 60 Hz
Power consumption	170 W
Dimensions of main unit (W × H × D)	260 × 324 × 340 mm (10 1/4 × 12 7/8 × 13 1/2 in.)
Weight of main unit	11 kg (24 lbs 4 oz.)

Standby power consumption	With power-economizing mode off: 36 W With power-economizing mode on: 1.5 W
---------------------------	--

## Speaker system SX-WNA999


Cabinet type	4 way, built-in subwoofer (magnetic shielded type)
Speakers	Subwoofer: 200 mm (7 7/8 in.) cone type Woofer: 120 mm (4 3/4 in.) cone type Tweeter: 60 mm (2 3/8 in.) cone type Super tweeter: 20 mm (1 3/16 in.) ceramic type
Impedance	6 ohms/6 ohms
Output sound pressure level	87 dB/W/m
Dimensions (W × H × D)	240 × 354 × 319 mm (9 1/2 × 14 × 12 5/8 in.)
Weight	7.0 kg (15 lbs 7 oz.)

Specifications and external appearance are subject to change without notice.

### BBE SYSTEM

The word "BBE" and the "BBE symbol" are trademarks of BBE Sound, Inc.  
Under license from BBE Sound, Inc.

### DOLBY NR

Dolby noise reduction manufactured under license from Dolby Laboratories Licensing Corporation.  
"DOLBY" and the double-D symbol  are trademarks of Dolby Laboratories Licensing Corporation.

### COPYRIGHT

Please check the laws on copyright relating to recordings from discs, radio or external tape for the country in which the machine is being used.

### NOTE

This equipment has been tested and found to comply with the limits for a Class B digital device, pursuant to Part 15 of the FCC Rules. These limits are designed to provide reasonable protection against harmful interference in a residential installation. This equipment generates, uses, and can radiate radio frequency energy and, if not installed and used in accordance with the instructions, may cause harmful interference to radio communications. However, there is no guarantee that interference will not occur in a particular installation. If this equipment does cause harmful interference to radio or television reception, which can be determined by turning the equipment off and on, the user is encouraged to try to correct the interference by one or more of the following measures:

- Reorient or relocate the receiving antenna.
- Increase the separation between the equipment and receiver.
- Connect the equipment into an outlet on circuit different from that to which the receiver is connected.
- Consult the dealer or an experienced radio/TV technician for help.

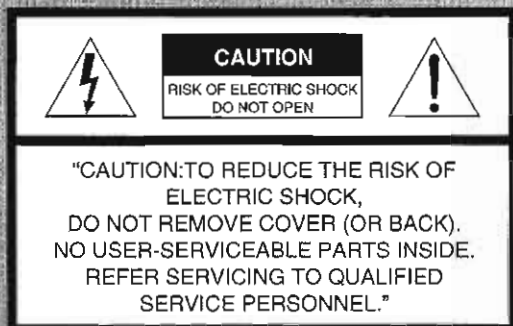
### CAUTION

Modifications or adjustments to this product, which are not expressly approved by the manufacturer, may void the user's right or authority to operate this product.



## ADVERTENCIA

PARA REDUCIR EL RIESGO DE INCENDIOS O SACUDIDAS ELECTRICAS, NO EXPONGA ESTE APARATO A LA LLUVIA NI A LA HUMEDAD.



### Explicación de los símbolos gráficos:



El símbolo del rayo con punta de flecha, en el interior de un triángulo equilátero, tiene la finalidad de avisar al usuario de la presencia de "tensiones peligrosas" sin aislar en el interior del producto que podrían ser de suficiente magnitud como para constituir un riesgo de sacudida eléctrica para las personas.



El signo de exclamación en el interior de un triángulo equilátero tiene la finalidad de avisar al usuario de la presencia de instrucciones de operación y mantenimiento (reparación) en el material impreso que acompaña al aparato.

### Anotación del propietario


Para su conveniencia, anote el número de modelo y el número de serie (los encontrará en el panel trasero de su aparato) en el espacio suministrado más abajo. Menciónelos cuando se ponga en contacto con su concesionario Aiwa en caso de tener dificultades.

N.º de modelo	N.º de serie (N.º de lote)
CX-NA999	
SX-WNA999	
SX-R275	

## PRECAUCIONES

Lea cuidadosa y completamente el manual de instrucciones antes de utilizar la unidad. Asegúrese de guardar el manual de instrucciones para utilizarlo como referencia en el futuro. Todas las advertencias y precauciones del manual de instrucciones y de la unidad deberán cumplirse estrictamente, así como también las sugerencias de seguridad mencionadas más abajo.

### Instalación

- Agua y humedad** — No utilice esta unidad cerca del agua como, por ejemplo, cerca de una bañera, una palangana, una piscina o algo similar.
- Calor** — No utilice esta unidad cerca de fuentes de calor, incluyendo salidas de aire caliente, estufas u otros aparatos que generen calor.  
No deberá colocarse tampoco en lugares donde la temperatura sea inferior a 5°C o superior a 35°C.
- Superficie de montaje** — Ponga la unidad sobre una superficie plana y nivelada.
- Ventilación** — La unidad deberá situarse donde tenga suficiente espacio libre a su alrededor, para que la ventilación apropiada quede asegurada. Deje un espacio libre de 10 cm por la parte posterior y superior de la unidad, y 5 cm por cada lado.
  - No ponga la unidad sobre una cama, una alfombra o superficies similares que podrían tapan las aberturas de ventilación.
  - No instale la unidad en una librería, mueble o estantería cerrada herméticamente donde la ventilación no sea adecuada.
- Entrada de objetos y líquidos** — Tenga cuidado de que objetos y líquidos no entren en la unidad por las aberturas de ventilación.
- Carros de mano y soportes** — Cuando ponga o monte la unidad en un soporte o carro de mano, ésta deberá moverse con mucho cuidado.  
Las paradas repentinas, la fuerza excesiva y las superficies irregulares pueden hacer que la unidad o el carro de mano se dé vuelta o se caiga. 
- Condensación** — En la lente del fonocaptor del reproductor de discos compactos tal vez se forme condensación cuando:
  - La unidad se pase de un lugar frío a uno caliente.
  - El sistema de calefacción se acabe de encender.
  - La unidad se utilice en una habitación muy húmeda.
  - La unidad se enfríe mediante un acondicionador de aire.
 Esta unidad tal vez funcione mal cuando tenga condensación en su interior. En este caso, deje en reposo la unidad durante unas pocas horas y repita de nuevo la operación.
- Montaje en pared o techo** — La unidad no se deberá montar en una pared ni en el techo, a menos que se especifique lo contrario en el manual de instrucciones.

### Energía eléctrica

- Fuentes de alimentación** — Conecte solamente esta unidad a las fuentes de alimentación especificadas en el manual de instrucciones, y como está marcado en la unidad.
- Polarización** — Como característica de seguridad, algunas unidades están equipadas con clavijas de alimentación de CA polarizadas, las cuales sólo se pueden insertar de una forma en las tomas de corriente. Si resulta difícil o imposible insertar la clavija de alimentación de CA en una toma de corriente, dé vuelta a la clavija e inténtelo de nuevo. Si sigue sin poder insertar fácilmente la clavija en la toma de corriente, llame a un electricista cualificado para que modifique o reemplace la toma de corriente. Para evitar anular la característica de seguridad de la clavija polarizada, no la inserte a la fuerza en una toma de corriente.



### 3 Cable de alimentación de CA

- Cuando desconecte el cable de alimentación de CA, sujete la clavija de alimentación de CA y tire de ella. No tire del propio cable.
- Nunca maneje la clavija de alimentación de CA con las manos mojadas porque podría producirse un incendio o una sacudida eléctrica.
- Los cables de alimentación deberán colocarse de forma que no sean doblados excesivamente, pellizcados o pisados. Tenga mucho cuidado con el cable que va de la unidad a la toma de corriente.
- Evite sobrecargar las tomas de CA y los cables de extensión más allá de su capacidad porque esto podría causar un incendio o una sacudida eléctrica.

4 **Cable de extensión** — Para evitar sacudidas eléctricas, no utilice la clavija de alimentación de CA polarizada con un cable de extensión, ni tampoco en un receptáculo u otra toma de corriente a menos que la clavija polarizada pueda insertarse completamente evitando que sus patillas queden expuestas.

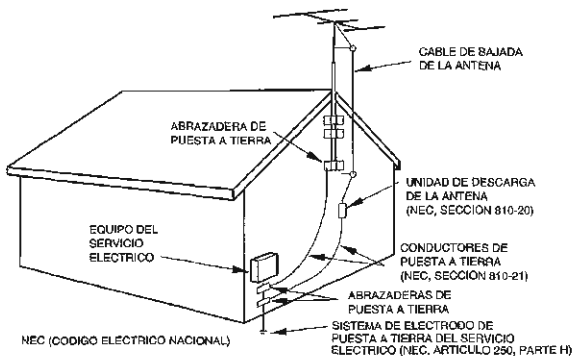
5 **Periodos de no utilización** — Desenchufe el cable de alimentación de CA de la toma de corriente si la unidad no va a ser utilizada durante varios meses o más. Cuando el cable de alimentación esté conectado, por la unidad continuará circulando una pequeña cantidad de corriente, aunque la alimentación esté desconectada.

### Antena exterior

1 **Líneas de alta tensión** — Cuando conecte una antena exterior, asegúrese de colocarla lejos de las líneas de alta tensión.

2 **Conexión a tierra de la antena exterior** — Asegúrese de que el sistema de la antena esté conectado correctamente a tierra para proporcionar así una protección contra el exceso inesperado de tensión o contra la acumulación de electricidad estática. El artículo 810 del Código Eléctrico Nacional, ANSI/NFPA70, proporciona información acerca de la puesta a tierra apropiada del mástil de la antena, la estructura de apoyo y el cable de bajada a la unidad de descarga de la antena, así como también del tamaño de la unidad de puesta a tierra, la conexión de los terminales de puesta a tierra y los requisitos para conectar a tierra los mismos terminales.

Puesta a tierra de la antena según el Código Eléctrico Nacional



### Mantenimiento

Limpie la unidad sólo como se recomienda en el manual de instrucciones.

### Daños que necesitan ser reparados

Haga que un técnico en reparaciones cualificado le repare las unidades si:

- El cable de alimentación de CA o su clavija está estropeado.
- Objetos extraños o líquidos han entrado en la unidad.
- La unidad ha estado expuesta a la lluvia o al agua.
- La unidad no parece funcionar normalmente.
- La unidad muestra un cambio considerable en sus prestaciones.
- La unidad se ha caído o la caja se ha estropeado.

**NO TRATE DE REPARAR LA UNIDAD USTED MISMO.**

## INDICE

PRECAUCIONES .....	2
<b>PREPARATIVOS</b>	
CONEXIONES .....	4
CONTROL REMOTO .....	6
ANTES DE LA OPERACION .....	6
<b>SONIDO</b>	
AJUSTES DE AUDIO .....	9
FUNCION DE REPRODUCCION CON PATRON DE RITMO (BEAT MASTER DX) .....	9
ECUALIZADOR GRAFICO .....	13
DSP SURROUND .....	14
<b>RECEPCION DE LA RADIO</b>	
SINTONIZACION MANUAL .....	15
PREAJUSTE DE EMISORAS .....	15
<b>REPRODUCCION DE CINTAS</b>	
OPERACIONES BASICAS .....	16
REPRODUCCION CONTINUA .....	17
<b>REPRODUCCION DE DISCOS COMPACTOS</b>	
OPERACIONES BASICAS .....	18
REPRODUCCION PROGRAMADA .....	19
<b>GRABACION</b>	
GRABACION BASICA .....	20
COPIADO MANUAL DE UNA CINTA .....	21
COPIADO DE TODA LA CINTA .....	21
GRABACION CON EDICION AI .....	22
GRABACION CON EDICION PROGRAMADA .....	23
<b>KARAOKE</b>	
MEZCLA MICROFONICA .....	24
PROGRAM DE KARAOKE .....	25
<b>RELOJ Y TEMPORIZADOR</b>	
PUESTA EN HORA DEL RELOJ .....	26
AJUSTE DEL TEMPORIZADOR PARA DORMIR .....	26
AJUSTE DEL TEMPORIZADOR .....	27
<b>OTRAS CONEXIONES</b>	
CONEXION DE UN EQUIPO OPCIONAL .....	28
ESCUCHA DE FUENTES DE SONIDO EXTERNAS .....	28
<b>GENERALIDADES</b>	
CUIDADOS Y MANTENIMIENTO .....	29
GUIA PARA LA SOLUCION DE PROBLEMAS .....	29
ESPECIFICACIONES .....	30
INDICE DE LAS PARTES .....	Cubierta trasera

# CONEXIONES

Compruebe su sistema y los accesorios.

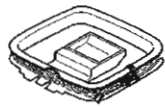
**NSX-A999**

- CX-NA999 Sintonizador, amplificador, platina de cassette y reproductor de discos compactos estéreo
- SX-WNA999 Altavoces delanteros
- SX-R275 Altavoces de sonido ambiental

Control remoto



Antena de AM



Antena de FM



Manual de instrucciones, etc.

**Antes de conectar el cable de CA**

La tensión nominal de su unidad, mostrada en el panel trasero, es de 120 V CA. Compruebe que esta tensión nominal concuerde con la tensión de su localidad.

**IMPORTANTE**

Conecte primero los altavoces, las antenas y todos los demás equipos opcionales. Luego conecte el cable de CA.

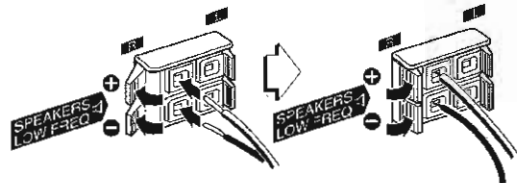
No hay diferencias entre los altavoces delanteros. Ambos pueden conectarse como altavoz izquierdo (L) o derecho (R).

**1 Conecte el altavoz derecho a la unidad principal.**

- ① Conecte el cable de altavoz con clavija al terminal **SPEAKERS HIGH FREQ R**.

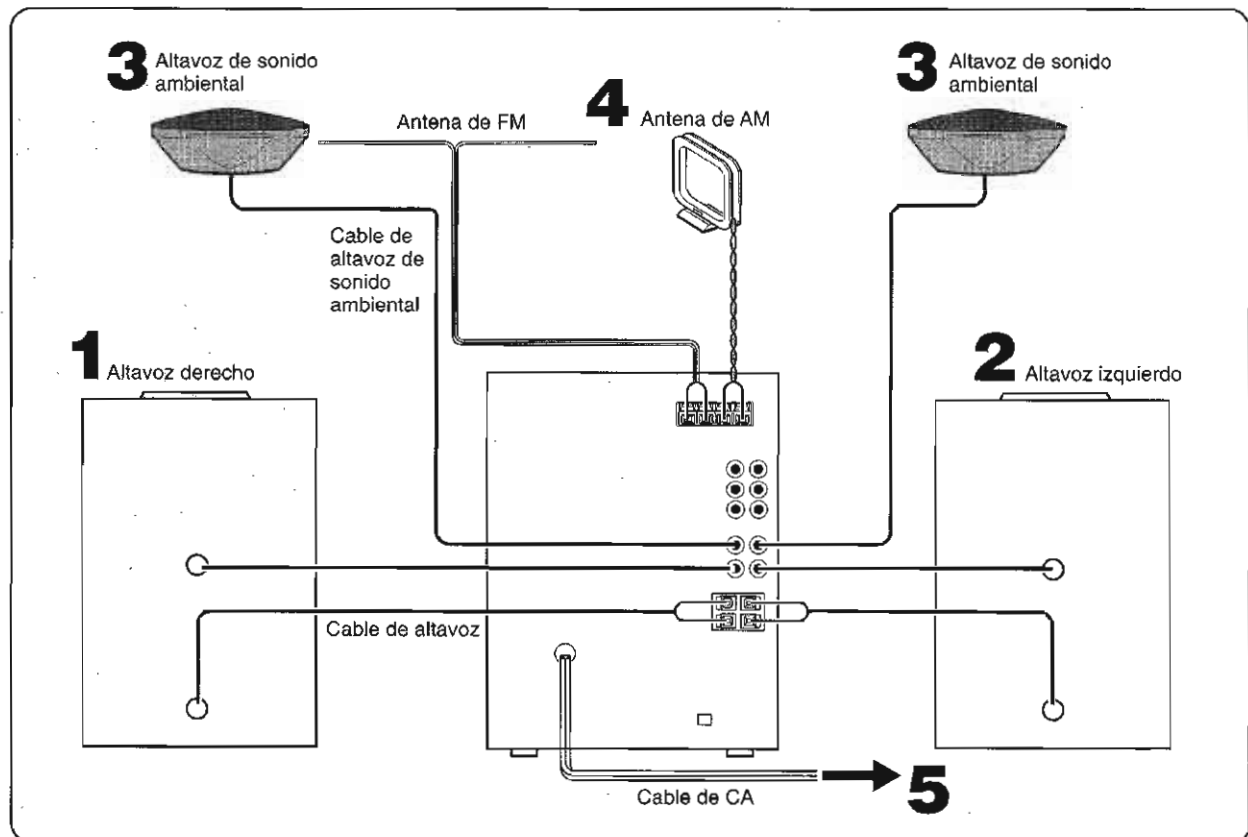


- ② Conecte el cable de altavoz con franja blanca al terminal **SPEAKERS LOW FREQ R +** y el cable negro al terminal **-**.



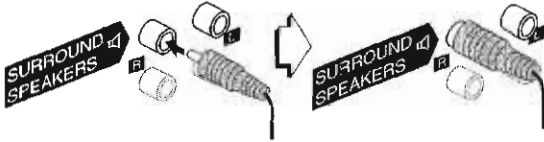
**2 Conecte el altavoz izquierdo a la unidad principal.**

Conecte el cable de altavoz con clavija al terminal **SPEAKERS HIGH FREQ L**, y el otro cable de altavoz a los terminales **SPEAKERS LOW FREQ L**, de la misma forma que en el paso 1.



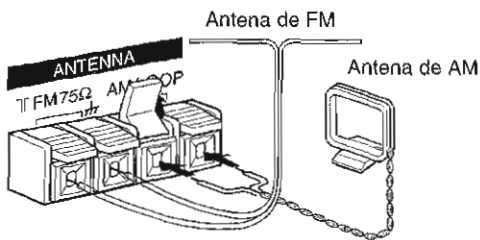
### 3 Conecte los altavoces de sonido ambiental a la unidad principal.

No existen diferencias entre los altavoces de sonido ambiental. Conecte cada cable de altavoz de sonido ambiental al terminal **SURROUND SPEAKERS R** o **L**.



### 4 Conecte las antenas suministradas.

Conecte la antena de FM a los terminales **FM 75 Ω** y la de AM a los terminales **AM LOOP**.



### 5 Conecte el cable de CA a una toma de CA.

- La demostración del juego empezará cuando el cable de CA se enchufe en una toma de CA. Consulte la página 8 "Demostración del juego" para obtener más detalles.

#### Para posicionar las antenas

##### Antena de FM:

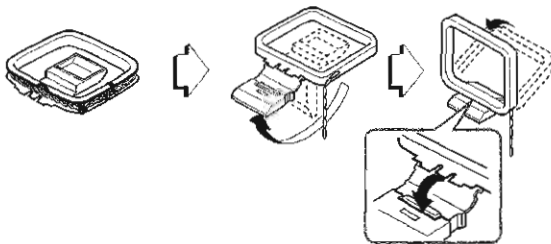
Extienda horizontalmente esta antena formando una T y fije sus extremos en la pared.

##### Antena de AM:

Póngala para obtener la mejor recepción posible.

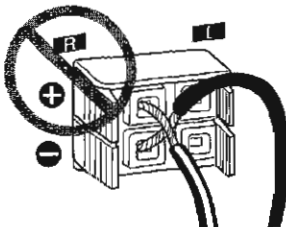
#### Para poner la antena de AM en posición vertical sobre una superficie

Fije el gancho en la ranura.



#### NOTA

- Asegúrese de conectar correctamente los cables de los altavoces. Las conexiones mal hechas podrían causar cortocircuitos en los terminales **SPEAKERS**.

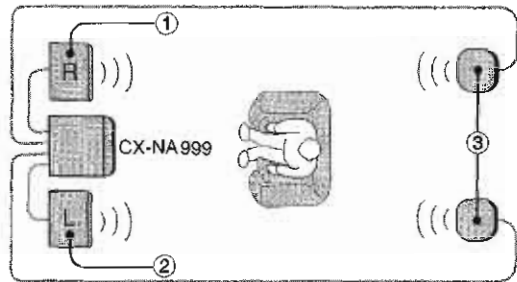


- No deje objetos que generen magnetismo, tales como tarjetas de crédito, cerca de los altavoces porque podrían estropearse.
- No ponga la antena de FM cerca de objetos metálicos o rieles de cortinas.
- No ponga la antena de AM cerca de equipos opcionales, el propio sistema estéreo, el cable de alimentación de CA o los cables de los altavoces, porque se captarán ruidos.
- No desbobine el cable de la antena de AM.

## POSICIONAMIENTO DE LOS ALTAVOCES

Coloque los altavoces para sacar el mayor provecho del efecto SURROUND.

#### Instalación estándar

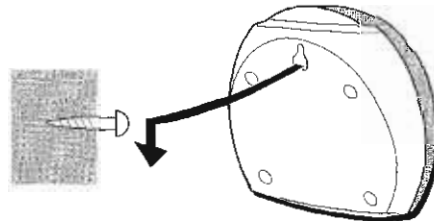


- Altavoz delantero (derecho)
- Altavoz delantero (izquierdo)
- Altavoz de sonido ambiental

Ponga los altavoces de sonido ambiental por detrás de la zona de escucha.

#### Para montar los altavoces de sonido ambiental en la pared

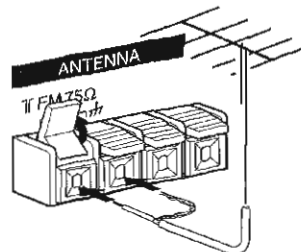
Monte cada altavoz en un lugar que pueda aguantar su peso.



## CONEXION DE UNA ANTENA EXTERIOR

Para obtener la mejor recepción de FM se recomienda utilizar una antena exterior.

Conecte la antena exterior a los terminales **FM 75 Ω**.

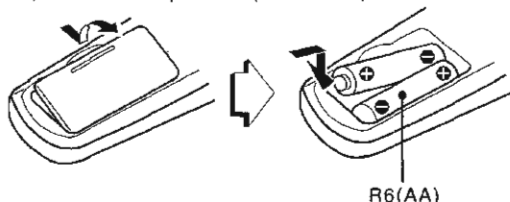


Para conectar otro equipo opcional → página 28.

## CONTROL REMOTO

### Inserción de las pilas

Quite la tapa de las pilas, ubicada en la parte trasera del control remoto, e inserte dos pilas R6 (tamaño AA).

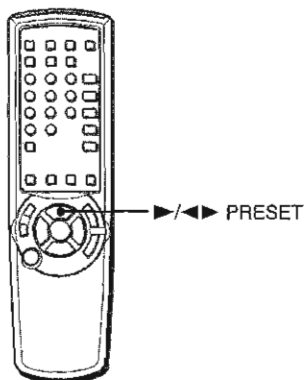


### Cuándo reemplazar las pilas

La distancia máxima de operación entre el control remoto y el sensor de la unidad principal deberá ser de 5 metros aproximadamente. Cuando disminuya esta distancia, reemplace las pilas por otras nuevas.

### ►/◄ PRESET en el control remoto

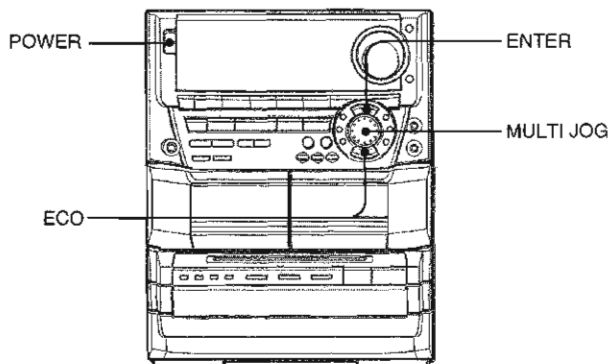
La función es la misma que la de ◄► de la unidad principal.



### NOTA

- Si el control remoto no va a ser utilizado durante mucho tiempo, quite las pilas para evitar posibles fugas de electrolito.
- El control remoto quizá no funcione correctamente cuando:
  - La línea de visión entre el control remoto y el sensor de señales del interior del visualizador esté expuesta a una luz intensa como, por ejemplo, la luz del sol.
  - Otros controles remotos (los de un televisor, etc.) estén siendo utilizados cerca de esta unidad.

## ANTES DE LA OPERACION



### Para conectar la alimentación

Pulse uno de los botones de función (**TAPE DECK1/2, TUNER/BAND, VIDEO/AUX, CD, MD**). La reproducción de la cinta o del disco insertado empezará o se recibirá la emisora previamente sintonizada (función de reproducción directa). También podrá utilizarse **POWER**.

### NOTA

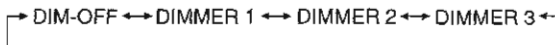
Cuando se conecte la alimentación, el compartimento de los discos tal vez se abra y se cierre para reponer la unidad.

### Para desconectar la alimentación

Pulse **POWER**.

### Para cambiar el nivel de brillo del visualizador

- 1 Pulse **ECO** para que se visualice "ECO MODE".
- 2 Antes de que pasen 4 segundos, gire **MULTI JOG** para visualizar "DIM MODE", y luego pulse **ENTER** antes de que pasen otros 4 segundos.
- 3 Antes de que pasen 4 segundos, gire **MULTI JOG** para seleccionar el modo del regulador de intensidad de iluminación como se indica abajo. El modo se establecerá automáticamente después de 4 segundos. También se establecerá si se pulsa **ENTER** antes de que pasen 4 segundos después de realizar el paso 3.



**DIM-OFF:** La visualización normal.

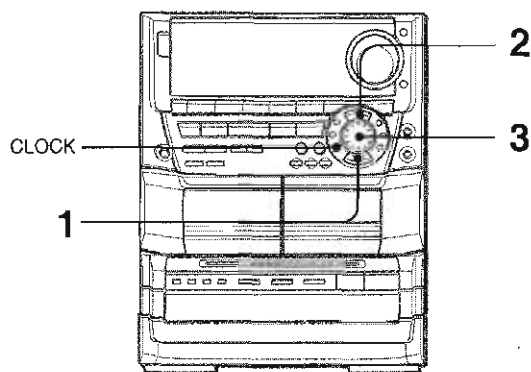
**DIMMER 1:** La iluminación del visualizador es menos intensa que la normal

**DIMMER 2:** La iluminación del visualizador es menos intensa que la de DIMMER 1.

**DIMMER 3:** La iluminación del visualizador es menos intensa que la de DIMMER 2. El analizador de espectro y las lámparas de los botones se apagarán.

### NOTA

Si la grabación con temporizador (página 27) se realiza con el modo de ahorro (página 7) en "ON" y se desconecta la alimentación, el modo del regulador de intensidad de luz se pondrá en "DIMMER 3" la próxima vez que se conecte la alimentación.



### Sistema multiamplificador de 4 canales

Para reforzar las frecuencias ultrabajas, además del amplificador de 2 canales, derecho e izquierdo, utilizado para reproducir las frecuencias medias a altas, este sistema incorpora un segundo amplificador de 2 canales, derecho e izquierdo, sólo para la reproducción de las frecuencias ultrabajas: lo que constituye, en efecto, un sistema de 4 amplificadores. Utilizando amplificadores discretos para las frecuencias medias a altas y para las frecuencias bajas, se puede obtener una reproducción de sonido de alta calidad que está virtualmente exento de distorsión.

Este sistema multiamplificador, que utiliza circuitos independientes para las diferentes gamas de frecuencia, permite una excelente reproducción de sonido libre de distorsión.

### PUESTA DEL MODO DE AHORRO DE ENERGIA

Al poner esta unidad en el modo de ahorro de energía se reduce el consumo de energía de la forma siguiente.

- Cuando se desconecta la alimentación, todas las luces del visualizador se apagan.  
Sin embargo, si el reloj no está puesto en hora, la demostración del juego (página 8) empezará cuando se desconecte la alimentación.
- Si la función de reproducción de disco compacto, cinta o ritmo (página 9) no reproduce durante 10 minutos, o si no ha entrado audio durante 10 minutos desde cualquier equipo externo conectado estando seleccionado como fuente VIDEO/AUX o MD, la alimentación se desconectará.
- Cuando se conecta la alimentación debido a una grabación con temporizador (página 27), el nivel del brillo del visualizador se ajusta a "DIMMER 3" (página 6), todos los indicadores de los botones se apagan, y el volumen se pone al nivel mínimo (0).
- El visualizador se ilumina sólo cuando se utiliza la unidad. Cuando la unidad no haya sido utilizada durante 10 segundos, el nivel del brillo cambiará al modo seleccionado previamente en "DIM MODE". (Página 6)  
(Si el nivel del brillo del visualizador está ajustado en "DIM-OFF", el brillo no cambiará. Cuando el nivel sea "DIMMER 3", los indicadores de los botones también se apagarán.)

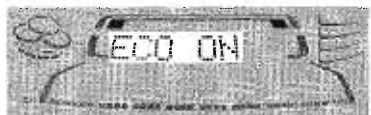
- 1 Pulse ECO.**  
"ECO MODE" se visualizará.



- 2 Pulse ENTER antes de que pasen 4 segundos.**  
El estado actual del modo de ahorro de energía se visualizará.  
Si el modo de ahorro de energía está desactivado: ECO OFF  
Si el modo de ahorro de energía está activado: ECO ON

- 3 Gire MULTI JOG antes de que pasen 4 segundos para activar o desactivar el modo de ahorro de energía.**

Ejemplo: Cuando se seleccione "ON".



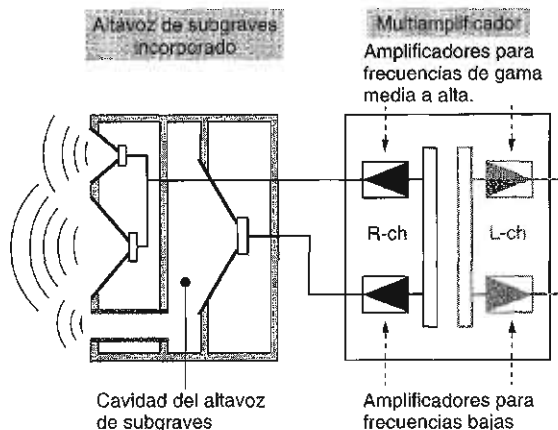
El modo se establecerá automáticamente después de 4 segundos. También se establecerá si se pulsa ENTER antes de que pasen 4 segundos después del paso 3.

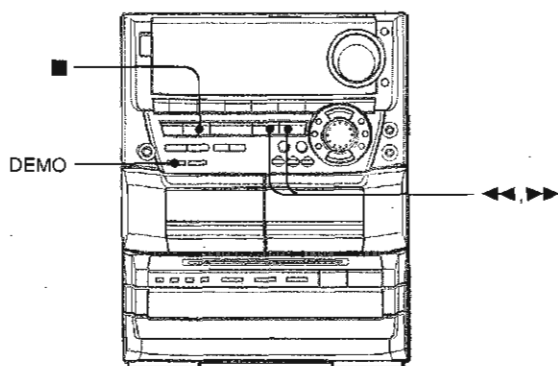
**NOTA**

Para ver el reloj cuando todas las luces del visualizador se apaguen, pulse CLOCK para que se visualice la hora durante 4 segundos.

### Sistema de altavoz de subgraves incorporado

El sistema de altavoz de subgraves incorporado tiene una cavidad de altavoz de subgraves separada que forma parte de la estructura de la caja del altavoz, y que actúa como filtro sónico para cortar los componentes de distorsión. (En el sistema de multiamplificador, las señales de frecuencia ultrabaja transmitidas desde su propio amplificador independiente se reproducen en esta área.) Esta construcción separada ofrece una definición rica y clara para la reproducción de graves, y puede reproducir señales de frecuencia media a alta claras y bien definidas. Y el sistema de altavoz de subgraves AIWA incorporado incluye un altavoz de subgraves capaz de reproducir graves potentes y satisfactorios con una verdadera separación estéreo.





## Demostración del juego

Cuando usted sólo enchufe el cable de alimentación de CA por primera vez después de adquirir el sistema, el juego se encenderá automáticamente. Este estado inicial se desactiva una vez que se pone en hora el reloj incorporado. Siempre que no haga ningún ajuste en el reloj, el juego se encenderá automáticamente cuando desconecte la alimentación.

### Para disfrutar del juego

**Pulse DEMO estando la unidad encendida o apagada, y tanto si el reloj está puesto en hora como si no.**

Con la alimentación desconectada, el juego se silencia. Cuando se conecta la alimentación, el juego se activa con sonido (a partir de ahora sonido del juego).

#### 1 Pulse ◀▶.

En el visualizador empiezan a moverse tres números.

#### 2 Pulse una vez ■.

El número del lado izquierdo se para.

#### 3 Pulse dos veces ■ para detener los dos números restantes.

*Puntuación:*

Para empezar el juego dispondrá de 20 puntos.

Si todos los números son iguales se añadirán 50 puntos a la puntuación.

Si no son iguales se restará un punto.

Si los puntos ganados llegan a 9999, usted gana.

Si los puntos se reducen a 0, usted pierde.

### Para cancelar el juego

Pulse DEMO.

### Para reiniciar el juego

Pulse dos veces DEMO.

### Para cambiar la probabilidad de igualación de los tres números

Pulse repetidamente ◀◀ o ▶▶ para seleccionar uno de los tres niveles de probabilidades cuando juegue con el juego. El indicador del número de bandeja cambia en el visualizador entre 1 y 3. Al aumentar el número de la bandeja de 1 a 3, más alta será la probabilidad de la igualación.



### Para silenciar el sonido del juego

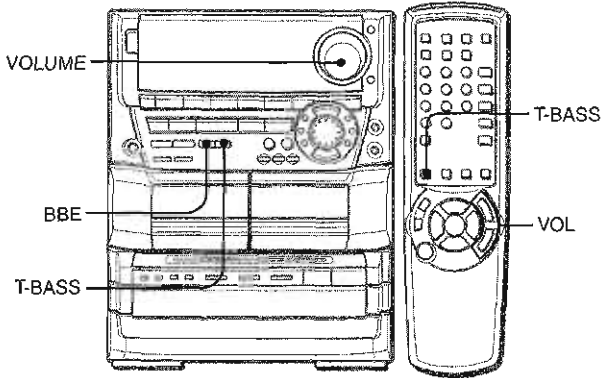
Primero, cancele el juego pulsando DEMO. Luego, mantenga pulsado DEMO hasta que se visualice "OFF".

Para reponer el sonido del juego, mantenga pulsado de nuevo DEMO hasta que se visualice "ON".

### NOTA

- Mientras juega con el juego, ■, ◀◀, ▶▶ y ◀▶ sólo se encuentran disponibles para el juego. Cancele el juego para utilizar estos botones en funciones tales como la reproducción de un disco compacto, etc.
- Para cambiar el sonido del juego, consulte "FUNCION DE REPRODUCCION CON RITMO" en la página 9.
- Durante el juego, algunos indicadores no relacionados con la operación actual se encienden en el visualizador.
- DEMO queda bloqueado durante la grabación y no funciona.
- El juego y el sonido del juego se cancelan automáticamente si el volumen se ajusta mientras la unidad está encendida.

## AJUSTES DE AUDIO



### CONTROL DE VOLUMEN

Gire **VOLUME** de la unidad principal o pulse **VOL** del control remoto.

El nivel de sonido se visualiza como un número del 0 a MAX (50).

El nivel de sonido se ajusta automáticamente a 20 cuando se desconecta la alimentación estando el nivel de sonido ajustado en 21 o más.

### SISTEMA BBE

El sistema BBE realiza la claridad del sonido de alta frecuencia. También mejora la función Karaoke para que su voz suene más clara y agradable.

**Pulse BBE.**

Cada vez que lo pulse, el nivel cambiará. Seleccione uno de los tres niveles o la posición de apagado, lo que usted prefiera.



BBE

### SISTEMA SUPER T-BASS

El sistema T-BASS realiza el realismo del sonido de baja frecuencia.

**Pulse T-BASS.**

Cada vez que lo pulse, el nivel cambiará. Seleccione uno de los tres niveles o la posición de apagado, lo que usted prefiera.



T-BASS

**Para seleccionar con el control remoto**

Pulse **T-BASS** mientras pulsa **SHIFT**.

#### NOTA

- El sonido de baja frecuencia tal vez se distorsione cuando se utilice el sistema T-BASS con un disco o una cinta cuyo sonido de baja frecuencia haya sido realzado originalmente. En este caso, cancele el sistema T-BASS.
- Cuando reproduzca una cinta grabada con BBE se recomienda desactivar BBE para evitar el sonido de alta frecuencia distorsionado.

## FUNCION DE REPRODUCCION CON RITMO (BEAT MASTER DX)

### UTILIZACION DE LA FUNCION BEAT

Esta unidad tiene una librería de patrones de ritmo de la que usted podrá elegir el ritmo deseado para añadirlo a la reproducción de cualquier fuente musical, permitiéndole así crear sus propios sonidos originales.

La mezcla creada con las funciones BEAT y BBE puede grabarse en cinta si así se desea. Además, la mezcla se encuentra disponible en LINE OUT.

#### NOTA

La función BEAT no se encuentra disponible cuando se hace una copia entre dos platinas de casete usando SYNC DUB.

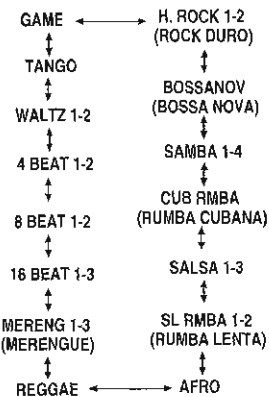
**Para seleccionar un patrón de ritmo**

**1 Pulse BEAT ON/OFF para activar la función.**

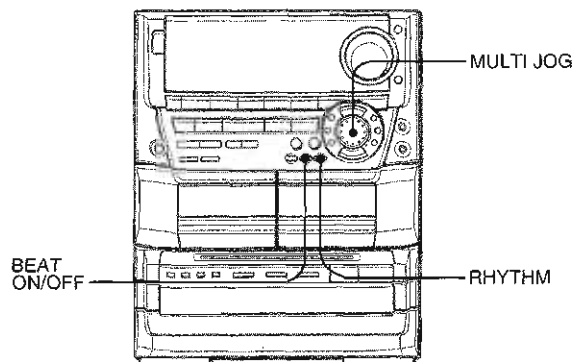
Oír el patrón de ritmo actual y el visualizador mostrará el nombre del ritmo.

**2 Gire MULTI JOG para avanzar por las opciones suministradas y encontrar la que vaya mejor con la música.**

La visualización cambiará de la forma siguiente:



**Para ajustar el tempo del patrón de ritmo**



**1 Pulse repetidamente RHYTHM hasta que el visualizador muestre "Tempo XXX".**

Los derechos de autor de estos datos de onda de voz incorporados en este producto son propiedad de Yamaha Corporation, y nosotros tenemos licencia de Yamaha Corporation para poder utilizar tales datos.

**NOTA**

Si aparece "AUTO" mientras usted está pulsando **RHYTHM**, cámbielo a "MANUAL" girando **MULTI JOG** hacia la izquierda. En el modo AUTO, el tempo es ajustado automáticamente y usted no puede tener acceso a la visualización de "Tempo". (Más adelante se ofrece más información acerca del modo AUTO.)

**2 Gire MULTI JOG.**

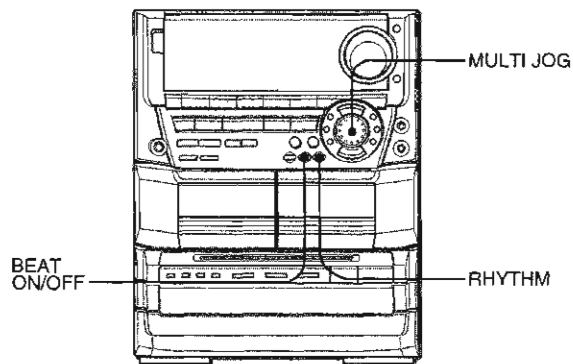
Girándolo hacia la derecha el tempo se hace más rápido. Y girándolo hacia la izquierda el tempo se hace más lento.

(Si pasa un intervalo de tiempo antes de girar el mando, vuelva a la visualización de "Tempo" pulsando **RHYTHM**.)

El tempo puede cambiarse dentro de los límites 81 a 160.

**NOTA**

El tempo de GAME no puede ajustarse.

**Para cambiar el nivel del sonido del patrón de ritmo**

**1** Pulse repetidamente **RHYTHM** hasta que la visualización indique "LEVEL X".

**2 Gire MULTI JOG.**

Se encuentran disponibles tres niveles: 1-3.

**Para desactivar la función BEAT**

Pulse **BEAT ON/OFF**.

**BEAT** cambia entre activado y desactivado.

**NOTA**

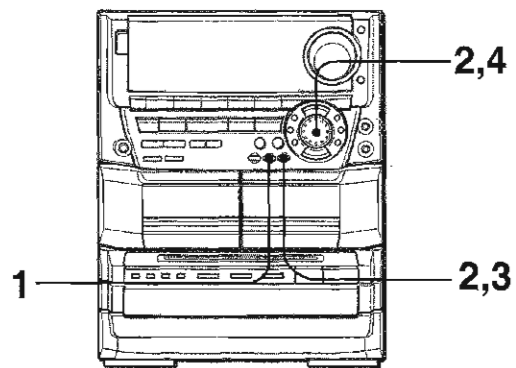
Cuando interrumpa o detenga la reproducción de la fuente de sonido, la función **BEAT** se desactivará automáticamente.

**Utilización del modo AUTO**

El modo AUTO ajusta automáticamente el tempo del patrón de ritmo actual para que coincida con el tempo de la música.

**NOTA**

Dependiendo de la música, el modo AUTO tal vez no funcione correctamente (con canciones cuyo tempo es impreciso o cambia a menudo, por ejemplo).



Puede dejar que la música empiece a reproducirse antes de realizar el paso 1 u otro posterior en el momento deseado.

**1** Pulse **BEAT ON/OFF** para activar la función.

Oirá el patrón de ritmo actual.

**2** Cambie el patrón de ritmo y el ajuste del nivel según sea necesario pulsando **RHYTHM** y girando **MULTI JOG**.

**3** Pulse **RHYTHM** para que el visualizador muestre "MANUAL" o "AUTO".



**4** Gire **MULTI JOG** hacia la derecha para cambiar la visualización a "AUTO".

Si se visualiza "AUTO" en el paso 3, gire **MULTI JOG** hacia la izquierda para cambiar la visualización a "MANUAL" antes de realizar el paso 4.



Al cambiar de **MANUAL** a **AUTO**, el nivel del patrón de ritmo se reduce automáticamente a "1". El nivel preajustado se reanuda cuando la unidad asuma el tempo de la música.

Mientras la unidad intenta sincronizarse con el tempo de la música, en los lados de la sección de visualización del ecualizador gráfico aparecerá parpadeando un indicador azul en forma de cascada.



Cuando la unidad se sincronice con el tempo de la música, el visualizador indicará momentáneamente el tempo sincronizado.



Sin embargo, dependiendo de la fuente de sonido (como, por ejemplo, canciones cuyo tempo cambia), usted podrá ver aparecer en la visualización tempos diferentes uno tras otro.

Tras una sincronización, si el bloqueo de sincronización se desbloquea, la visualización indicará "BEAT OUT", y la unidad volverá a intentar sincronizarse.

Al aparecer BEAT OUT, el nivel del ritmo se reducirá automáticamente a "1"; y volverá al nivel preajustado después de lograrse de nuevo la sincronización.

**NOTA**

La función BEAT puede utilizarse junto con la función SPICE A/B, así como también con la función FILL IN. (En cuanto a estas funciones, siga leyendo por favor.) Pero la función AUTO SPICE no puede utilizarse al mismo tiempo que la función BEAT.

**Utilización de la función FILL IN**

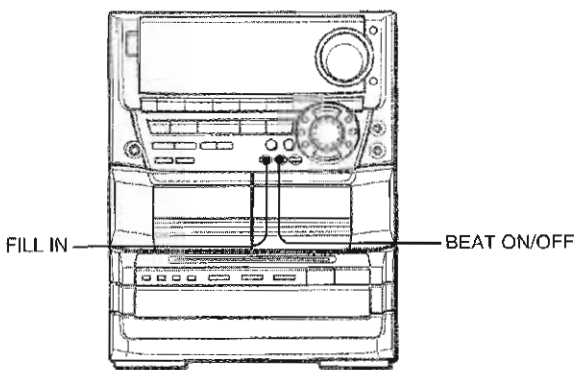
La función FILL IN se utiliza junto con la función BEAT para introducir una variación en el patrón de ritmo actual.

El interruptor de función doble AUTO SPICE/FILL IN asume la función FILL IN cuando la función BEAT está activada.

**NOTA**

- La función AUTO SPICE no se encuentra disponible al mismo tiempo que la función FILL IN.
- La función FILL IN no se encuentra disponible cuando se hace una copia entre dos platinas de casete utilizando SYNC DUB.

**Para utilizar la función FILL IN**



Durante la reproducción con la función BEAT activada, pulse FILL IN en el momento deseado.



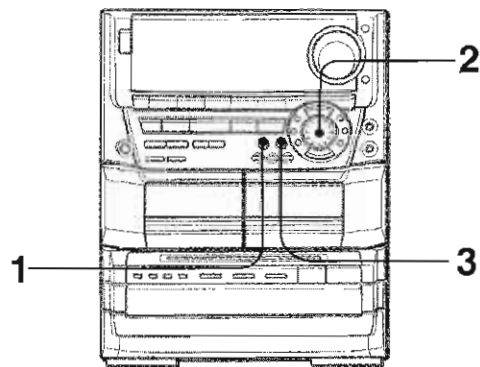
El visualizador indicará "FILL IN" y, cuando termine el ciclo actual del patrón de ritmo, usted oírá un breve sonido diferente del patrón de ritmo. Este sonido depende de los patrones de ritmo. Si lo desea, pruebe a cambiar el patrón del ritmo. (La selección de un patrón de ritmo se ha explicado anteriormente, bajo el encabezamiento correspondiente.)

**UTILIZACION DE LA FUNCION SPICE**

**Función SPICE A/B**

La función SPICE A/B le permite añadir percusión a la reproducción de la música y crear sus propios sonidos originales. Los sonidos que usted cree con SPICE A/B podrán ser grabados en cinta si así lo desea.

**Para seleccionar sonidos**



**1 Pulse A.**

Oirá el sonido almacenado actualmente en A.

**2 Antes de que pasen 4 segundos, gire MULTI JOG hacia la izquierda o hacia la derecha hasta encontrar el sonido deseado.**

Al cambiar la visualización oírá el sonido respectivo.

**3 De forma similar, seleccione un sonido para B.**

**Para utilizar la función**

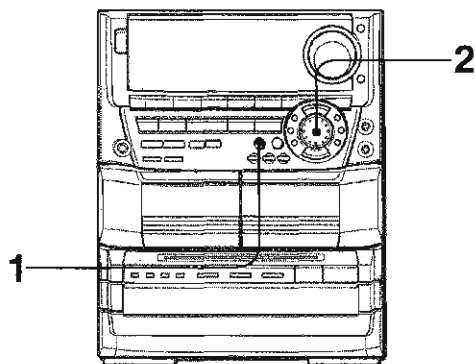
Una vez satisfecho con la selección del sonido, deje que la música empiece a reproducirse y utilice SPICE A o B con la música como si estuviera tocando instrumentos de percusión.



**NOTA**

La función SPICE A/B no se puede utilizar al copiar entre dos platinas de casete utilizando SYNC DUB.

## Utilización de un modo de rayado



### 1 Mantenga pulsado SPICE A. (No suelte el botón hasta completar el paso 2.)

El visualizador indicará "SCT MODE".



### 2 Sin soltar aún el botón, gire MULTI JOG.

Dependiendo del sentido de giro de MULTI JOG se producirán rayados diferentes.

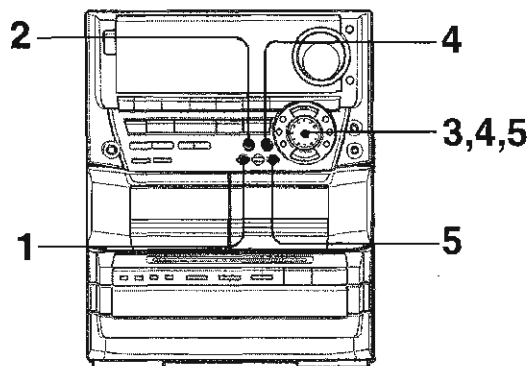
El modo de rayado se desactiva cuando se suelta el botón A.

## Utilización de la función AUTO SPICE

La función AUTO SPICE produce los sonidos de SPICE A y B en sincronización con la música, el sonido A en respuesta a las señales de frecuencia baja, y el sonido B en respuesta a las señales de frecuencia alta.

### NOTA

- La función AUTO SPICE no puede utilizarse junto con la función BEAT.
- Dependiendo de la música, la función AUTO SPICE tal vez no funcione como usted espera. En tal caso, utilice en su lugar la función SPICE A/B.
- La función AUTO SPICE no se encuentra disponible cuando se hace una copia entre dos platinas de casete utilizando SYNC DUB.



### 1 Pulse AUTO SPICE.

"A-SPICE" se muestra en el visualizador.



### 2 Pulse SPICE A.

Oirá el sonido almacenado en A, y su nombre aparecerá en el visualizador.

Cada vez que pulse A se producirá sonido.

### 3 Si desea cambiar el sonido de A, gire MULTI JOG hasta encontrar el sonido deseado.

(Si pasa un intervalo de tiempo después de completarse el paso 2 y antes de realizar el paso 3, pulse de nuevo SPICE A.)

### 4 De forma similar, compruebe el sonido de B y cámbielo si lo desea.

### 5 Para ajustar el nivel de los sonidos A y B, acceda a la visualización de "LEVEL X" pulsando RHYTHM tantas veces como sea necesario, y luego gire MULTI JOG antes de que pasen 4 segundos.

Se encuentran disponibles tres niveles: 1, 2 y 3.



Los niveles A y B se ajustan de una vez.

### 6 Deje que empiece la reproducción de la fuente para escuchar el efecto.

El indicador azul en forma de cascada a la izquierda de "BBE" en el visualizador parpadeará y el sonido de SPICE A se reproducirá en sincronización con los graves, y el sonido de SPICE B se reproducirá en sincronización con los agudos.

### NOTA

Cuando esté reproduciéndose un patrón de ritmo o mientras esté produciéndose sonido FILL IN, si usted da un toque ligero a SPICE A o B o produce rayado, en el patrón de ritmo o en el sonido FILL IN podrán producirse ocasionalmente interrupciones momentáneas. Lo mismo sucede con el sonido AUTO SPICE cuando se da un toque ligero a SPICE A o B o se produce rayado.

## ECUALIZADOR GRAFICO

### SELECCION DE LA CURVA DE ECUALIZACION PROGRAMADA

Esta unidad ofrece las 5 curvas de ecualización diferentes siguientes:

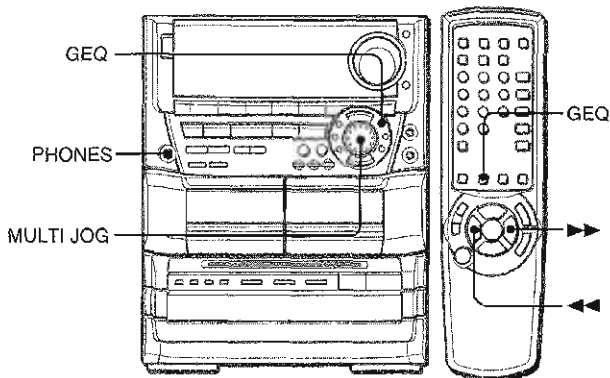
**ROCK:** Sonido potente que realza los agudos y los graves.

**POP:** Más presencia en las voces y en la gama de registro medio.

**LATIN:** Frecuencias más altas acentuadas para música latina.

**CLASSIC:** Sonido enriquecido con graves profundos y agudos finos.

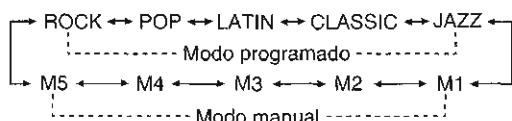
**JAZZ:** Frecuencias bajas acentuadas para música tipo jazz.



Pulse **GEQ**, y antes de que pasen 4 segundos gire **MULTI JOG** para seleccionar una de las curvas de ecualización programadas.



"GRAPHIC EQUALIZER" aparece y el modo GEQ se visualiza cíclicamente de la forma siguiente:



#### Para visualizar el modo GEQ actual

Pulse **GEQ**. El modo actual se visualiza durante 4 segundos.

#### Para cancelar el modo seleccionado

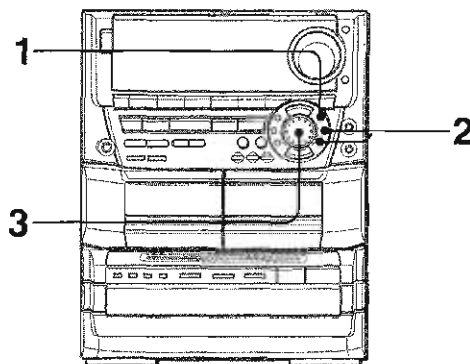
Pulse dos veces **GEQ**.

"GEQ OFF" aparece y "GRAPHIC EQUALIZER" desaparece.

#### Para seleccionar con el control remoto

Pulse **GEQ**, y, antes de que pasen 4 segundos, pulse repetidamente **◀◀** o **▶▶**. El modo GEQ se visualiza cíclicamente de la forma indicada arriba.

### AJUSTE MANUAL DE UNA CURVA DE ECUALIZACION NUEVA



La curva de ecualización puede personalizarse para satisfacer sus preferencias.

Si ha transcurrido el tiempo predeterminado mientras realizaba estos pasos, pulse **UP** o **DOWN** para volver a la visualización anterior.

#### 1 Pulse **GEQ**.

Se visualizará el modo GEQ actual o "GEQ ON".

#### 2 Antes de que pasen 4 segundos, pulse **UP** o **DOWN** para seleccionar las bandas de frecuencias.

Cada vez que pulse **UP/DOWN**, un indicador de 4 segmentos se desplazará a la siguiente banda de frecuencias superior o inferior. (Si se muestra el modo GEQ actual, éste cambiará a "GEQ ON" la primera vez que se pulse **UP** o **DOWN**.)



#### 3 Gire **MULTI JOG** para ajustar el nivel de ecualización para la banda de frecuencias seleccionada.

#### 4 De forma similar, ajuste el nivel de ecualización para las otras bandas de frecuencias restantes.

#### Utilización de auriculares

Conecte auriculares con clavija estéreo estándar de 6,3 mm a la toma **PHONES**.

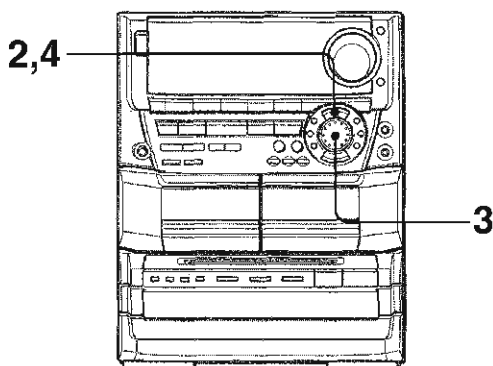
Mientras los auriculares estén conectados no saldrá sonido de los altavoces.

• Cuando los auriculares estén enchufados, el sistema **SURROUND** no funcionará.

#### Ajuste de sonido durante la grabación

El control **VOLUMEN** no causa ningún efecto en la grabación. Sólo ajusta el sonido de los altavoces y auriculares. Sin embargo, recuerde que la grabación asume las funciones **BEAT**, **AUTO SPICE/FILL IN**, **SPICE A/B**, así como también la función **BBE**.

## MEMORIZACION DE CURVAS DE ECUALIZACION NUEVAS



Se puede almacenar un máximo de 5 curvas de ecualización personalizadas como modos manuales M1 - M5.

- 1 Realice los pasos 1-4 de la página anterior.**  
La curva creada se visualizará durante 4 segundos.
- 2 Pulse ENTER antes de que pasen 4 segundos.**  
"M 1" parpadeará en el visualizador durante 4 segundos.



- Si este paso no se completa antes de que pasen 4 segundos, pulse primero **GEQ** para visualizar "GEQ ON". Luego, antes de que pasen 4 segundos, pulse repetidamente **ENTER** hasta que parpadee "M1".

- 3 Gire MULTI JOG antes de que pasen 4 segundos para seleccionar uno de los modos manuales M1 - M5 donde almacenar la curva.**

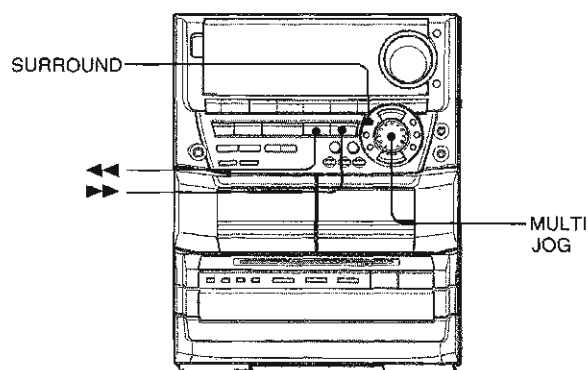
- 4 Pulse ENTER antes de que pasen 4 segundos.**  
La nueva curva de ecualización se almacena.

**Para seleccionar la curva de ecualización almacenada**  
Pulse **GEQ**, y antes de que pasen 4 segundos gire **MULTI JOG** para seleccionar uno de los modos manuales M1 - M5.

## DSP SURROUND

El DSP (Procesador de Señal Digital) SURROUND ajusta el tiempo de retardo, el modo de entrada y el nivel de realimentación para ofrecer un sonido ambiental resonante que le permite disfrutar de la presencia real del sonido de diferentes ambientes. Esta unidad ha sido programada con 5 modos SURROUND diferentes.

### SELECCION DE UN MODO DSP SURROUND PROGRAMADO



Cinco modos de DSP SURROUND ofrecen la presencia de sonido que usted notaría en una discoteca (DISCO), en un concierto en directo (LIVE), en un estadio (STADIUM), en una sala de conciertos (HALL) o en un cine (MOVIE). (En paréntesis se muestran las indicaciones que aparecen en el visualizador.)

**Pulse SURROUND, y antes de que pasen 4 segundos gire MULTI JOG o pulse repetidamente ◀◀ o ▶▶ para seleccionar el modo programado deseado.**



"DSP SURROUND" aparece y el modo DSP SURROUND se visualiza cíclicamente de la forma siguiente:



Las curvas de ecualización se seleccionan automáticamente para que concuerden con los modos DSP SURROUND, y también pueden seleccionarse o desactivarse manualmente según sus preferencias.

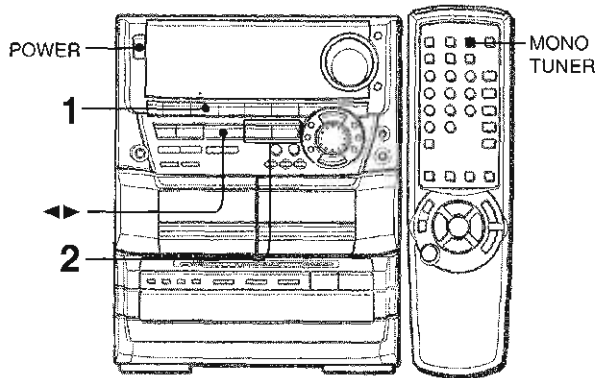
**Para visualizar el modo DSP SURROUND actual**  
Pulse **SURROUND**. El modo actual se visualizará durante unos 4 segundos.

**Para cancelar el modo seleccionado**  
Pulse dos veces **SURROUND**. Aparece "DSP OFF" y desaparece "DSP SURROUND".

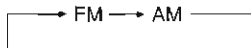
**Cuando la fuente musical sea mono**  
Seleccione "LIVE", "STADIUM" o "MOVIE" para obtener un efecto estéreo simulado.  
Cuando se seleccione "DISCO" o "HALL" no se oirá sonido procedente de los altavoces de sonido ambiental.

## RECEPCION DE LA RADIO

### SINTONIZACION MANUAL



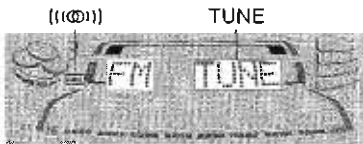
- 1 Pulse repetidamente **TUNER BAND** para seleccionar la banda deseada.



Cuando se pulse **TUNER BAND** mientras la alimentación esté desconectada, la alimentación se conectará directamente.

- 2 Pulse **◀◀ DOWN** o **▶▶ UP** para seleccionar una emisora.

Cada vez que pulse el botón, la frecuencia cambiará. Cuando se reciba una emisora, "TUNE" se visualizará durante 2 segundos. Durante la recepción estéreo por FM se visualizará **[[Ⓜ]]**.



#### Para buscar rápidamente una emisora (Búsqueda automática)

Mantenga pulsado **◀◀ DOWN** o **▶▶ UP** hasta que la frecuencia empiece a cambiar rápidamente. Después de sintonizar una emisora, la búsqueda parará.

Para detener manualmente la búsqueda automática, pulse **◀◀ DOWN** o **▶▶ UP**.

- La búsqueda automática quizá no pare en emisoras cuyas señales sean muy débiles.

Cuando una radiodifusión estéreo por FM tenga ruido Pulse **MONO TUNER** para que "MONO" aparezca en el visualizador.

El ruido se reducirá, pero la recepción será mono.

Para reponer la recepción estéreo, repita lo de arriba para que desaparezca "MONO".

#### Para cambiar el intervalo de sintonización de AM

El ajuste predeterminado del intervalo de sintonización de AM es de 10 kHz/paso. Si utiliza esta unidad en un área donde el sistema de asignación de frecuencia es de 9 kHz/paso, cambie el intervalo de sintonización.

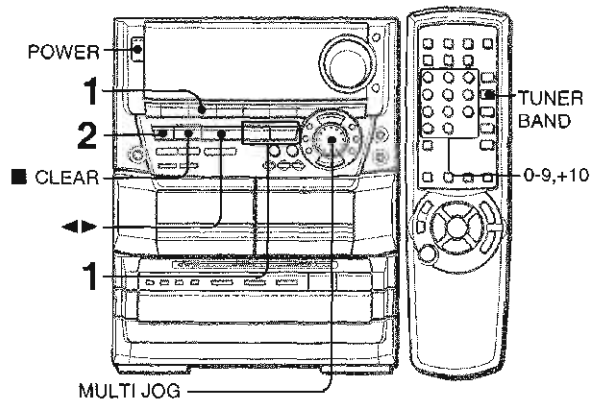
Pulse **POWER** mientras pulsa **◀◀**.

Para reponer el intervalo, repita este procedimiento.

#### NOTA

Cuando se cambie el intervalo de sintonización de AM, todas las emisoras preajustadas se borrarán. Las emisoras preajustadas tendrán que ajustarse de nuevo.

### PREAJUSTE DE EMISORAS



La unidad puede almacenar un total de 32 emisoras. Cuando almacene una emisora, a esa emisora se le asignará un número de preajuste. Utilice el número de preajuste para sintonizar directamente una emisora preajustada.

- 1 Pulse **TUNER BAND** para seleccionar una banda, y pulse **◀◀ DOWN** o **▶▶ UP** para seleccionar una emisora.

- 2 Pulse **|| SET** para almacenar la emisora.

A las emisoras de cada banda se les asigna un número de preajuste en orden consecutivo empezando por el 1.

Número de preajuste



- 3 Repita los pasos 1 y 2.

La siguiente emisora no se almacenará si ya se ha almacenado un total de 32 emisoras de preajuste de todas las bandas.

#### NOTA

"FULL" se visualiza si intenta almacenar más de 32 emisoras preajustadas.

### SINTONIZACION MEDIANTE NUMERO DE PREAJUSTE

Utilice el control remoto para seleccionar directamente el número de preajuste.

- 1 Pulse **BAND** para seleccionar una banda.

- 2 Pulse los botones numerados 0-9 y +10 para seleccionar un número de preajuste.

Ejemplo:

Para seleccionar el número de preajuste 20, pulse +10, +10 y 0.

Para seleccionar el número de preajuste 15, pulse +10 y 5.

#### Selección de un número de preajuste en la unidad principal

Pulse **TUNER BAND** para seleccionar una banda. Luego, pulse repetidamente **◀◀** o gire **MULTI JOG**.

Cada vez que se pulse **◀◀** se seleccionará el siguiente número más alto.

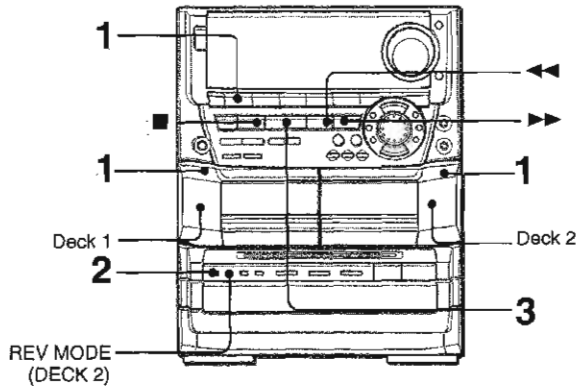
#### Para borrar una emisora preajustada

Seleccione el número de preajuste de la emisora que vaya a borrar. Luego, pulse **■ CLEAR**, y pulse **|| SET** antes de que pasen 4 segundos.

Los números de preajuste superiores de todas las demás emisoras de la banda disminuirán también en uno. Seleccionar una emisora de la banda disminuirán también en uno.

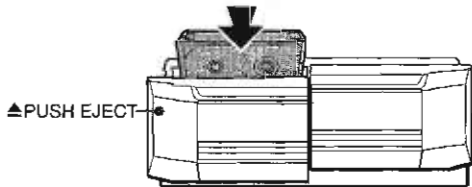
# REPRODUCCION DE CINTAS

## OPERACIONES BASICAS



- En la platina 1, las cintas se reproducen siempre por ambas caras.
- En la platina 2, podrá seleccionar un modo de inversión para reproducir una o dos caras.
- Utilice cintas tipo I (normales), tipo II (alta polarización/CrO<sub>2</sub>) o tipo IV (metal) para la reproducción.

**1 Pulse TAPE DECK 1/2 y ▲ PUSH EJECT para abrir el portacasete.**

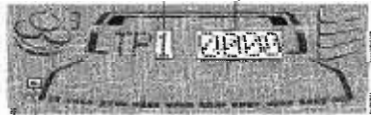


Inserte una cinta con el lado expuesto hacia abajo. Empuje el portacasete para cerrarlo.

**2 Pulse DOLBY NR y active o desactive Dolby NR según el modo empleado en la cinta de reproducción.**

**3 Pulse ◀▶ para iniciar la reproducción.**

Número de la platina seleccionada    Contador de cinta



Indicador de la cara de reproducción

- ▶: La cara que queda hacia adelante (cara delantera) está siendo reproducida.
- ◀: La cara que queda hacia atrás (cara trasera) está siendo reproducida.

**Para seleccionar un modo de Inversión (platina 2 solamente)**

Cada vez que pulse REV MODE, el modo de inversión cambiará.



Para reproducir una cara solamente, seleccione ◀.

Para reproducir de la cara delantera a la trasera una vez solamente, seleccione ▶.

Para reproducir repetidamente ambas caras, seleccione ◀▶.

- Cuando haya cintas introducidas en ambas platinas, el indicador ◀▶ del visualizador indicará la reproducción continua.

**Para seleccionar una platina de reproducción**

Cuando haya cintas cargadas en ambas platinas, pulse primero TAPE DECK 1/2 para seleccionar una de las platinas. El número de la platina seleccionada se visualiza.

**Para detener la reproducción,** pulse ■.

**Para hacer una pausa en la reproducción (platina 2 solamente),** pulse II. Para reanudar la reproducción, púlselo de nuevo.

**Para cambiar la cara de reproducción,** pulse ◀▶ en el modo de reproducción o en el de pausa.

**Para avanzar rápidamente o rebobinar,** pulse ◀◀ o ▶▶. Luego pulse ■ para detener la cinta.

**Para iniciar la reproducción cuando la alimentación esté desconectada (función de reproducción directa)**

Pulse TAPE DECK 1/2. La alimentación se conectará y empezará la reproducción de la cinta insertada.

**Para poner el contador de cinta a 0000**

Pulse ■ CLEAR en el modo de parada.

El contador también se pone en 0000 cuando se abre el portacasete.

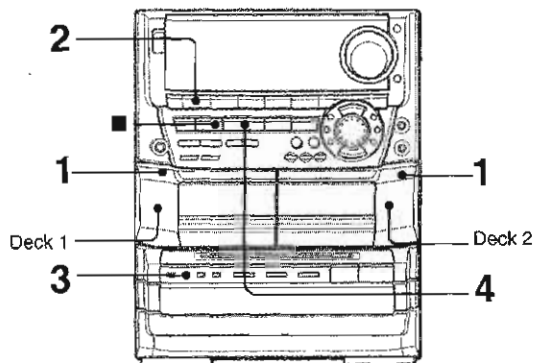
## SENSOR MUSICAL

Si hay un espacio sin grabar de 4 segundos o más entre cada canción, la búsqueda del principio de la canción que esté siendo reproducida o de la siguiente canción podrá realizarse fácilmente. Pulse ◀◀ o ▶▶ durante la reproducción observando el indicador de la cara de reproducción (◀ o ▶) del visualizador. Por ejemplo, cuando pulse ▶▶ mientras se visualiza ▶, empezará a reproducirse la siguiente canción.

La función del sensor musical tal vez no pueda detectar las canciones bajo las condiciones siguientes:

- Espacios sin grabar de menos de 4 segundos entre las canciones.
- Espacios sin grabar que tengan ruido.
- Pasajes largos con un sonido muy bajo.
- Niveles de grabación bajos en general.

## REPRODUCCION CONTINUA



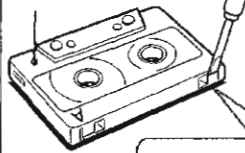
Después de terminar la reproducción en una platina, la cinta de la otra platina empezará a reproducirse sin interrupción.

- 1 Inserte cintas en las platinas 1 y 2.
- 2 Pulse TAPE DECK 1/2 para seleccionar la platina que vaya a realizar la reproducción en primer lugar.
- 3 Pulse REV MODE para seleccionar ⌂.
- 4 Pulse ◀▶ para iniciar la reproducción. La reproducción continuará hasta que se pulse ■.

### Acerca de las cintas de casete

- Para evitar el borrado accidental, rompa con un destornillador u otra herramienta puntiaguda las lengüetas de plástico del casete después de grabar.

Cara A

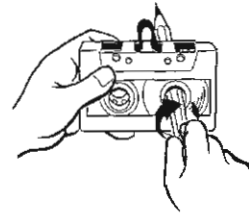


Ranura de detección de cinta tipo II

Lengüeta para la cara A

Para volver a grabar en una cinta, tape las aberturas con cinta adhesiva, etc. (En cintas tipo II, tenga cuidado para no tapar la ranura de detección de cinta tipo II.)

- Las cintas de 120 minutos o más son extremadamente finas y se deforman o estropean fácilmente. No son recomendadas.
- Tense la cinta con un lapicero o herramienta similar antes de utilizarla. La cinta floja podrá romperse o atascarse en el mecanismo.

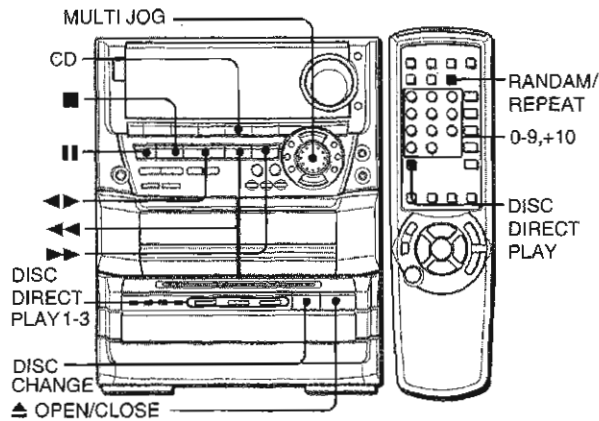


### Sistema DOLBY NR

El sistema de reducción de ruido Dolby reduce el ruido de silbido de la cinta. Para obtener unas prestaciones óptimas cuando reproduzca una cinta grabada con el sistema DOLBY NR, active el sistema DOLBY NR.

## REPRODUCCION DE DISCOS COMPACTOS

### OPERACIONES BASICAS



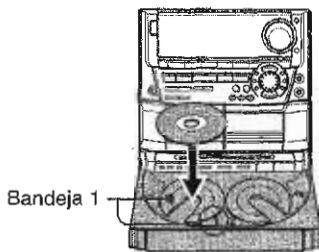
### INTRODUCCION DE DISCOS

Pulse **CD**, y luego pulse **▲ OPEN/CLOSE** para abrir el compartimiento de los discos. Introduzca el(los) disco(s) con el lado de la etiqueta hacia arriba.

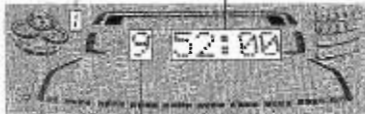
**Para reproducir uno o dos discos**, ponga los discos en las bandejas 1 y 2.

**Para reproducir tres discos**, pulse **DISC CHANGE** para girar las bandejas después de poner dos discos. Ponga el tercer disco en la bandeja 3.

Cierre el compartimiento del disco pulsando **▲ OPEN/CLOSE**.



Número de la bandeja del disco que va a ser reproducido      Tiempo de reproducción total



Número total de canciones

### REPRODUCCION DE DISCOS

Introduzca los discos.

**Para reproducir todos los discos del compartimiento de los discos**, pulse **<<<**.

La reproducción empezará por el disco de la bandeja 1.

Número de la canción que está siendo reproducida      Tiempo de reproducción transcurrido



**Para reproducir un disco solamente**, pulse **DISC DIRECT PLAY 1-3**.

El disco seleccionado se reproducirá una vez.

**Para reproducir con el control remoto**

Pulse **DISC DIRECT PLAY**, y luego pulse los botones numerados 1-3 antes de que pasen 3 segundos para seleccionar un disco.

**Para detener la reproducción**, pulse **■**.

**Para hacer una pausa en la reproducción**, pulse **II**. Para reanudar la reproducción, púselo de nuevo.

**Para buscar un punto particular durante la reproducción**, mantenga pulsado **<<<** o **>>>** y suéltelo en el punto deseado. **Para saltar hasta el comienzo de una pista durante la reproducción**, pulse repetidamente **<<<** o **>>>** o gire **MULTI JOG**.

**Para quitar discos**, pulse **▲ OPEN/CLOSE**.

**Para iniciar la reproducción cuando la alimentación esté desconectada (función de reproducción directa)**

Pulse **CD**. La alimentación se conectará y la reproducción del(de) disco(s) introducido(s) empezará.

Cuando se pulse **▲ OPEN/CLOSE**, la alimentación también se conectará y el compartimiento de los discos se abrirá.

**Para comprobar el tiempo restante**

Durante la reproducción, pulse **CD EDIT/CHECK**. El tiempo restante hasta que todas las canciones terminen de reproducirse se visualizará. Para reponer la visualización del tiempo de reproducción, repita este procedimiento.

**Selección de una canción con el control remoto**

1 Pulse **DISC DIRECT PLAY**, y luego pulse uno de los botones numerados 1-3 antes de que pasen 3 segundos para seleccionar un disco.

2 Pulse los botones numerados 0-9 y +10 para seleccionar una canción.

Ejemplo:

Para seleccionar la canción número 25, pulse +10, +10 y 5.

Para seleccionar la canción número 10, pulse +10 y 0.

La canción seleccionada empieza a reproducirse y la reproducción continúa hasta el final del disco.

**Reemplazo de discos durante la reproducción**

Mientras se reproduzca un disco, los otros discos podrán reemplazarse sin interrumpir la reproducción.

1 Pulse **DISC CHANGE**.

2 Quite los discos y ponga otros.

3 Pulse **▲ OPEN/CLOSE** para cerrar el compartimiento de los discos.

#### NOTA

- Cuando introduzca un disco de 8 cm, póngalo en el círculo interior de la bandeja.

- No ponga más de un disco compacto en una bandeja de disco.

- No incline la unidad habiendo discos introducidos. Hacer esto podría causar averías.

- No utilice discos compactos con formas irregulares (por ejemplo, con forma de corazón, octagonales, etc.). Éstos podrían ocasionar un fallo en el funcionamiento.



## REPRODUCCION ALEATORIA/ REPETICION DE REPRODUCCION

Utilice el control remoto.

### Reproducción aleatoria

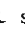
Todas las canciones del disco seleccionado o de todos los discos podrán reproducirse aleatoriamente.

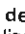
### Repetición de reproducción

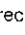
Un solo disco o todos ellos podrán reproducirse repetidamente.


**Pulse RANDOM/REPEAT mientras pulsa SHIFT.** Cada vez que se pulse, la función podrá seleccionarse cíclicamente.

**Reproducción aleatoria** — RANDOM se enciende en el visualizador.

**Repetición de reproducción** —  se enciende en el visualizador.

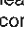
**Reproducción aleatoria/Repetición de reproducción** — RANDOM y  se encienden en el visualizador.

**Cancelación** — RANDOM y  desaparecen del visualizador.

**Para reproducir todos los discos**, pulse  para iniciar la reproducción.

**Para reproducir un solo disco**, pulse uno de los botones DISC DIRECT PLAY 1-3 para iniciar la reproducción.

### NOTA

Durante la reproducción aleatoria no será posible saltar a la canción previamente reproducida con .

## REPRODUCCION CON SALTO DE SECCIONES EN BLANCO

Las secciones en blanco entre las canciones grabadas de un disco compacto pueden saltarse durante la reproducción.

### 1 Pulse CD BLANK SKIP.

Se visualiza "CD BLANK SKIP ON" y aparece un punto pequeño en el visualizador.

Punto pequeño



### 2 Pulse para iniciar la reproducción.

Las secciones en blanco entre canciones se saltarán, y el sonido se reproducirá sin interrupción. Si una canción termina con desvanecimiento (el sonido va disminuyendo gradualmente), la parte con desvanecimiento también se saltará.

### Para volver a la reproducción normal

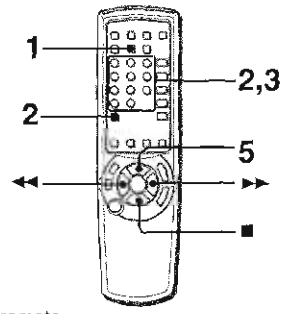
Pulse de nuevo CD BLANK SKIP, y "CD BLANK SKIP OFF" se visualiza y el punto desaparece del visualizador.

### NOTA

- Puede haber casos en los que la REPRODUCCION CON SALTO DE SECCIONES EN BLANCO no funcionará correctamente.
- La REPRODUCCION CON SALTO DE SECCIONES EN BLANCO se cancela automáticamente cuando se realiza la GRABACION CON EDICION AI (página 22), la GRABACION CON EDICION PROGRAMADA (página 23) la grabación durante la REPRODUCCION PROGRAMADA (página 19) o la REPRODUCCION ALEATORIA (página 19).

## REPRODUCCION PROGRAMADA

Se podrá programar un máximo de 30 canciones de cualquiera de los discos introducidos.



Utilice el control remoto.

### 1 Pulse PRGM dos veces en el modo de parada. "PRGM" se visualiza.

PRGM



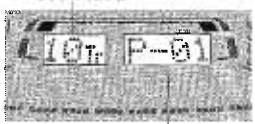
• Cuando PRGM se pulse una vez en el paso 1, la unidad se pondrá en el modo PROGRAMA DE KARAOKE (página 25).

### 2 Pulse DISC DIRECT PLAY, y luego pulse uno de los botones numerados 1-3 antes de que pasen 3 segundos para seleccionar un disco.

### 3 Pulse los botones numerados 0-9 y +10 para programar una canción.

Ejemplo:  
Para seleccionar la canción número 25, pulse +10, +10 y 5.  
Para seleccionar la canción número 10, pulse +10 y 0.

Número de la canción seleccionada



Número de programa

Número total de canciones seleccionadas

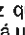



Tiempo de reproducción total de las canciones seleccionadas


### 4 Repita los pasos 2 y 3 para programar otras canciones.

### 5 Pulse para iniciar la reproducción.

### Para comprobar el programa

Cada vez que se pulse  o  en el modo de parada, se visualizará un número de disco, un número de canción y un número de programa.

### Para borrar el programa

Pulse  CLEAR en el modo de parada.

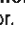
### Para añadir canciones al programa

Repita los pasos 2 y 3 en el modo de parada. La canción se programará después de la última canción.

### Para cambiar las canciones programadas

Borre el programa y repita de nuevo todos los pasos.

### Para reproducir repetidamente las canciones programadas

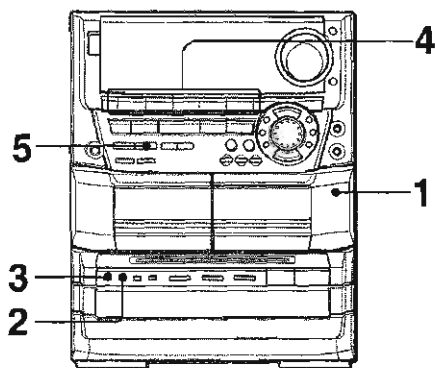
Después de programar las canciones, pulse repetidamente RANDOM/REPEAT hasta que aparezca  en el visualizador.

### NOTA

- Durante la reproducción programada no se puede realizar la reproducción aleatoria, comprobar el tiempo restante y seleccionar un disco o una canción. "Can't USE" se visualizará si intenta seleccionar una canción.
- "FULL" se visualizará si usted intenta programar más de 30 canciones.

## GRABACION BASICA

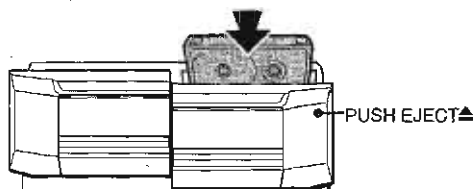
Esta sección explica cómo grabar del sintonizador, del reproductor de discos compactos o de un equipo exterior.



### Preparación

- Para la grabación, utilice cintas tipo I (normal) y tipo II (alta polarización/CrO<sub>2</sub>).
- Ponga la cinta en el punto donde vaya a iniciar la grabación.

- 1 Inserte la cinta que vaya a grabar en la platina 2.**  
Inserte la cinta con la cara que vaya a grabar en primer lugar hacia afuera de la unidad.



- 2 Pulse REV MODE para seleccionar el modo de inversión.**

Para grabar en una cara solamente, seleccione  $\square$ .  
Para grabar en ambas caras, seleccione  $\square$  o  $\square$ .

- 3 Pulse DOLBY NR para activar o desactivar Dolby NR.**

Para grabar con DOLBY NR, encienda  $\square$  NR.  
Para grabar sin DOLBY NR, apague  $\square$  NR.

- 4 Pulse el botón de función (TUNER/BAND, VIDEO/AUX, CD o MD) y prepare la fuente de sonido de la que vaya a grabar.**

**Para grabar de un disco compacto,** pulse **CD** e introduzca el(los) disco(s).

**Para grabar de una radiodifusión,** pulse **TUNER/BAND** y sintonice una emisora.

**Para grabar de una fuente conectada,** pulse **VIDEO/AUX** o **MD**.

- 5 Pulse ● REC/REC MUTE para iniciar la grabación.**

Cuando grabe de una fuente conectada, inicie la reproducción en esa fuente.



Cuando la función seleccionada sea CD, la reproducción y la grabación empezarán simultáneamente.

Para detener la grabación, pulse  $\blacksquare$ .

Para hacer una pausa en la grabación, pulse  $\blacksquare$ . (Aplicable cuando la fuente es TUNER, VIDEO/AUX o MD.) Para reanudar la grabación, vuelva a pulsar el botón.

### Ajuste de sonido durante la grabación

El control VOLUMEN no causa ningún efecto en la grabación. Sólo ajusta el sonido de los altavoces y de los auriculares. Sin embargo, recuerde que la grabación asume las funciones BEAT, AUTO SPICE/FILL IN, SPICE A/B, así como también la función BBE.

## INSERCIÓN DE ESPACIOS SIN GRABAR

La inserción de espacios sin grabar de 4 segundos le permite activar la función del sensor musical. (Puede aplicarse cuando la fuente de sonido es TUNER/BAND, VIDEO/AUX o MD).

- 1 Pulse ● REC/REC MUTE durante la grabación o en el modo de pausa de grabación.**

**REC** parpadeará en el visualizador durante 4 segundos y se creará un espacio sin grabar de 4 segundos. Luego, la platina entrará en el modo de pausa de grabación.

- 2 Pulse  $\blacksquare$  para reanudar la grabación.**

**Para insertar un espacio en blanco de menos de 4 segundos,** pulse de nuevo ● REC/REC MUTE mientras parpadea **REC**.

**Para insertar espacios en blanco de más de 4 segundos,** después de que la platina entre en el modo de pausa de grabación, pulse de nuevo ● REC/REC MUTE.

Cada vez que se pulse el botón se añadirá un espacio en blanco de 4 segundos.

### NOTA

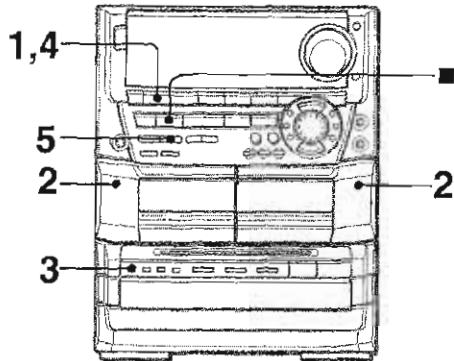
Si se intenta grabar en una cinta cuyo casete tiene las lengüetas de plástico rotas se visualizará "Can't REC".

### Para borrar una grabación

Asegúrese de que el(los) micrófono(s) no esté(n) conectado(s) a esta unidad. Además, asegúrese de que BEAT y AUTO SPICE estén apagados (página 9).

- 1 Introduzca la cinta que vaya a borrar en la platina 2 y pulse TAPE DECK 1/2 para visualizar "TP 2".**
- 2 Ponga la cinta en el punto donde vaya a empezar a borrar.**
- 3 Ponga el modo de inversión pulsando REV MODE (DECK 2).**
- 4 Pulse ● REC/REC MUTE para iniciar el borrado.**

## COPIADO MANUAL DE UNA CINTA



### NOTA

- Ponga la cinta en el punto donde vaya a empezar la grabación.
- El modo de inversión se ajusta automáticamente a  $\Sigma$ .  
Tenga en cuenta que la grabación se hará en una cara de la cinta solamente.

**1** Pulse **TAPE DECK 1/2**.

**2** Inserte la cinta original en la platina 1 y la cinta que vaya a grabar en la platina 2.

Inserte las cintas con las caras que vaya a reproducir o grabar hacia afuera de la unidad.

**3** Pulse **DOLBY NR** para desactivar Dolby NR.

$\square\square$  NR se apagará en el visualizador.

**4** Pulse **TAPE/DECK 1/2** para seleccionar la platina 1.

"TP 1" se visualizará.

**5** Pulse  $\bullet$  **REC/REC MUTE** para iniciar la grabación.

La reproducción y la grabación empezarán simultáneamente.



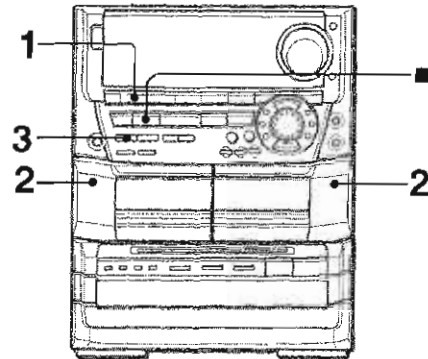
**Para detener el copiado**

Pulse  $\blacksquare$ .

**Para ajustar Dolby NR cuando reproduzca la cinta copiada**

Pulse **DOLBY NR** y active o desactive Dolby NR según el modo empleado en la cinta original.

## COPIADO DE TODA LA CINTA



Esta función le permitirá hacer copias exactas de ambas caras de la cinta original. La cara de inversión de ambas cintas empezará simultáneamente tan pronto como termine de invertirse la cinta más larga.

### NOTA

- La copia no empieza desde un punto ubicado en medio de la cinta.
- El modo de inversión se pone automáticamente en  $\Sigma$ .
- El ajuste Dolby NR no afecta a la grabación.

**1** Pulse **TAPE DECK 1/2**.

**2** Inserte la cinta original en la platina 1 y la cinta que vaya a grabar en la platina 2.

Inserte cada cinta con la cara que vaya a ser reproducida o grabada hacia afuera de la unidad.

**3** Pulse una o dos veces **SYNC DUB** para iniciar la grabación.

① **Para grabar a velocidad normal**, púlselo una vez para visualizar **NORM-DUB**.

② **Para grabar a alta velocidad**, púlselo dos veces para visualizar **HIGH-DUB**.

①

②



Las cintas se rebobinan hasta el principio de las caras delanteras y comienza la grabación.

**Para detener el copiado**

Pulse  $\blacksquare$ .

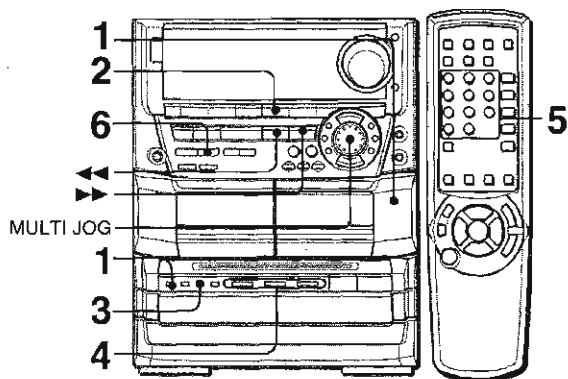
**Para ajustar Dolby NR cuando reproduzca la cinta copiada**

Pulse **DOLBY NR** y active o desactive Dolby NR según el modo empleado en la cinta original.

### NOTA

La grabación no empezará si las lengüetas de prevención de borrado de ambos lados de la cinta están rotas.

# GRABACION CON EDICION AI



La función de grabación con edición AI permite grabar discos compactos sin preocuparse de la duración de la cinta y de las canciones. Cuando se inserte un disco compacto, la unidad calculará automáticamente la duración total de las canciones. En caso de ser necesario, el orden de las canciones cambiará para que ninguna de ellas quede cortada. (AI: Inteligencia Artificial)

### NOTA

La grabación con edición AI no empezará desde un punto que se encuentre en medio de la cinta. La cinta deberá grabarse desde el principio de cada cara.

**1** Inserte la cinta en la platina 2 y pulse **DOLBY NR** para activar o desactivar Dolby NR.

Inserte la cinta con la cara que vaya a grabar en primer lugar hacia afuera de la unidad.

**2** Pulse **CD** e introduzca el (los) disco (s).

**3** Pulse una vez **CD EDIT/CHECK**.

"EDIT" se visualizará



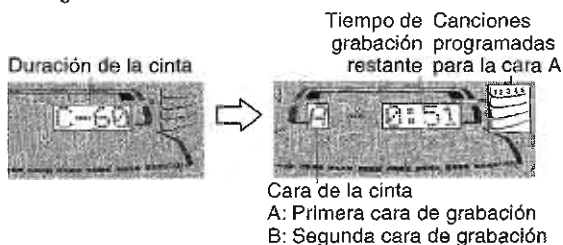
• Cuando se visualice "PRGM", pulse **CD EDIT/CHECK**.

**4** Pulse **DISC DIRECT PLAY 1-3** para seleccionar un disco.

**5** Pulse los botones numerados 0-9 del control remoto para designar la duración de la cinta.

Se puede especificar una duración de 10 a 99 minutos. Ejemplo: Cuando utilice una cinta de 60 minutos, pulse **6** y **0**. En unos pocos segundos, las canciones que van a ser grabadas en cada cara de la cinta serán determinadas.

• **◀▶** o **MULTI JOG** también se pueden utilizar para designar la duración de la cinta.



**6** Pulse **● REC/REC MUTE** para iniciar la grabación de la primera cara.

La cinta se rebobinará hasta el principio de la primera cara, el segmento guía avanzará durante 10 segundos y la grabación empezará. Cuando termine de grabarse la cara delantera (cara A) empezará la grabación de la cara trasera (cara B).

**Para detener la grabación**

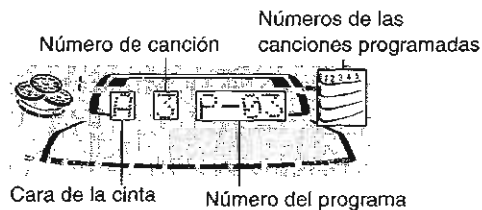
Pulse **■**. La grabación y la reproducción del disco compacto se pararán simultáneamente.

**Para borrar el programa de edición**

Pulse dos veces **■ CLEAR** para que "EDIT" desaparezca del visualizador.

**Para comprobar el orden de los números de las canciones programadas**

Antes de grabar, pulse **CD EDIT/CHECK** para seleccionar la cara A o B, y pulse repetidamente **◀▶**.



**Para añadir canciones de otros discos a un programa de edición**

Si queda tiempo en la cinta después del paso 5, usted podrá añadir canciones de otros discos que se encuentren en el compartimiento de los discos compactos.

**1** Pulse **CD EDIT/CHECK** para seleccionar la cara A o la B.  
**2** Pulse **DISC DIRECT PLAY 1-3** para seleccionar un disco.  
**3** Pulse los botones numerados del control remoto para seleccionar canciones.

Una canción cuyo tiempo de reproducción sea superior al tiempo restante no podrá ser programada.

**4** Repita los pasos 2 y 3 para añadir más canciones.

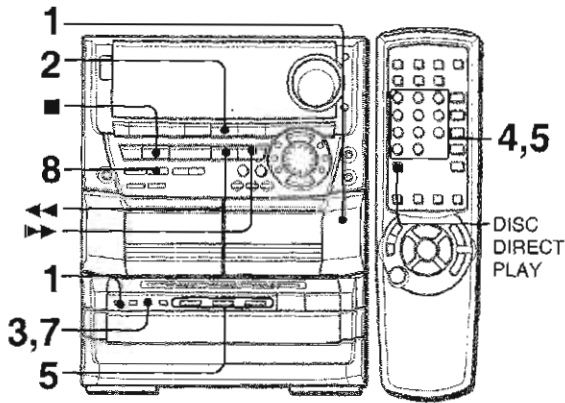
**Tiempo de las cintas de casete y tiempo de edición**

El tiempo real de grabación de los casetes es por lo general un poco más largo que el tiempo de grabación especificado en sus etiquetas. Esta unidad puede programar canciones para utilizar ese tiempo extra. Cuando el tiempo total de grabación sea un poco más largo que el tiempo de grabación especificado en el casete, después de la edición, el visualizador mostrará el tiempo extra (sin un signo menos) en lugar del tiempo restante de la cinta (con el signo menos).

### NOTA

- La función de grabación con edición AI no se podrá utilizar con discos que tengan 31 canciones o más. Si se intenta hacer esto se visualizará "TR OVER".
- La grabación no podrá realizarse si están rotas las lengüetas de prevención de borrado de ambos lados de la cinta.

## GRABACION CON EDICION PROGRAMADA



En la función de grabación con edición programada, las canciones pueden programarse mientras se comprueba el tiempo restante de cada cara de la cinta.

### NOTA

La grabación con edición programada no empezará desde un punto ubicado en medio de la cinta. La cinta deberá grabarse desde el principio de una de las caras.

#### 1 Inserte la cinta en la platina 2 y pulse DOLBY NR para activar o desactivar Dolby NR.

Inserte la cinta con la cara que vaya a grabar en primer lugar hacia afuera de la unidad.

#### 2 Pulse CD e introduzca el(los) disco(s).

#### 3 Pulse dos veces CD EDIT/CHECK.

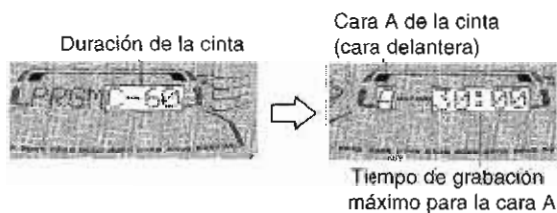
"EDIT" y "PRGM" se visualizarán.

- Cuando se visualice "AI", pulse de nuevo CD EDIT/CHECK.

#### 4 Pulse los botones numerados del control remoto para designar la duración de la cinta.

Se puede especificar una duración de 10 a 99 minutos.

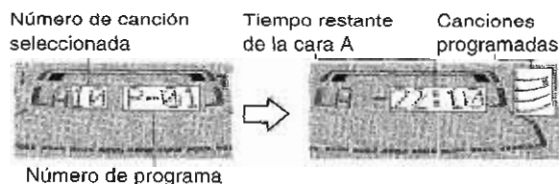
- ◀◀, ▶▶ o MULTI JOG también se encuentran disponibles para designar la duración de la cinta.



#### 5 Pulse DISC DIRECT PLAY 1-3 para seleccionar un disco.

#### Luego, pulse los botones numerados 0-9 y +10 del control remoto para programar una canción.

Ejemplo: Para seleccionar la canción número 10 del disco 2, pulse DISC DIRECT PLAY 2, y luego pulse +10 y 0.



#### 6 Repita el paso 5 para el resto de las canciones para la cara A.

Una canción cuyo tiempo de grabación sea superior al tiempo restante no podrá ser programada.

#### 7 Pulse CD EDIT/CHECK para seleccionar la cara B y programe las canciones para la cara B.

Después de confirmar que "B" aparezca en el visualizador, repita el paso 5.

Cara B de la cinta (cara trasera)



#### 8 Pulse ● REC/REC MUTE para iniciar la grabación.

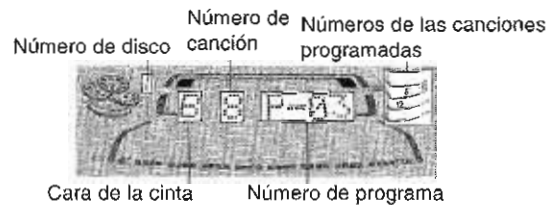
La cinta se rebobina hasta el principio de la cara delantera, el segmento guía avanza durante 10 segundos y empieza la grabación. Cuando termine de grabarse la cara delantera (A) empezará la grabación de la cara trasera (B).

#### Para detener la grabación

Pulse ■. La grabación y la reproducción del disco compacto pararán simultáneamente.

#### Para comprobar el orden de los números de las canciones programadas

Antes de grabar, pulse CD EDIT/CHECK para seleccionar la cara A o B, y pulse repetidamente ◀◀ o ▶▶.



#### Para cambiar el programa de cada cara

Pulse CD EDIT/CHECK para seleccionar la cara A o B, y pulse ■ CLEAR para borrar el programa de la cara seleccionada. Luego vuelva a programar canciones.

#### Para borrar el programa de edición

Pulse dos veces ■ CLEAR para que "EDIT" desaparezca del visualizador.

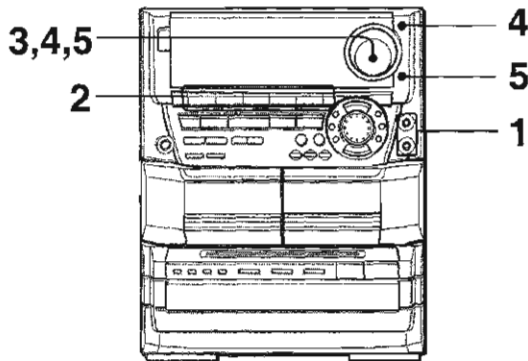
### NOTA

- Se puede programar un máximo de 30 canciones de cualquiera de los discos insertados.
- "FULL" se visualizará si usted intenta programar más de 30 canciones.
- La grabación no podrá realizarse si están rotas las lengüetas de prevención de borrado de ambos lados de la cinta.

GRABACION

E

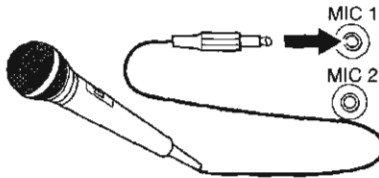
## MEZCLA MICROFONICA



A esta unidad podrán conectarse dos micrófonos (no suministrados), permitiéndole así cantar con el acompañamiento de las fuentes musicales.

Utilice micrófonos con miniclavijas (3,5 mm ø).

### 1 Conecte sus micrófonos a las tomas MIC 1 y MIC 2.



2 Pulse uno de los botones de función para seleccionar la fuente de sonido que vaya a ser mezclada y luego reproduzca.

3 Ajuste el volumen y el tono de la fuente de sonido.

4 Pulse MIC y gire VOLUME antes de que pasen 4 segundos para ajustar el volumen de los micrófonos.

El volumen de los micrófonos se puede seleccionar entre 1 y MAX (7) u OFF (cancelación).

El volumen de ambos micrófonos se ajustará simultáneamente.

5 Pulse ECHO y gire VOLUME antes de que pasen 4 segundos para ajustar el nivel de eco.

El nivel de eco se puede seleccionar entre 1 y MAX (7) u OFF (cancelación).

### Para cambiar el tiempo de retardo del eco

Mantenga pulsado ECHO estando activada la función de eco. "L" (largo) y "M" (medio) se visualizarán alternativamente. Suelte el botón en la posición deseada.

### Para grabar el sonido de los micrófonos mezclado con el sonido de la fuente

Siga el procedimiento de grabación de la fuente de sonido (consulte la página 20).

SYNC DUB no se podrá utilizar para grabar la mezcla.

### Cuando no utilice los micrófonos

Ponga el volumen de los micrófonos y el nivel de eco en OFF y desconecte los micrófonos de las tomas MIC.

### NOTA

- Cuando se cambie el nivel de MIC o ECHO, el modo SURROUND se cancelará automáticamente.
- Si un micrófono se pone demasiado cerca de los altavoces quizá se produzca un ruido de aullido. En este caso, separe el micrófono de los altavoces o disminuya el volumen del micrófono.
- Si el sonido de los micrófonos se pone a un nivel demasiado alto quizá se distorsione. En este caso, disminuya el volumen de los micrófonos.
- Cuando se cambie la función, el ajuste de volumen de los micrófonos y el ajuste de volumen del eco se cancelarán.

### Micrófonos recomendados

Se recomienda utilizar micrófonos tipo unidireccional para evitar el aullido. Póngase en contacto con su concesionario Aiwa para que le dé los detalles.

## FUNCIONES DE DESVANECIMIENTO DE VOZ/MULTIPLEX

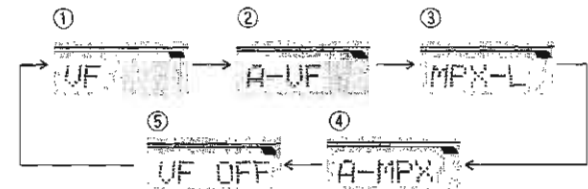
Esta unidad puede utilizar discos o cintas como fuentes de Karaoke.

Utilice la función de desvanecimiento de voz para discos o cintas normales.

Utilice la función de múltiplex para discos o cintas de audio múltiplex.

Pulse repetidamente KARAOKE para seleccionar la función de desvanecimiento de voz o de múltiplex.

Cada vez que se pulse KARAOKE, una de las funciones siguientes se seleccionará en orden.



### ① Desvanecimiento de voz

La voz del cantante se hace más suave que la del acompañamiento.

### ② Desvanecimiento de voz automático

La voz del cantante se hace más suave sólo mientras hay una entrada de audio por un micrófono.

### ③ Múltiplex

Sólo se oye el sonido del canal izquierdo por ambos altavoces, y el sonido del canal derecho se silencia.

### ④ Múltiplex automático

El sonido del canal izquierdo se oye por ambos altavoces, y el sonido del canal derecho se silencia sólo mientras hay una entrada de audio por un micrófono.

### ⑤ Cancelación

### Para cambiar el ajuste del retardo de tiempo en las funciones de desvanecimiento de voz automático y de múltiplex automático

La voz silenciada del cantante podrá reponerse más rápidamente.

Cuando se seleccione el desvanecimiento de voz automático o múltiplex automático, "A-VF" o "A-MPX" se visualizará durante 3 segundos y cambiará al nombre de la función seleccionada. Después de visualizarse el nombre de la función seleccionada, mantenga pulsado KARAOKE hasta que se visualice "FAST". Para volver al ajuste inicial, seleccione SLOW.

Cuando se desconecte la alimentación se repondrá SLOW.

### Para cambiar el canal audible en la función de múltiplex

Cuando se seleccione múltiplex, "MPX-L" se visualizará durante 3 segundos y cambiará al nombre de la función seleccionada. Después de visualizarse el nombre de la función seleccionada, mantenga pulsado KARAOKE hasta que se visualice "MPX-R".

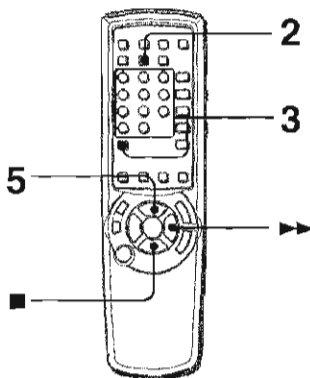
Para volver al ajuste inicial, seleccione MPX-L.

Cuando se desconecte la alimentación se repondrá MPX-L.

### NOTA

- Las funciones de Karaoke tal vez no funcionen correctamente con las clases de discos compactos o cintas siguientes:
  - Discos o cintas con sonido mono
  - Discos o cintas grabados con ecos fuertes
  - Discos o cintas con la parte vocal grabada en el lado derecho o izquierdo del sonido
- Mientras la función de Karaoke esté activada, la salida de sonido será mono.
- Cuando se cambie la función, la función de Karaoke se cancelará.

## PROGRAMA DE KARAOKE



Antes o durante la reproducción de discos compactos, usted podrá reservar un máximo de 15 canciones para reproducirlas después de la canción que esté siendo reproducida. Cada reserva se borrará cuando termine de reproducirse la canción.

Utilice el control remoto.

**1 Pulse CD e Introduzca los discos.**

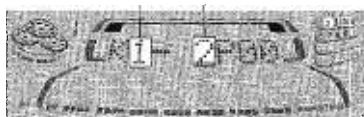
**2 Pulse PRGM una vez .**



**3 Pulse DISC DIRECT PLAY, y luego pulse uno de los botones numerados 1-3 para seleccionar un disco.**

**Luego, pulse los botones numerados 0-9 y el botón +10 para programar una canción.**

Número de disco reservado      Número de canción reservada

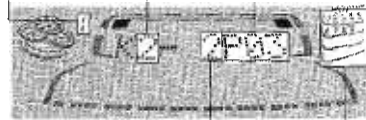


**4 Repita el paso 3 para reservar otras canciones.**

**5 Pulse ◀▶ para iniciar la reproducción.**

Después de reproducirse una canción, ésta se borrará del programa.

Disco que está siendo reproducido	Número del disco de la última reserva	Numero de canciones reservadas restantes
-----------------------------------	---------------------------------------	--



Número de canción de la última reserva	El número de la canción que está reproduciéndose parpadea.
--	--

**Para añadir una reserva durante la reproducción**

Repita el paso 3.

**Para comprobar las canciones reservadas**

Pulse CD EDIT/CHECK de la unidad principal o CD EDIT/CHECK repetidamente mientras pulsa SHIFT del control remoto. Cada vez que lo pulse, el número del disco y el número de la canción se visualizarán en el orden en el que fueron reservados.

**Para detener la reproducción**

Pulse ■.

Cuando pulse ◀▶, la reproducción empieza de nuevo desde la última canción.

**Para saltar una canción**

Pulse ▶▶. La canción saltada se borrará del programa.

**Para borrar todas las reservas**

Pulse repetidamente ▶▶ hasta que se visualice "K - P00".

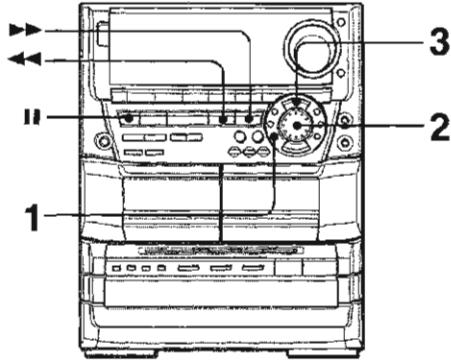


Púselo una vez más para cancelar programas de Karaoke. La visualización volverá a ser la de la reproducción de discos compactos.

### NOTA

- Si el número de la canción reservada no existe en el disco seleccionado, la unidad parará la reproducción y la visualización parpadeará. En este caso, pulse ▶▶ para omitir esa canción. Y luego pulse ◀▶ para iniciar la reproducción con la siguiente canción reservada.
- Cuando se pulse repetidamente PRGM en el paso 1, "PRGM" se visualizará y la unidad se pondrá en el modo de reproducción programada de disco compacto (página 19). Para cancelar la reproducción programada, pulse ■ CLEAR.

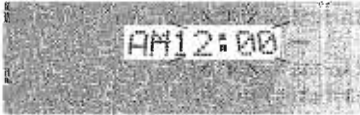
## PUESTA EN HORA DEL RELOJ



El reloj se visualiza. (":" entre las horas y los minutos parpadeará.) Cuando el cable de alimentación se enchufe en una toma de CA por primera vez después de haber adquirido el aparato o cuando el ajuste del reloj se cancele debido a un fallo en la alimentación, toda la visualización del reloj parpadeará.

### 1 Pulse CLOCK.

Cuando utilice el control remoto, pulse **CLOCK** mientras pulsa **SHIFT**.



### 2 Antes de que pasen 4 segundos, gire MULTI JOG para designar la hora y los minutos.

Al girar **MULTI JOG** cambian las horas y los minutos. También se puede utilizar ◀◀ o ▶▶ en lugar de **MULTI JOG**. Manteniendo pulsados estos botones, la hora cambiará rápidamente.

### 3 Pulse ENTER o II.

El reloj empieza a funcionar desde 00 segundos.

#### Para reponer el ajuste original del reloj

Pulse **CLOCK** antes de completar el paso 3 para reponer el ajuste anterior de la hora. Esto cancelará cualquier nuevo ajuste.

#### Para ver el reloj habiendo otra visualización en el visualizador

Pulse **CLOCK**. La hora se visualizará durante 4 segundos y luego volverá a aparecer la visualización original. Sin embargo, el reloj no podrá visualizarse durante la grabación.

#### Para cambiar al modo de 24 horas

Pulse **CLOCK** y luego pulse ■ antes de que pasen 4 segundos. Repita el mismo procedimiento para reponer el modo de 12 horas.

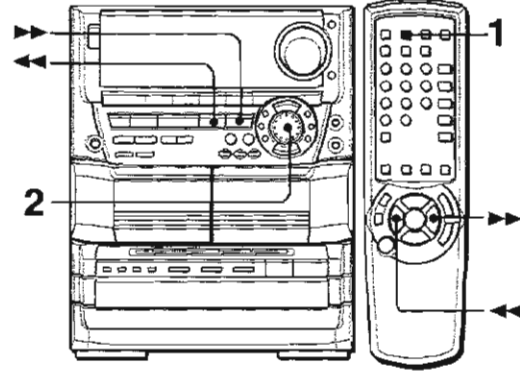
#### Si parpadea la visualización del reloj

Esto se deberá a una interrupción en el suministro de alimentación. La hora tendrá que ponerse de nuevo. Si la alimentación se interrumpe durante más de 24 horas aproximadamente, todos los ajustes almacenados en la memoria después de adquirir la unidad tendrán que ajustarse otra vez.

#### NOTA

Si está activado el modo de ahorro de energía (página 7), todas las luces del visualizador se apagarán cuando se desconecte la alimentación. Para ver el reloj, pulse **CLOCK** de forma que la hora se visualice durante 4 segundos.

## AJUSTE DEL TEMPORIZADOR PARA DORMIR



La unidad se podrá apagar automáticamente después de transcurrido un tiempo especificado.

Utilice el control remoto.

### 1 Pulse SLEEP.



### 2 Antes de que pasen 4 segundos, gire MULTI JOG para especificar el tiempo tras el cual se desconectará la alimentación.

El tiempo cambia entre 5 y 240 minutos en pasos de 5 minutos. ◀◀ y ▶▶ también se encuentran disponibles en lugar de **MULTI JOG**.

Tiempo especificado



Mientras funciona el temporizador, la indicación del visualizador será más oscura de lo normal.

#### Para comprobar el tiempo restante hasta que se desconecte la alimentación

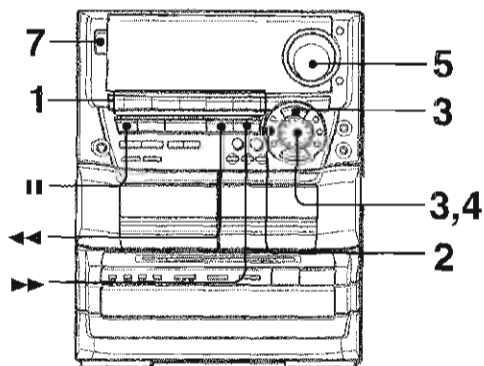
Pulse una vez **SLEEP**. El tiempo restante se visualizará durante 4 segundos.

#### Para cancelar el temporizador para dormir

Pulse dos veces **SLEEP** para que "SLEEP OFF" aparezca en el visualizador.



## AJUSTE DEL TEMPORIZADOR



La unidad podrá encenderse a la hora especificada todos los días gracias al temporizador incorporado.

### Preparación

Asegúrese de que la hora del reloj sea correcta.

#### 1 Pulse uno de los botones de función para seleccionar una fuente.

- Si se pulsa **TUNER BAND**, la banda no podrá seleccionarse en este paso.

#### 2 Pulse repetidamente **TIMER** hasta que $\odot$ aparezca en el visualizador.

La hora y el nombre de la fuente de sonido parpadean alternativamente.



#### 3 Antes de que pasen 6 segundos, gire **MULTI JOG** para designar la hora de encendido del temporizador, y luego pulse **ENTER** o **II**.

Al girar **MULTI JOG** cambian las horas y los minutos.

◀◀ o ▶▶ también se encuentra disponible en lugar de **MULTI JOG**. Al mantener pulsados estos botones, la hora cambiará rápidamente.



#### 4 Antes de que pasen 4 segundos, gire **MULTI JOG** para seleccionar la duración del periodo activado por temporizador.

La duración puede ajustarse entre 5 y 240 minutos en pasos de 5 minutos.

◀◀ o ▶▶ también se encuentra disponible en lugar de **MULTI JOG**.



La duración se ajustará automáticamente después de 4 segundos. También se ajustará si **ENTER** o **II** se pulsa antes de que pasen 4 segundos después del paso 4.

#### 5 Ajuste el volumen.

El sonido de la fuente se reproducirá al nivel de sonido ajustado en este paso cuando la alimentación sea conectada por el temporizador.

Sin embargo, si el nivel del sonido se ajusta a 21 o más, éste se ajustará automáticamente a 20 cuando se conecte la alimentación.

#### 6 Prepare la fuente.

Para escuchar un disco compacto, cargue el disco que vaya a reproducir en primer lugar en la bandeja 1.

Para escuchar una cinta, inserte la cinta en la platina 1 ó 2. Para escuchar la radio, sintonice una emisora.

#### 7 Pulse **POWER** para desconectar la alimentación.

Cuando llegue la hora de encendido del temporizador, la unidad se encenderá y la reproducción empezará con la fuente seleccionada.

### NOTA

Usted puede cambiar la fuente que fue seleccionada en el paso 1 pulsando uno de los botones de función antes de pulsar **ENTER** o **II** en el paso 3.

#### Para comprobar el ajuste del temporizador

Pulse **TIMER**.

La fuente seleccionada, la hora de encendido del temporizador y la duración del periodo activado por temporizador se visualizarán durante 4 segundos.

#### Para cambiar cualquiera de los ajustes anteriores

Empiece desde el paso 1.

Sin embargo, si no cambia la hora de encendido del temporizador en el paso 3, pulse dos veces **ENTER** y continúe desde el paso 4.

#### Para cancelar temporalmente el modo de espera del temporizador

Pulse repetidamente **TIMER** para que desaparezca  $\odot$ .

Para reponer el modo de espera del temporizador, púselo de nuevo para visualizar  $\odot$ .

#### Utilización de la unidad mientras esté ajustado el temporizador

Podrá utilizar normalmente la unidad después de ajustar el temporizador.

Antes de desconectar la alimentación, realice los pasos 5 y 6.

### NOTA

- La reproducción y la grabación con temporizador no empezarán si no se desconecta la alimentación.

- El equipo conectado no se podrá encender ni apagar con el temporizador incorporado de esta unidad. Utilice en este caso un temporizador externo.

## GRABACION CON TEMPORIZADOR

La grabación con temporizador sólo podrá utilizarse con las fuentes de sonido **TUNER** y **VIDEO/AUX** (con un temporizador externo).

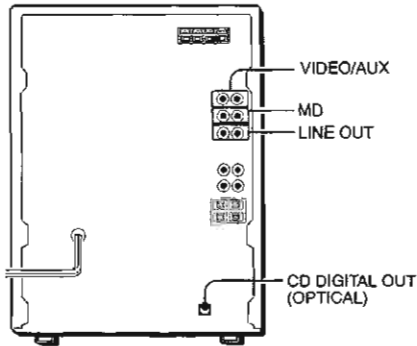
Pulse **TUNER BAND** o **VIDEO/AUX** para seleccionar una fuente, y luego pulse repetidamente **TIMER** hasta que  $\odot$ REC se visualice en el visualizador. Antes de que pasen 6 segundos, realice los pasos de "AJUSTE DEL TEMPORIZADOR", desde el 3, e inserte la cinta que vaya a grabar en la platina 2 después del paso 6.

### NOTA

- Cuando se haya activado el modo de ahorro de energía (página 7), el nivel del sonido para la grabación con temporizador será 0 (nivel mínimo).

- La función del temporizador no se puede utilizar para grabar un disco compacto o una cinta.

**CONEXION DE UN EQUIPO OPCIONAL**



Consulte el manual de instrucciones del equipo conectado para tener más detalles.

- Los cables de conexión no han sido suministrados. Obtenga los cables de conexión necesarios.
- Consulte a su concesionario Aiwa local en cuanto al equipo opcional.

**TOMAS VIDEO/AUX**

Esta unidad puede introducir señales de sonido analógico a través de estas tomas.

Utilice un cable con clavijas fono RCA para conectar equipos de audio (giradiscos, reproductores de discos láser, reproductores de minidiscos, videograbadoras, televisores, etc.). Conecte la clavija roja a la toma **VIDEO/AUX R** y la blanca a la toma **VIDEO AUX L**.

**Cuando conecte un giradiscos**

Utilice un giradiscos Aiwa equipado con amplificador ecualizador incorporado.

**TOMAS MD**

Estas tomas se recomiendan para conectar un reproductor de minidiscos.

Utilice un cable con clavijas fonográficas RCA. Conecte la clavija roja a la toma **MD R** y la clavija blanca a la toma **MD L**.

**TOMAS LINE OUT**

Esta unidad puede dar salida a señales de sonido analógico a través de estas tomas. Utilice un cable con clavijas fonográficas RCA para conectar el equipo de audio a las tomas **LINE IN** (entrada analógica).

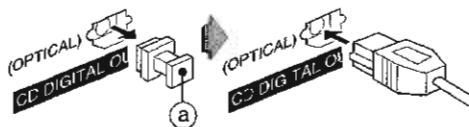
Conecte la clavija roja de un cable a **LINE OUT R** y la clavija blanca a **LINE OUT L**.

**NOTA**

No conecte simultáneamente un equipo a las tomas **LINE OUT** y a las tomas **VIDEO/AUX**. De lo contrario, se producirán ruidos y fallos en el funcionamiento.

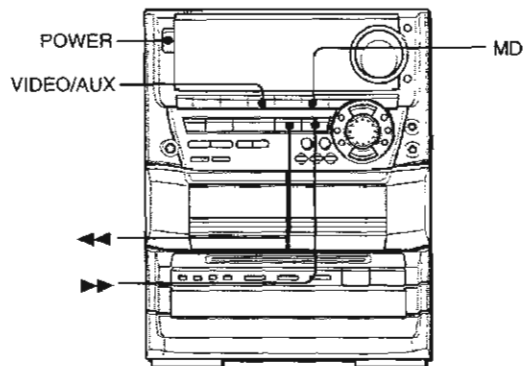
**TOMA CD DIGITAL OUT (OPTICAL)**

Esta unidad puede dar salida a señales de sonido digital de discos compactos a través de esta toma. Utilice un cable óptico para conectar equipos de audio digital (platina de cinta audiodigital, grabadora de minidiscos, etc.). Quite la tapa contra el polvo (a) de la toma **CD DIGITAL OUT (OPTICAL)**. Luego, conecte la clavija del cable óptico a la toma **CD DIGITAL OUT (OPTICAL)**.



**Cuando no se utilice la toma CD DIGITAL OUT (OPTICAL)**  
Ponga la tapa contra el polvo suministrada.

**ESCUCHA DE FUENTES DE SONIDO EXTERNAS**



Para hacer la reproducción en un equipo conectado a las tomas **VIDEO/AUX** o **MD** haga lo siguiente.

**1 Pulse VIDEO/AUX o MD.**

Para reproducir en un equipo conectado a **VIDEO/AUX**, pulse **VIDEO/AUX**. "VIDEO" aparecerá en el visualizador.

Para hacer la reproducción en un equipo conectado a **MD**, pulse **MD**. "MD" aparecerá en el visualizador.

**2 Haga la reproducción en el equipo conectado.**

**Para cambiar el nombre de una fuente de sonido en el visualizador**

Cuando se pulse **VIDEO/AUX**, "VIDEO" se visualizará inicialmente. Esto podrá ser cambiado por "AUX" o "TV".

Con la alimentación conectada, pulse **POWER** mientras pulsa **VIDEO/AUX**.

Repita el procedimiento para seleccionar uno de los nombres.

**Para ajustar el nivel del sonido de la fuente de sonido externa**

Cuando el nivel del sonido de la fuente externa sea muy superior o muy inferior al nivel del sonido de otras fuentes de sonido, ajústelo de la forma siguiente:

- 1 Pulse **VIDEO/AUX** o **MD** y haga la reproducción en el equipo.
- 2 Pulse **◀** o **▶** para que el nivel del sonido sea el mismo que el de otras fuentes de sonido.

**NOTA**

Durante la grabación, el nivel del sonido no se podrá ajustar.

**CUIDADOS Y MANTENIMIENTO**

El mantenimiento y el cuidado ocasional de la unidad y del software resultan necesarios para optimizar las prestaciones de su unidad.

**Para limpiar la caja**

Utilice un paño blando y seco.

Si las superficies están muy sucias, utilice un paño blando humedecido un poco en una solución de detergente suave. No utilice disolventes fuertes tales como alcohol, bencina o diluyente porque éstos podrán estropear el acabado de la unidad.

**Para limpiar las cabezas magnetofónicas**

Cuando las cabezas magnetofónicas estén sucias:

- el sonido de alta frecuencia no se emitirá
- el sonido no alcanzará la altura adecuada
- el sonido estará desequilibrado
- la cinta no podrá borrarse
- no podrá grabarse en la cinta

Después de cada 10 horas de utilización, limpie las cabezas magnetofónicas con un casete de limpieza de cabezas.

Consulte las instrucciones del casete de limpieza para conocer detalles.

**Para desmagnetizar las cabezas magnetofónicas**

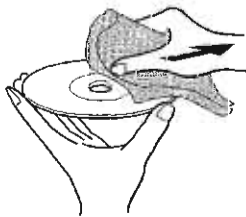
Las cabezas magnetofónicas puede magnetizarse después de utilizarlas durante mucho tiempo. Esto puede reducir la gama de salida de las cintas grabadas y aumentar el ruido.

Después de 20 a 30 horas de utilización, desmagnetice las cabezas magnetofónicas con un casete desmagnetizador vendido por separado.

Consulte las instrucciones del casete desmagnetizador para conocer más detalles.

**Cuidados de los discos**

- Cuando se ensucie un disco, límpielo pasando un paño de limpieza desde el centro hacia afuera.



- Después de reproducir un disco, guárdelo en su caja. No deje los discos en lugares calientes o húmedos.

**Cuidados de las cintas**

- Guarde las cintas en sus cajas después de utilizarlas.
- No deje las cintas cerca de imanes, motores, televisores o cualquier otra fuente de magnetismo. Esto reducirá la calidad del sonido y causará ruido.
- No exponga las cintas a la luz directa del sol, ni las deje en el interior de un automóvil estacionado bajo la luz directa del sol.

**GUIA PARA LA SOLUCION DE PROBLEMAS**

Si la unidad no funciona como se describe en este manual de instrucciones, compruebe la guía siguiente:

**GENERALIDADES**

**No hay sonido**

- ¿Está correctamente conectado el cable de alimentación de CA?
- ¿Hay alguna conexión mal hecha? (→ página 4)
- Puede haber un cortocircuito en los terminales de los altavoces.
  - Desconecte el cable de alimentación de CA y luego corrija las conexiones de los altavoces.
- ¿Se ha pulsado un botón de función equivocado?

**Sólo sale sonido de un altavoz.**

- ¿Está el otro altavoz desconectado?

**La salida de sonido no es estéreo.**

- ¿Está activada la función de Karaoke? (→ página 24)

**Se produce una visualización errónea o un mal funcionamiento.**

- Vuelva a ajustar la unidad como se indica más abajo.

**La alimentación no se conecta.**

- Desconecte el cable de alimentación y vuelva a conectarlo después de pasar unos pocos segundos.

**SECCION DEL SINTONIZADOR**

**Hay un ruido de estática constante en forma de onda.**

- ¿Está conectada correctamente la antena? (→ página 5)
- ¿Es débil la señal?
  - Conecte una antena exterior.

**La recepción tiene interferencia o el sonido está distorsionado.**

- ¿Capta el sistema ruidos externos o distorsión de múltiples trayectorias?
  - Cambie la orientación de la antena.
  - Separe la unidad de otros aparatos eléctricos.

**SECCION DE LA PLATINA**

**La cinta no se mueve.**

- ¿Está la platina 2 en el modo de pausa? (→ página 16)

**El sonido está desequilibrado o no alcanza la altura suficiente.**

- ¿Está sucia la cabeza de reproducción? (→ página 29)

**No es posible grabar.**

- ¿Está rota la lengüeta de prevención contra borrado? (→ página 20)
- ¿Está sucia la cabeza de grabación? (→ página 29)

**No es posible borrar.**

- ¿Está sucia la cabeza de borrado? (→ página 29)
- ¿Está utilizándose una cinta de metal?

**No se emite sonido de alta frecuencia.**

- ¿Está sucia la cabeza de grabación/reproducción? (→ página 29)
- ¿Está reproduciéndose una cinta grabada sin Dolby NR con el sistema Dolby NR activado? (→ página 20)

**SECCION DEL REPRODUCTOR DE DISCOS COMPACTOS**

**El reproductor de discos compactos no puede reproducir.**

- ¿Está bien puesto el disco? (→ página 18)
- ¿Está sucio el disco? (→ página 29)
- ¿Afecta la condensación a la lente?
  - Espere una hora aproximadamente y pruebe otra vez.

**Para reajustar la unidad**

Si se produce alguna condición extraña en el visualizador o en las platinas de casete, reajuste la unidad de la forma siguiente.

- 1 Pulse **POWER** para desconectar la alimentación.
- 2 Pulse **POWER** para volver a conectar la alimentación mientras pulsa **CLEAR**. Todo lo que haya sido almacenado en la memoria después de haber adquirido la unidad se borrará.

Si no puede desconectarse la alimentación en el paso 1 debido a algún mal funcionamiento, reajuste la unidad desconectando el cable de alimentación de CA y conectándolo de nuevo. Luego ejecute el paso 2.

# ESPECIFICACIONES

## Unidad principal CX-NA999

### Sección del sintonizador de FM

Gama de sintonización	87,5 MHz a 108 MHz
Sensibilidad útil (IHF)	13,2 dBf
Terminales de antena	75 ohmios (desequilibrada)

### Sección del sintonizador de AM

Gama de sintonización	530 kHz a 1710 kHz (pasos de 10 kHz) 531 kHz a 1602 kHz (pasos de 9 kHz)
Sensibilidad útil	350 µV/m

Antena	Antena de cuadro
--------	------------------

### Sección del amplificador

#### Amplificador de frecuencia media a alta

Potencia de salida	30 W + 30 W (200 Hz – 20 kHz, distorsión armónica total inferior al 1%, 6 ohmios)
Distorsión armónica total	0,1% (15 W, 1 kHz, 6 ohmios, DIN AUDIO)

#### Amplificador de baja frecuencia

Potencia de salida	90 W + 90 W (50 Hz – 200 Hz, distorsión armónica total inferior al 1%, 6 ohmios)
Distorsión armónica total	0,1% (45 W, 100 Hz, 6 ohmios, DIN AUDIO)

Entradas	VIDEO/AUX: 316 mV (ajustable) MD: 316 mV (ajustable)
----------	---

Salidas	MIC1, MIC2: 1,0 mV (10 kohmios) SPEAKERS HIGH FREQ: acepta altavoces de 6 ohmios o más SPEAKERS LOW FREQ: acepta altavoces de 6 ohmios o más SURROUND SPEAKERS: acepta altavoces de 8 ohmios a 16 ohmios LINE OUT: 150 mV PHONES (toma estéreo): acepta auriculares de 32 ohmios o más
---------	---

### Sección de la platina de cassetes

Formato de pistas	4 pistas, 2 canales estéreo
Respuesta de frecuencia	Cinta de CrO <sub>2</sub> : 50 Hz–16000 Hz Cinta normal: 50 Hz–15000 Hz
Sistema de grabación	Polarización de CA
Cabezas	Platina 1: 1 cabeza de reproducción Platina 2: 1 cabeza de grabación/ reproducción, 1 cabeza de borrado

### Sección del reproductor de discos compactos

Láser	Láser de semiconductor ( $\lambda = 780$ nm)
Convertidor D-A	1 bit doble
Relación señal a ruido	85 dB (1 kHz, 0 dB)
Distorsión armónica	0,05% (1 kHz, 0 dB)
Fluctuación y trémolo	No se puede medir

### Generalidades

Alimentación	120 V CA, 60 Hz
Consumo	170 W
Dimensiones de la unidad principal (An x Al x Prof)	260 x 324 x 340 mm
Peso de la unidad principal	11 kg

Consumo en el modo de espera	Con el modo de ahorro de energía desactivado: 36 W Con el modo de ahorro de energía activado: 1,5 W
------------------------------	--

## Sistema de altavoces SX-WNA999

Tipo de caja	4 vías, altavoz de subgraves incorporado (tipo de blindaje antimagnético)
Altavoces	Altavoz de subgraves: Tipo cónico de 200 mm Altavoz de subgraves: Tipo cónico de 120 mm Gama completa: Tipo cónico de 60 mm Altavoz para superagudos: Tipo cerámico de 20 mm
Impedancia	6 ohmios/6 ohmios
Nivel de presión acústica de salida	87 dB/W/m
Dimensiones (An x Al x Prof)	240 x 354 x 319 mm
Peso	7,0 kg


Las especificaciones y apariencia exterior están sujetas a cambios sin previo aviso.

### BBE SYSTEM

La sigla "BBE" y el símbolo "BBE" son marcas registradas de BBE Sound, Inc.

Bajo licencia de BBE Sound, Inc.

### DOLBY NR

Reducción de ruido Dolby fabricado bajo licencia de Dolby Laboratories Licensing Corporation.  
DOLBY y el símbolo de la D doble  son marcas de Dolby Laboratories Licensing Corporation.

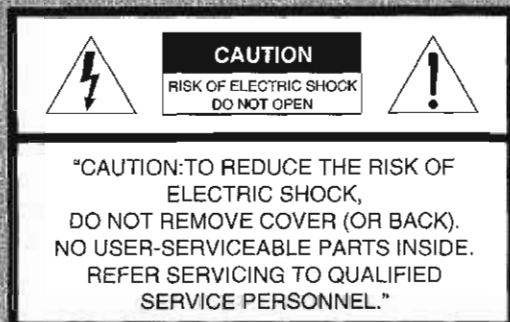
### COPYRIGHT (DERECHOS DE AUTOR)

Consulte las leyes del copyright, relacionadas con las grabaciones de discos, de la radio o de cintas, que se encuentran vigentes en el país en el que se utiliza la unidad.



## AVERTISSEMENT

POUR REDUIRE LE RISQUE DE COURT-CIRCUIT OU DE CHOC ELECTRIQUE, NE PAS EXPOSER CET APPAREIL A LA PLUIE OU A L'HUMIDITE



Signification des symboles graphiques:



L'éclair portant une flèche, situé dans un triangle équilatéral, sert à prévenir l'utilisateur de la présence d'une "tension dangereuse" non isolée à l'intérieur de l'appareil, assez élevée pour constituer un risque d'électrocution.



Le point d'exclamation situé dans un triangle équilatéral sert à prévenir l'utilisateur de la présence d'instructions importantes concernant l'utilisation et l'entretien (ou la réparation) de l'appareil dans le manuel qui accompagne ce dernier.

## Relevé du propriétaire


Pour plus de commodité, noter le numéro de modèle et le numéro de série (ces numéros se trouvent au dos de l'appareil) dans les cases ci-dessous. Prière de mentionner ces numéros quand on contacte un distributeur Aiwa en cas de difficulté.

N° de modèle	N° de série (N° de lot)
CX-NA999	
SX-WNA999	
SX-R275	

## PRECAUTIONS

Lire le mode d'emploi attentivement et complètement avant d'utiliser l'appareil. Garder le mode d'emploi pour toute référence future. Tous les avertissements et toutes les précautions donnés dans le mode d'emploi et sur l'appareil doivent être suivis à la lettre, aussi bien que les suggestions de sécurité suivantes.

### Installation

- Eau et humidité** — Ne pas utiliser cet appareil près d'eau, comme près d'une baignoire, d'une cuvette, d'une piscine ou autre.
- Chaleur** — Ne pas utiliser cet appareil près de sources de chaleur, comme sorties de chauffage, poêles ou autres appareils qui dégagent de la chaleur. L'appareil ne doit pas être soumis à des températures inférieures à 5°C ou supérieures à 35°C.
- Surface d'utilisation** — Poser l'appareil sur une surface plate et lisse.
- Ventilation** — L'appareil doit être positionné avec un espace suffisant autour afin d'assurer une dissipation adéquate de la chaleur. Laisser un espace de 10 cm derrière et dessus l'appareil, et un espace de 5 cm de chaque côté.
  - Ne pas mettre l'appareil sur un lit, un tapis ou sur une surface similaire qui pourrait obstruer les orifices de ventilation.
  - Ne pas mettre l'appareil dans une bibliothèque, un coffret ou un meuble complètement fermé où l'aération serait insuffisante.
- Entrée d'objets et de liquide** — Faire attention à ce que aucun corps étranger ou liquide ne pénètre dans l'appareil pas les orifices de ventilation.
- Chariot et support** — Si l'appareil est posé ou monté sur un support ou un chariot, déplacer ce dernier avec précaution. Les arrêts brusques, une force excessive et les surfaces inégales peuvent provoquer le renversement ou la chute de l'appareil et du chariot.
 
- Condensation** — De la condensation peut se former sur la lentille du capteur du lecteur de disques compacts quand:
  - l'appareil est déplacé d'un endroit froid à un endroit chaud.
  - le chauffage vient juste d'être mis en marche.
  - l'appareil est utilisé dans une pièce très humide.
  - l'appareil est refroidi par un climatiseur.
 S'il y a de la condensation à l'intérieur de cet appareil, il risque de ne pas fonctionner correctement. Le cas échéant, laisser l'appareil pendant quelques heures, puis essayer de nouveau de l'utiliser.
- Fixation à un mur ou un plafond** — L'appareil ne doit pas être fixé à un mur ou un plafond, à moins que ce ne soit spécifié dans le mode d'emploi.

### Energie électrique

- Alimentations électriques** — Brancher cet appareil uniquement aux alimentations électriques spécifiées dans le mode d'emploi, et comme indiqué sur l'appareil.
- Polarisation** — Comme mesure de sécurité, certains appareils sont munis de fiches polarisées d'alimentation secteur qui ne peuvent être introduites que dans un sens dans une prise de courant. S'il est difficile ou impossible d'insérer la fiche d'alimentation secteur dans une prise, retourner la fiche et essayer de nouveau. Si l'on ne peut toujours pas insérer la fiche dans la prise, s'adresser à un électricien qualifié pour faire réparer ou changer la prise. Afin de ne pas annuler la sécurité de la fiche polarisée, ne pas insérer cette fiche en force dans une prise.

### 3 Cordon d'alimentation secteur

- Pour débrancher le cordon d'alimentation secteur, le tirer par sa fiche. Ne pas tirer sur le cordon proprement dit.
- Ne jamais tenir la fiche d'alimentation secteur avec les mains mouillées, cela pourrait se traduire par un court-circuit ou un choc électrique.
- Les cordons d'alimentation doivent être installés de manière à ne pas être pliés, pincés ou piétinés. Faire particulièrement attention au cordon allant de l'appareil à la prise de courant.
- Eviter de surcharger les prises d'alimentation et les rallonges au-delà de leur capacité, cela pourrait se traduire par un court-circuit ou un choc électrique.

**4 Rallonge** — Afin d'éviter tout choc électrique, ne pas utiliser une fiche polarisée d'alimentation secteur avec une rallonge ou une prise si cette fiche ne peut pas être insérée complètement de manière que ses lames ne soient pas exposées.

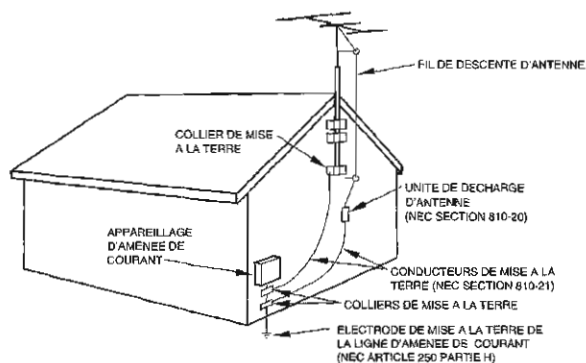
**5 Périodes de non-utilisation** — Débrancher le cordon d'alimentation secteur de la prise de courant si l'appareil ne doit pas être utilisé pendant plusieurs mois ou plus. Quand le cordon est branché, un courant de faible intensité continue de circuler dans l'appareil même si l'alimentation est coupée.

### Antenne extérieure

**1 Lignes d'amenee de courant** — Quand on branche une antenne extérieure, s'assurer qu'elle est située à l'écart de toute ligne d'amenee de courant.

**2 Mise de l'antenne extérieure à la terre** — Afin d'assurer une protection contre toute impulsion de tension et contre toute accumulation d'électricité statique, s'assurer que l'antenne est correctement mise à la terre. L'article 810 du code national d'électricité (NEC), ANSI/NFPA 70, fournit des informations au sujet de la mise à la terre du mât, de la structure de support et du conducteur arrivant à l'unité de décharge d'antenne et au sujet des dimensions des conducteurs de mise à la terre, de la connexion aux électrodes de mise à la terre et des exigences concernant ces électrodes.

Mise à la terre d'une antenne selon le code national d'électricité (NEC)



NEC: CODE NATIONAL D'ELECTRICITE

### Entretien

Nettoyer l'appareil uniquement comme recommandé dans le mode d'emploi.

### Domage nécessitant une réparation

S'adresser à un technicien qualifié pour faire réparer l'appareil si:

- Le cordon ou la fiche d'alimentation secteur de l'appareil est endommagé
- Tout corps étranger ou liquide est entré dans l'appareil
- L'appareil a été exposé à la pluie ou à de l'eau
- L'appareil ne semble pas fonctionner normalement
- L'appareil présente un changement notable de performances
- L'appareil a subi un choc, ou son coffret a été endommagé

**N'ESSAYEZ PAS DE REPARER L'APPAREIL VOUS-MEME.**

## TABLE DES MATIERES

PRECAUTIONS .....	2
<b>PREPARATIONS</b>	
CONNEXIONS .....	4
TELECOMMANDE .....	6
AVANT L'UTILISATION .....	6
<b>SON</b>	
REGLAGES AUDIO .....	9
FONCTION GENERATION DE RYTHME (BEAT MASTER DX) .....	9
EGALISEUR GRAPHIQUE .....	13
SURROUND DSP .....	14
<b>RECEPTION RADIO</b>	
ACCORD MANUEL .....	15
MEMORISATION DE STATIONS .....	15
<b>LECTURE DE CASSETTES</b>	
OPERATIONS DE BASE .....	16
LECTURE CONTINUE .....	17
<b>LECTURE DE DISQUES COMPACTS</b>	
OPERATIONS DE BASE .....	18
LECTURE PROGRAMMEE .....	19
<b>ENREGISTREMENT</b>	
ENREGISTREMENT DE BASE .....	20
DUPLICATION MANUELLE D'UNE CASSETTE .....	21
DUPLICATION DE LA TOTALITE D'UNE CASSETTE ...	21
ENREGISTREMENT AVEC MONTAGE ET CALCUL DU TEMPS .....	22
ENREGISTREMENT AVEC MONTAGE PROGRAMME .....	23
<b>KARAOKE</b>	
MIXAGE AVEC MICROPHONE .....	24
PROGRAMME DE KARAOKE .....	25
<b>HORLOGE ET MINUTERIE</b>	
REGLAGE DE L'HORLOGE .....	26
REGLAGE DE LA MINUTERIE D'ARRET .....	26
REGLAGE DE LA MINUTERIE .....	27
<b>AUTRES CONNEXIONS</b>	
CONNEXION D'UN APPAREIL OPTIONNEL .....	28
ECOUTE DE SOURCES EXTERNES .....	28
<b>GENERALITES</b>	
SOINS ET ENTRETIEN .....	29
EN CAS DE PROBLEME .....	29
SPECIFICATIONS .....	30
NOMENCLATURE .....	Couverture du dos

F

## PREPARATIONS

# CONNEXIONS

Contrôler la chaîne et les accessoires.

### NSX-A999

CX-NA999 Récepteur magnétocassette lecteur de disques compacts stéréo

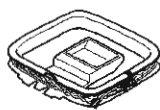
SX-WNA999 Enceintes avant

SX-R275 Enceintes surround

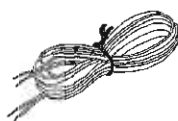
Télécommande



Antenne AM



Antenne FM



Mode d'emploi, etc.

### Avant de brancher le cordon secteur

La tension nominale d'alimentation de l'appareil, indiquée au dos de ce dernier, est de 120 V. S'assurer que cette tension nominale correspond à celle du secteur local.

### IMPORTANT

Commencer par connecter les enceintes, les antennes et tout appareil optionnel. Brancher le cordon secteur en dernier.

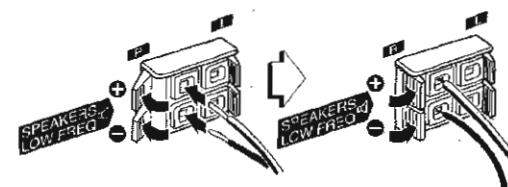
Il n'y a pas de différence entre les enceintes avant. Chacune d'elles peut être connectée comme enceinte gauche (L) ou droite (R).

### 1 Connecter l'enceinte droite à l'appareil principal.

① Connecter le cordon d'enceinte muni d'une fiche à la borne **SPEAKERS HIGH FREQ R**.

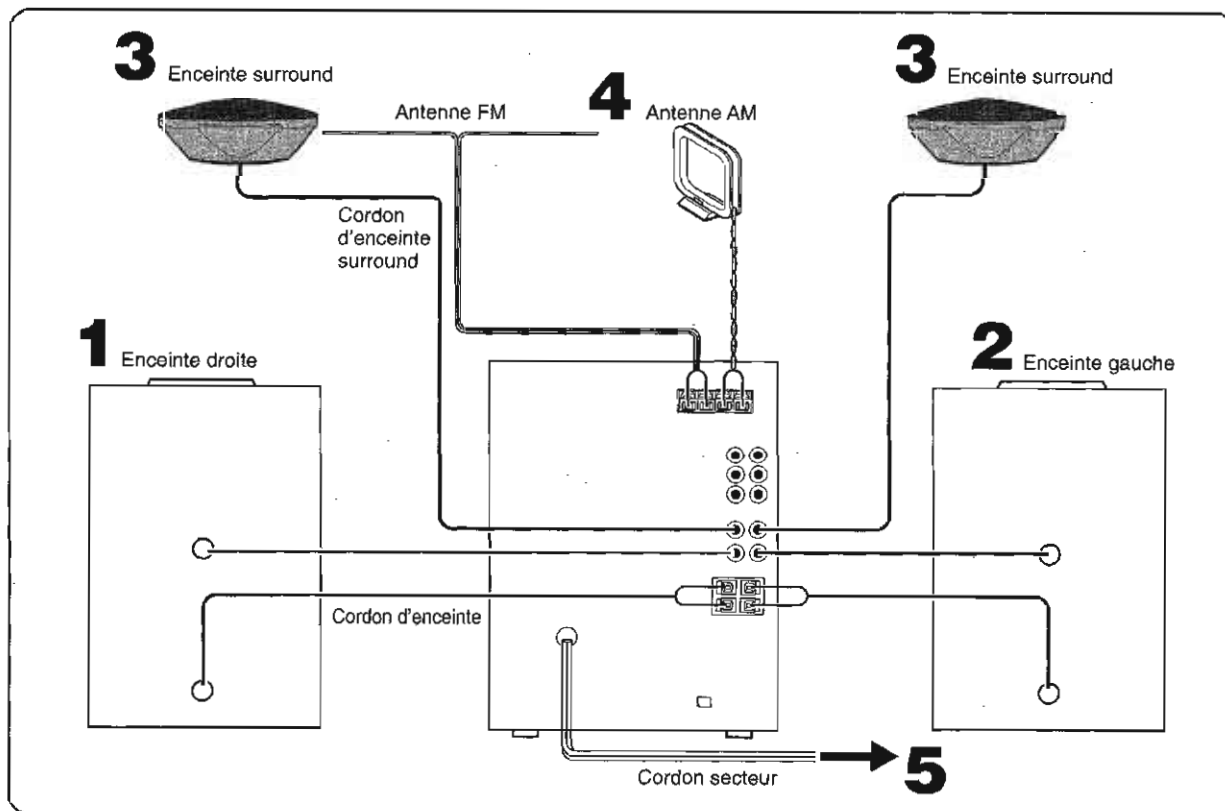


② Connecter le cordon d'enceinte rayé de blanc à la borne **SPEAKERS LOW FREQ R +** et le cordon noir à la borne **-**.



### 2 Connecter l'enceinte gauche à l'appareil principal.

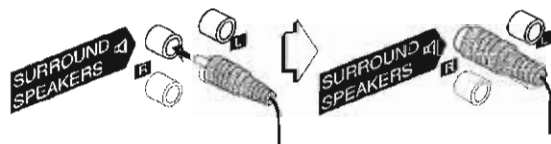
Connecter le cordon d'enceinte muni d'une fiche à la borne **SPEAKERS HIGH FREQ L** et l'autre cordon d'enceinte aux bornes **SPEAKERS LOW FREQ L** de la même manière qu'à l'étape 1.





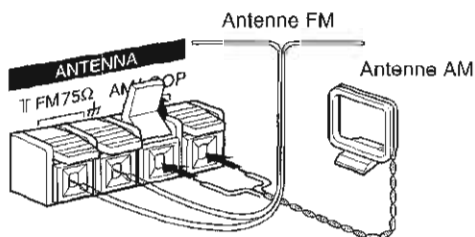
### 3 Connecter les enceintes surround à l'appareil principal.

Il n'y a pas de différence entre les enceintes surround.  
Connecter le cordon de chaque enceinte surround à la borne SURROUND SPEAKERS R ou L.



### 4 Connecter les antennes fournies.

Connecter l'antenne FM aux bornes FM 75 Ω et l'antenne AM aux bornes AM LOOP.



### 5 Brancher le cordon secteur à une prise de courant.

- Le jeu Demo démarre quand on branche le cordon secteur à une prise de courant. Pour plus de détails, voir la partie "Jeu Demo", page 8.

#### Pour positionner les antennes

##### Antenne FM intérieure:

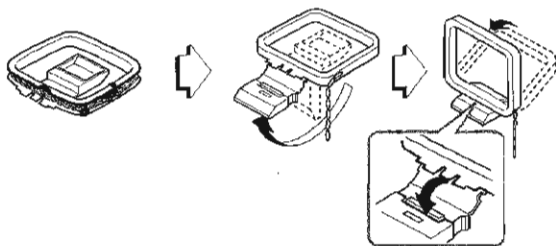
Déployer cette antenne horizontalement selon la forme d'un T et fixer ses extrémités à un mur.

##### Antenne AM:

Positionner cette antenne de manière à obtenir la meilleure réception possible.

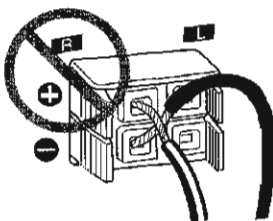
#### Pour poser l'antenne AM sur une surface

Fixer la griffe dans la rainure.



#### REMARQUE

- Veiller à connecter les cordons d'enceinte correctement. Des connexions incorrectes peuvent provoquer des courts-circuits dans les bornes SPEAKERS.

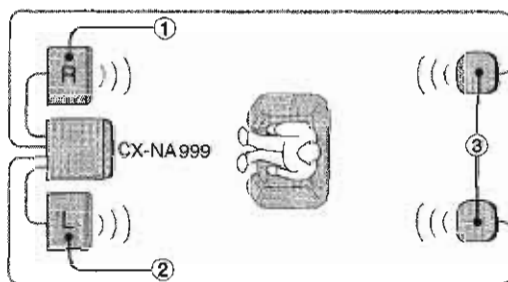


- Ne pas laisser d'objets produisant un champ magnétique, tels que des cartes de crédit, près des enceintes; ils pourraient être endommagés.
- Ne pas mettre l'antenne FM près d'objets métalliques ou de tringles à rideaux.
- Ne pas mettre l'antenne AM près d'un appareil optionnel, de la chaîne stéréo proprement dite, du cordon secteur ou des cordons d'enceinte; elle capterait des parasites.
- Ne pas dérouler le fil de l'antenne AM.

## POSITIONNEMENT DES ENCEINTES

Positionner les enceintes de manière à obtenir le meilleur effet possible du système SURROUND.

#### Positionnement standard

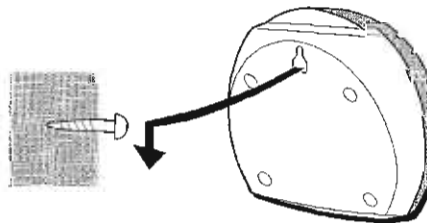


- Enceinte avant (gauche)
- Enceinte avant (droite)
- Enceinte surround

Mettre les enceintes surround derrière la zone d'écoute.

#### Pour fixer les enceintes surround à un mur

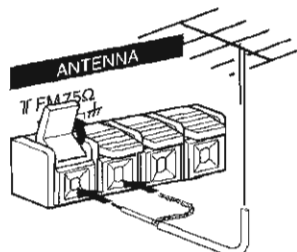
Fixer chaque enceinte à un endroit qui peut supporter son poids.



## CONNEXION D'UNE ANTENNE EXTERIEURE

Pour obtenir une meilleure réception FM, il est recommandé d'utiliser une antenne FM extérieure.

Connecter l'antenne extérieure aux bornes FM 75 Ω.

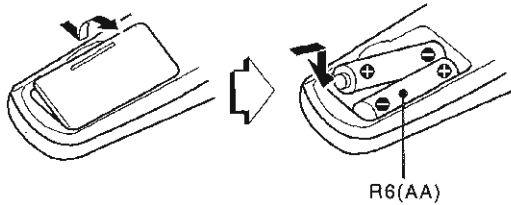


Pour connecter un autre appareil optionnel → page 28.

## TELECOMMANDE

### Mise en place des piles

Enlever le couvercle des piles du dos de la télécommande et mettre deux piles R6 (taille AA) en place.

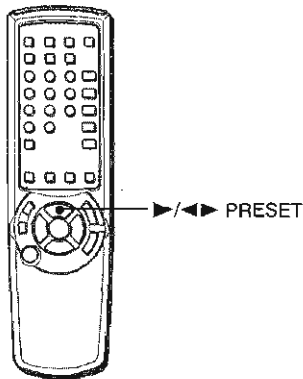


### Quand remplacer les piles

La distance maximale de fonctionnement entre la télécommande et le capteur situé sur l'appareil principal doit être d'environ cinq mètres. Lorsque cette distance diminue, remplacer les piles par des neuves.

### ►/◄ PRESET de la télécommande

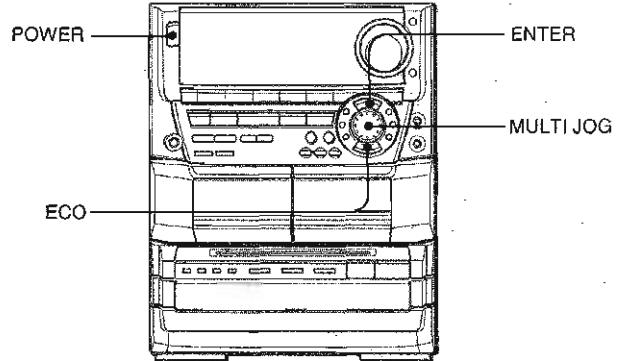
La fonction est la même que celle de ◄► de l'appareil principal.



### REMARQUE

- Si la télécommande ne doit pas être utilisée pendant longtemps, enlever les piles pour éviter tout risque de fuite d'électrolyte.
- La télécommande risque de ne pas fonctionner correctement quand:
  - l'espace entre la télécommande et le capteur situé sur la fenêtre d'affichage est exposé à une lumière intense, comme le soleil.
  - d'autres télécommandes (téléviseur, etc.) sont utilisées à proximité.

## AVANT L'UTILISATION



### Pour mettre sous tension

Appuyer sur une des touches de fonction (TAPE DECK 1/2, TUNER/BAND, VIDEO/AUX, CD, MD). La lecture du disque compact ou de la cassette en place commence, ou la station écoutée en dernier est reçue (fonction de lecture directe). On peut aussi appuyer sur **POWER**.

### REMARQUE

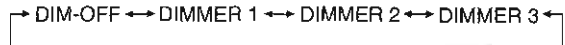
Lors de la mise sous tension, le compartiment à disques peut s'ouvrir et se fermer pour réinitialiser l'appareil.

### Pour mettre hors tension

Appuyer sur **POWER**.

### Pour changer le niveau de luminosité de l'affichage

- 1 Appuyer sur **ECO** de manière que "ECO MODE" soit affiché.
- 2 Dans les quatre secondes, tourner **MULTI JOG** pour afficher "DIM MODE", puis appuyer sur **ENTER** dans les quatre secondes.
- 3 Dans les quatre secondes, tourner **MULTI JOG** pour sélectionner le mode de luminosité comme ci-dessous. Le mode est automatiquement réglé au bout de quatre secondes. Il est aussi réglé si on appuie sur **ENTER** dans les quatre secondes après l'étape 3.



**DIM-OFF:** Affichage normal.

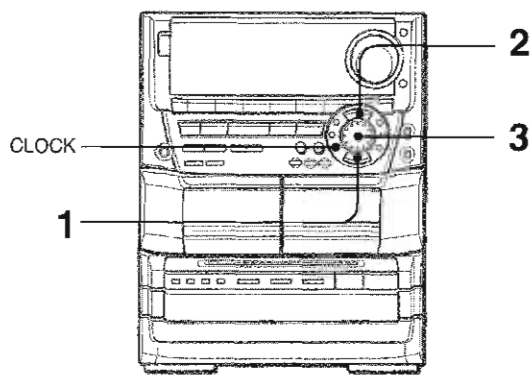
**DIMMER 1:** L'éclairage de l'affichage est plus sombre que d'habitude.

**DIMMER 2:** L'éclairage de l'affichage est plus sombre que dans le mode DIMMER 1.

**DIMMER 3:** L'éclairage de l'affichage est plus sombre que dans le mode DIMMER 2. L'analyseur de spectre et les témoins de touche s'éteignent.

### REMARQUE

Si l'enregistrement commandé par minuterie (voir page 27) est fait avec le mode économie d'énergie (voir page 7) réglé sur "ON" et si l'alimentation est coupée, le mode de luminosité sera réglé sur "DIMMER 3" lors de la mise sous tension suivante.



### MISE EN SERVICE DU MODE ECONOMIE D'ENERGIE

La mise de cet appareil en mode économie d'énergie diminue la consommation électrique comme suit.

- Quand l'appareil est hors tension, tous les indicateurs de l'affichage s'éteignent. Toutefois, si l'horloge n'est pas réglée, le jeu Demo (page 8) démarre quand on met l'appareil hors tension.
- Si la fonction disque compact, cassette ou génération de rythme (page 9) n'est pas utilisée pendant dix minutes ou s'il n'y a pas d'entrée audio pendant dix minutes par tout appareil externe connecté quand VIDEO/AUX ou MD est sélectionné comme source, l'alimentation est coupée.
- Quand l'appareil se met sous tension du fait de l'enregistrement commandé par minuterie (voir page 27), le niveau de luminosité de l'affichage est réglé sur "DIMMER 3" (voir page 6), tous les témoins de touche sont éteints et le volume est réglé sur le niveau minimal (0).
- La luminosité de l'affichage augmente seulement quand on utilise l'appareil. Si l'appareil n'est pas utilisé pendant dix secondes, le niveau de luminosité passe au mode précédemment sélectionné dans "DIM MODE". (Voir page 6.) (Si le niveau de luminosité est réglé sur "DIM-OFF", la luminosité ne change pas. Quand le niveau est "DIMMER 3", les témoins de touche s'éteignent.)

- 1 Appuyer sur ECO.**  
"ECO MODE" est affiché.



- 2 Appuyer sur ENTER dans les quatre secondes.**  
Le statut courant du mode économie d'énergie est affiché.  
Si le mode économie d'énergie est hors service: ECO OFF  
Si le mode économie d'énergie est en service: ECO ON

- 3 Tourner MULTI JOG dans les quatre secondes pour mettre le mode économie d'énergie en ou hors service.**  
Exemple: Quand "ON" est sélectionné



Le mode est automatiquement réglé au bout de quatre secondes. Il est aussi réglé si on appuie sur ENTER dans les quatre secondes après l'étape 3.

**REMARQUE**

Pour visualiser l'horloge quand tous les indicateurs de l'affichage sont éteints, appuyer sur CLOCK; l'heure est alors affichée pendant quatre secondes.

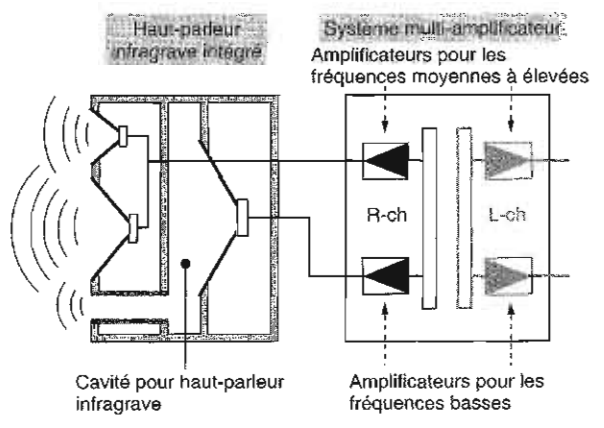
### Système multi-amplificateur à quatre canaux

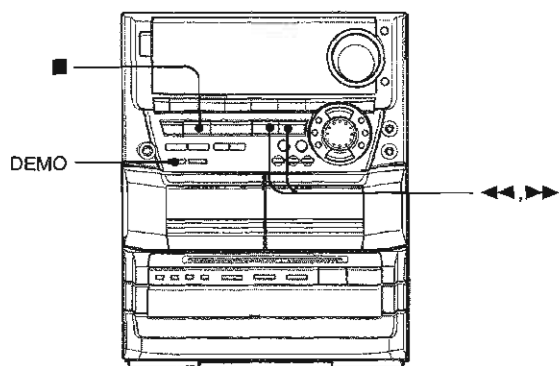
Pour accentuer les fréquences basses, en plus de l'amplificateur à deux canaux gauche/droite utilisé pour reproduire les fréquences moyennes à élevées, ce système comprend un second amplificateur à deux canaux gauche/droite juste pour la reproduction des fréquences basses — ce qui donne un système à quatre amplificateurs. En utilisant des amplificateurs discrets pour les fréquences moyennes à élevées et les fréquences basses, une reproduction sonore de haute qualité qui est pratiquement exempte de distorsion peut être obtenue. Ce système multi-amplificateur, qui utilise des circuits indépendants pour les différentes gammes de fréquences, permet d'obtenir une superbe reproduction sonore exempte de distorsion.

### Système à haut-parleur infrarave intégré

Le système à haut-parleur infrarave intégré possède une cavité pour haut-parleur infrarave qui fait partie de la structure du coffret de l'enceinte et qui agit comme filtre sonore pour éliminer la distorsion. (Dans le système multi-amplificateur, les signaux de très basse fréquence émis par leur propre amplificateur sont reproduits dans cette cavité.) Cette construction séparée donne une définition claire et riche à la reproduction des basses tout en permettant des signaux de fréquences moyennes à élevées clairs et nets.

Le système AIWA à haut-parleur infrarave intégré comprend un haut-parleur infrarave donnant une reproduction puissante et claire des basses avec une vraie séparation stéréo.





## Jeu Demo

La première fois que l'on branche le cordon secteur à une prise de courant après l'achat, le jeu apparaît automatiquement. Cet état initial est invalidé une fois que l'on a réglé l'horloge interne. Tant que l'on laisse l'horloge intacte, le jeu apparaît automatiquement quand l'appareil est mis hors tension.

### Utilisation du jeu Demo

**Appuyer sur DEMO, que l'appareil soit sous ou hors tension, et que l'horloge soit réglée ou pas.**

Quand l'appareil est hors tension, le jeu est silencieux. Quand l'appareil est sous tension, le jeu comprend une animation sonore (appelée "son du jeu" dans les explications suivantes).

#### 1 Appuyer sur ◀▶.

Trois chiffres se déplacent sur l'affichage.

#### 2 Appuyer une fois sur ■.

Le chiffre de gauche s'arrête.

#### 3 Appuyer deux fois sur ■ pour arrêter les deux autres chiffres.

*Marque:*

On dispose de 20 points au démarrage du jeu.

Si les trois chiffres sont égaux, 50 points sont ajoutés au score.

Si les chiffres ne sont pas égaux, un point est soustrait.

Si le score atteint 9999, on a gagné.

Si le score tombe à 0, on a perdu.

### Pour annuler le jeu Demo

Appuyer sur DEMO.

### Pour réinitialiser le jeu Demo

Appuyer deux fois sur DEMO.

### Pour changer la probabilité d'égalisation des trois chiffres

Appuyer sur ◀◀ ou ▶▶ à plusieurs reprises pour sélectionner un des trois niveaux de probabilité lors de l'utilisation du jeu Demo. L'indicateur de numéro de plateau change entre 1 et 3 sur l'affichage. La probabilité d'égalisation augmente comme le numéro de plateau augmente de 1 à 3.



### Pour supprimer le son du jeu

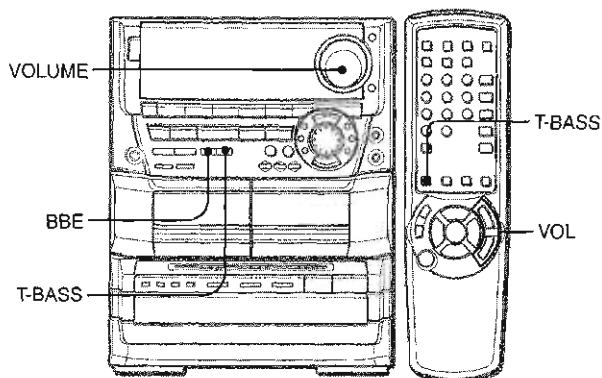
D'abord, annuler le jeu Demo en appuyant sur DEMO. Ensuite, tenir DEMO enfoncée jusqu'à ce que "♪♪ OFF" soit affiché.

Pour rétablir le son du jeu, tenir de nouveau DEMO enfoncée jusqu'à ce que "♪♪ ON" soit affiché.

### REMARQUE

- Pendant l'utilisation du jeu Demo, ■, ◀◀, ▶▶ et ◀▶ ne sont disponibles que pour ce jeu. Pour utiliser ces touches pour les fonctions telles que lecture de disque compact ou autre, annuler le jeu Demo.
- Pour changer le son du jeu, voir la partie "FONCTION GENERATION DE RYTHME", page 9.
- Pendant le jeu Demo, certains indicateurs sans rapport avec l'utilisation en cours s'allument sur l'affichage.
- Pendant l'enregistrement, DEMO est bloqué et ne fonctionne pas.
- Le jeu Demo et le son du jeu sont automatiquement annulés si on règle le volume quand l'appareil est sous tension.

## REGLAGES AUDIO



## VOLUME

Tourner **VOLUME** de l'appareil principal, ou appuyer sur **VOL** de la télécommande.

Le niveau du volume est affiché sous la forme d'un numéro de 0 à MAX (50).

Quand on met l'appareil hors tension alors que le niveau du volume est réglé sur 21 ou plus, ce niveau est automatiquement réglé sur 20.

## SYSTEME BBE

Le système BBE augmente la clarté du son aux fréquences élevées. Il enrichit aussi la fonction Karaoke pour donner un son clair et agréable de la voix.

**Appuyer sur BBE.**

A chaque pression sur cette touche, le niveau change. Sélectionner un des trois niveaux ou la position de repos, comme on préfère.



BBE

## SYSTEME SUPER T-BASS

Le système T-BASS augmente le réalisme du son aux basses fréquences.

**Appuyer sur T-BASS.**

A chaque pression sur la touche, le niveau change. Sélectionner un des trois niveaux ou la position de repos, comme on préfère.



T-BASS

**Pour sélectionner avec la télécommande.**

Appuyer sur **T-BASS** tout en appuyant sur **SHIFT**.

## REMARQUE

- Le son aux basses fréquences risque d'être déformé quand le système T-BASS est utilisé pour un disque ou une cassette dont le son aux basses fréquences est accentué d'origine. Dans ce cas, annuler le système T-BASS.
- Lors de la lecture d'une cassette enregistrée avec BBE, il est conseillé de mettre le système BBE hors service pour éviter une distorsion du son aux fréquences élevées.

## FONCTION GENERATION DE RYTHME (BEAT MASTER DX)

## UTILISATION DE LA FONCTION BEAT

Cet appareil est muni d'un groupe de types de rythme parmi lesquels on peut sélectionner celui que l'on souhaite pour l'ajouter au son de toute source de musique et créer ainsi ses propres sons originaux.

Le mélange créé avec les fonctions BEAT et BBE peut être enregistré sur cassette si on le souhaite. Ce mélange est aussi disponible aux prises **LINE OUT**.

## REMARQUE

La fonction BEAT n'est pas disponible quand on fait une copie de cassette avec les deux platines à l'aide de **SYNC DUB**.

**Pour sélectionner un type de rythme**

**1 Appuyer sur BEAT ON/OFF pour mettre la fonction en service.**

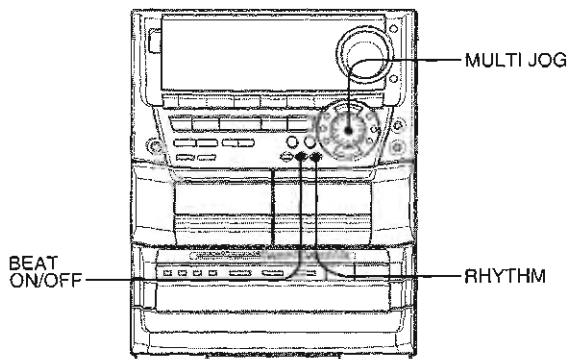
Le type de rythme courant est audible et son nom apparaît sur l'affichage.

**2 Tourner MULTI JOG pour naviguer parmi les choix possibles jusqu'à ce que l'on en trouve un qui convient à la musique.**

L'affichage change comme suit:



**Pour régler le tempo du type de rythme**



**1 Appuyer sur RHYTHM à plusieurs reprises jusqu'à ce que l'affichage indique "Tempo XXX".**

Les données d'onde acoustique intégrées à cet appareil sont la propriété, dont le droit de reproduction est réservé, de Yamaha Corporation; et Aiwa possède la licence de Yamaha Corporation.

### REMARQUE

Si "AUTO" apparaît quand on appuie sur RHYTHM, faire apparaître "MANUAL" en tournant MULTI JOG vers la gauche. En mode AUTO, le tempo est automatiquement réglé et on ne peut pas accéder à l'affichage de "Tempo". (Voir ci-après la description du mode AUTO.)

## 2 Tourner MULTI JOG.

La rotation vers la droite accélère le tempo. La rotation vers la gauche ralentit le tempo.

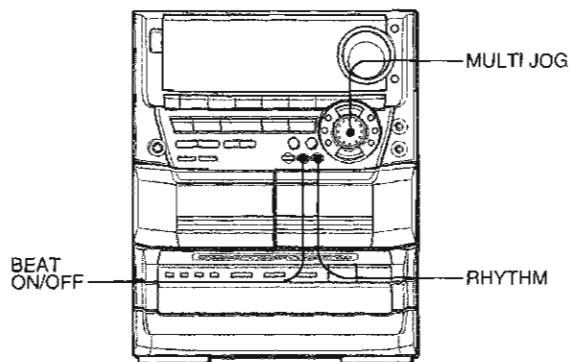
(Si une coupure se produit avant la rotation de la commande, repasser à l'affichage de "Tempo" en appuyant sur RHYTHM.)

Le tempo peut être changé dans les limites de 81 à 160.

### REMARQUE

Le tempo de GAME n'est pas réglable.

## Pour changer le niveau du volume du type de rythme



## 1 Appuyer sur RHYTHM à plusieurs reprises jusqu'à ce que l'affichage indique "LEVEL X".



## 2 Tourner MULTI JOG.

Trois niveaux, 1 - 3, sont disponibles.

### Pour arrêter la fonction BEAT

Appuyer sur BEAT ON/OFF.

Le réglage de BEAT bascule entre "en service" et "hors service".

### REMARQUE

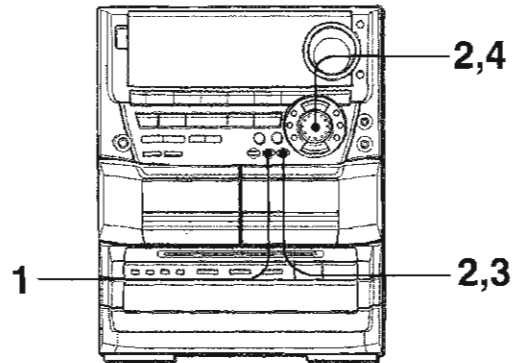
Quand on interrompt ou arrête la lecture sur la source sonore, la fonction BEAT est automatiquement mise hors service.

## Utilisation du mode AUTO

Le mode AUTO règle automatiquement le tempo du type de rythme courant de manière qu'il coïncide avec le tempo de la musique.

### REMARQUE

Selon la musique, le mode AUTO risque de ne pas fonctionner correctement (avec de la musique dont le tempo est flou ou variable, par exemple).



On peut laisser la musique démarrer avant d'effectuer l'étape 1 ou inversement.

## 1 Appuyer sur BEAT ON/OFF pour mettre la fonction en service.

Le type de rythme courant est audible.

## 2 En appuyant sur RHYTHM et en tournant MULTI JOG, changer le type de rythme et le réglage de niveau comme souhaité.

## 3 Appuyer sur RHYTHM de manière que l'affichage indique "MANUAL" ou "AUTO".



## 4 Tourner MULTI JOG vers la droite de manière que l'affichage indique "AUTO".

Si "AUTO" est affiché à l'étape 3, tourner MULTI JOG vers la gauche de manière que l'affichage indique "MANUAL" avant d'effectuer l'étape 4.



Lors du passage de MANUAL à AUTO, le niveau du type de rythme est automatiquement réduit à "1". Le niveau pré-réglé est rétabli quand l'appareil se synchronise sur le tempo de la musique.

Pendant que l'appareil essaie de se synchroniser sur le tempo de la musique, un indicateur bleu ressemblant à une cascade clignote sur les côtés de la partie affichage d'égaliseur de spectre.



Quand l'appareil se synchronise sur le tempo de la musique, l'affichage indique momentanément le tempo de la synchronisation.

Selon les sources sonores (comme, par exemple, musiques dont le tempo est variable), toutefois, on peut voir différents tempos apparaissant l'un après l'autre sur l'affichage.

Après synchronisation, l'affichage indique "BEAT OUT" si la synchronisation se déverrouille, puis l'appareil essaie de nouveau de se synchroniser.

Quand BEAT OUT est affiché, le niveau du rythme est automatiquement réduit à "1"; et le niveau pré-réglé est rétabli quand il y a de nouveau synchronisation.

**REMARQUE**

La fonction BEAT peut être utilisée avec la fonction SPICE A/B, aussi bien qu'avec la fonction FILL IN. (Voir ci-après la description de ces fonctions.) Par contre, on ne peut pas utiliser la fonction AUTO SPICE en même temps que la fonction BEAT.

**Utilisation de la fonction FILL IN**

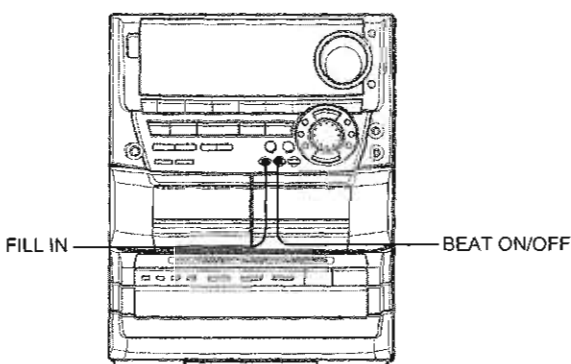
La fonction FILL IN s'utilise avec la fonction BEAT pour introduire une variation du type de rythme courant.

La commutation de double fonction AUTO SPICE/FILL IN remplace la fonction FILL IN quand la fonction BEAT est mise en service.

**REMARQUE**

- La fonction AUTO SPICE n'est pas disponible en même temps que la fonction FILL IN.
- La fonction FILL IN n'est pas disponible quand on fait une copie de cassette avec les deux platines à l'aide de SYNC DUB.

**Pour utiliser la fonction FILL IN**



Pendant la lecture avec la fonction BEAT en service, appuyer sur FILL IN au moment souhaité.



L'affichage indique "FILL IN" puis, quand le cycle courant de type de rythme est terminé, un son de courte durée différent de ce type de rythme est audible. Ce son dépend des types de rythme. Si on veut, on peut essayer de changer le type de rythme. (La sélection d'un type de rythme est expliquée plus haut, sous le titre correspondant.)

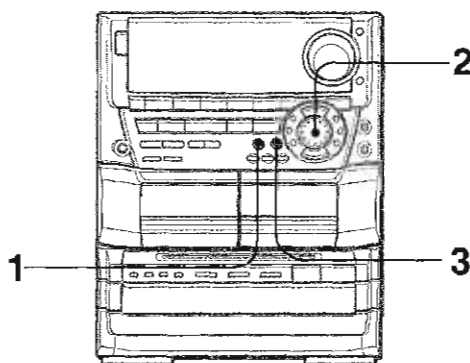
**UTILISATION DE LA FONCTION SPICE**

**Fonction SPICE A/B**

La fonction SPICE A/B permet d'ajouter des percussions à la source de musique et de créer ainsi ses propres sons originaux. Les sons créés avec la fonction SPICE A/B peuvent être enregistrés sur cassette si on le souhaite.



**Pour sélectionner des sons**



- 1 Appuyer sur A.**  
Le son courant mémorisé en A est audible.
- 2 Dans les quatre secondes, tourner MULTI JOG vers la gauche ou la droite jusqu'à ce que l'on trouve le son souhaité.**  
Comme l'affichage change, le son correspondant est audible.
- 3 D'une façon similaire, sélectionner un son pour B.**

**Utilisation de la fonction**

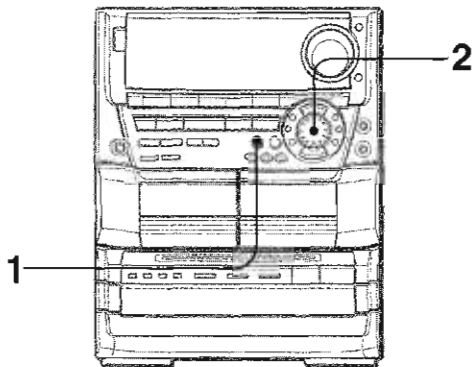
Une fois que l'on est satisfait de la sélection sonore, laisser démarrer la musique, et appuyer fugitivement sur SPICE A ou B en synchronisation avec la musique comme si l'on jouait d'instruments à percussion.

**REMARQUE**

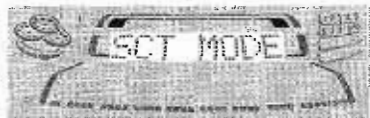
On ne peut pas utiliser la fonction SPICE A/B quand on fait une copie de cassette avec les deux platines à l'aide de SYNC DUB.



## Utilisation d'un mode "crissement"



- 1 Tenir SPICE A enfoncée. (Ne pas relâcher la touche tant que l'étape 2 n'est pas terminée.)**  
L'affichage indique "SCT MODE".



- 2 Tout en tenant encore la touche enfoncée, tourner MULTI JOG.**

Selon le sens dans lequel on tourne **MULTI JOG**, différents crissements sont produits.

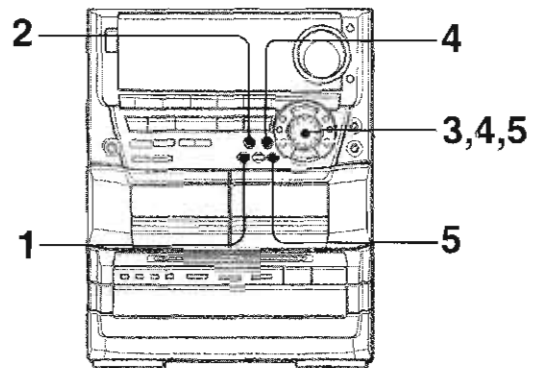
Le mode "crissement" est invalidé quand on relâche la touche A.

## Utilisation de la fonction AUTO SPICE

La fonction AUTO SPICE produit les sons de SPICE A et B en synchronisation avec la musique, le son de A en réponse aux signaux de basse fréquence, et le son de B en réponse à ceux de fréquence élevée.

### REMARQUE

- La fonction AUTO SPICE ne peut pas être utilisée avec la fonction BEAT.
- Selon la musique, la fonction AUTO SPICE risque de ne pas fonctionner comme on le voudrait. Le cas échéant, utiliser la fonction SPICE A/B à la place.
- La fonction AUTO SPICE n'est pas disponible quand on fait une copie de cassette avec les deux platines à l'aide de SYNC DUB.



- 1 Appuyer sur AUTO SPICE.**

"A-SPICE" apparaît sur l'affichage.



- 2 Appuyer sur SPICE A.**

Le son actuellement mémorisé en A est audible et son nom apparaît sur l'affichage.

Chaque fois qu'on appuie sur A, le son est produit.

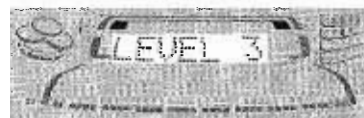
- 3 Si on veut changer le son de A, tourner MULTI JOG jusqu'à ce que l'on trouve le son souhaité.**

(Si une coupure se produit après avoir terminé l'étape 2 et avant d'effectuer l'étape 3, appuyer de nouveau sur SPICE A.)

- 4 D'une façon similaire, contrôler le son de B et le changer si on veut.**

- 5 Pour régler le niveau des sons de A et B, accéder à l'affichage de "LEVEL X" en appuyant sur RYTHM autant de fois que nécessaire, puis tourner MULTI JOG dans les quatre secondes.**

Trois niveaux, 1, 2 et 3, sont disponibles.



Les niveaux de A et B sont réglés en même temps.

- 6 Démarrer la lecture sur la source pour écouter l'effet.**

L'indicateur bleu ressemblant à une cascade, situé à gauche de "BBE" sur l'affichage, clignote et le son de SPICE A est reproduit en synchronisation avec les graves, et celui de SPICE B l'est en synchronisation avec les aigus.

### REMARQUE

Si on appuie fugitivement sur SPICE A ou B ou si on produit des crissements quand un type de rythme est généré ou tandis qu'un son FILL IN est produit, une coupure momentanée peut se produire parfois dans le type de rythme ou dans le son FILL IN. Il en est de même pour les sons AUTO SPICE quand on appuie fugitivement sur SPICE A ou B ou quand on produit des crissements.



## EGALISEUR GRAPHIQUE

### SELECTION D'UNE COURBE D'EGALISATION PROGRAMMEE

Cet appareil possède les cinq courbes d'égalisation programmées différentes suivantes.

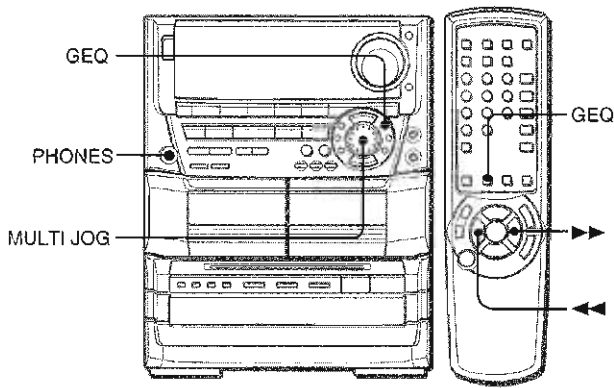
**ROCK:** Son puissant accentuant les aigus et les graves.

**POP:** Présence accrue des parties vocales et de la gamme moyenne.

**LATIN:** Fréquences élevées accentuées pour la musique latine.

**CLASSIC:** Son enrichi par des graves puissants et des aigus fins.

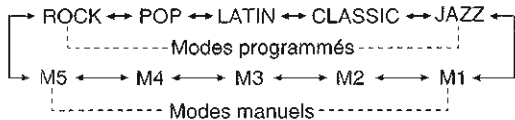
**JAZZ:** Fréquences basses accentuées pour la musique de type jazz.



Appuyer sur **GEQ**, puis tourner **MULTI JOG** dans les quatre secondes pour sélectionner une des courbes d'égalisation programmées.



"GRAPHIC EQUALIZER" apparaît et le mode d'égalisation graphique est affiché de manière cyclique comme suit.



**Pour afficher le mode d'égalisation graphique courant**  
Appuyer sur **GEQ**. Le mode courant est affiché pendant quatre secondes.

**Pour annuler le mode sélectionné**

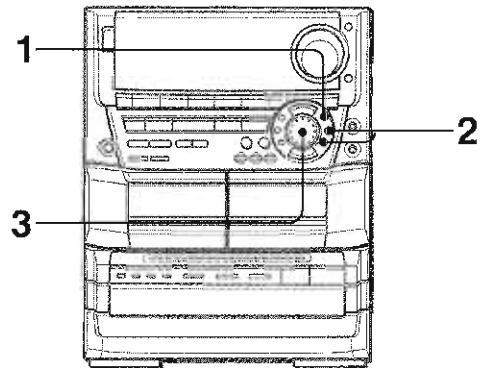
Appuyer deux fois sur **GEQ**.

"GEQ OFF" apparaît et "GRAPHIC EQUALIZER" disparaît.

**Pour sélectionner avec la télécommande**

Appuyer sur **GEQ** et, dans les quatre secondes, appuyer sur **◀** ou **▶** à plusieurs reprises. Le mode d'égalisation graphique est affiché de manière cyclique comme ci-dessus.

## REGLAGE MANUEL D'UNE NOUVELLE COURBE D'EGALISATION



On peut personnaliser la courbe d'égalisation comme on préfère.

Si une coupure se produit tandis qu'on effectue ces étapes, appuyer sur **UP** ou **DOWN** pour repasser à l'affichage précédent.

### 1 Appuyer sur **GEQ**.

Le mode d'égalisation graphique courant ou "GEQ ON" est affiché.

### 2 Dans les quatre secondes, appuyer sur **UP** ou **DOWN** pour sélectionner les bandes de fréquences.

Chaque fois qu'on appuie sur **UP/DOWN**, un indicateur clignotant à quatre segments se déplace jusqu'à la bande de fréquences supérieure ou inférieure suivante. (Si le mode d'égalisation graphique courant est affiché, l'affichage passe à "GEQ ON" à la première pression sur **UP** ou **DOWN**.)



### 3 Tourner **MULTI JOG** pour régler le niveau d'égalisation de la bande de fréquences sélectionnée.

### 4 De façon similaire, régler le niveau d'égalisation des autres bandes de fréquences.

### Utilisation d'un casque

Brancher un casque muni d'une fiche stéréo standard (6,3 mm ø) à la prise **PHONES**.

Aucun son ne sort par les enceintes quand un casque est branché.

• Quand un casque est branché, le système **SURROUND** ne fonctionne pas.

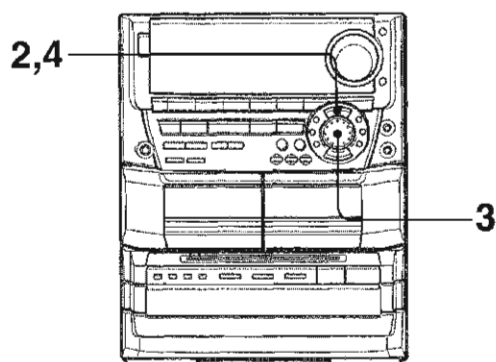
### Réglage du son pendant l'enregistrement

La commande **VOLUME** n'a pas d'effet sur l'enregistrement. Elle règle seulement le niveau des signaux allant aux enceintes et au casque. Toutefois, ne pas oublier que l'enregistrement est affecté par les fonctions **BEAT**, **AUTO SPICE/FILL IN** et **SPICE A/B**, ainsi que par la fonction **BBE**.

SON

F

## MEMORISATION DES NOUVELLES COURBES D'EGALISATION



Les modes manuels M1 - M5 permettent de mémoriser jusqu'à cinq courbes d'égalisation personnalisées.

### 1 Effectuer les étapes 1 à 4 de la page précédente.

La courbe créée est affichée pendant quatre secondes.

### 2 Dans les quatre secondes, appuyer sur ENTER.

"M 1" clignote sur l'affichage pendant quatre secondes.



- Si cette étape n'est pas terminée dans les quatre secondes, appuyer d'abord sur **GEQ** pour afficher "GEQ ON". Ensuite, dans les quatre secondes, appuyer sur **ENTER** à plusieurs reprises jusqu'à ce que "M1" clignote.

### 3 Dans les quatre secondes, tourner MULTI JOG pour sélectionner un des modes manuels M1 - M5 pour mémoriser la courbe.

### 4 Dans les quatre secondes, appuyer sur ENTER.

La nouvelle courbe d'égalisation est mémorisée.

#### Pour sélectionner la courbe d'égalisation mémorisée

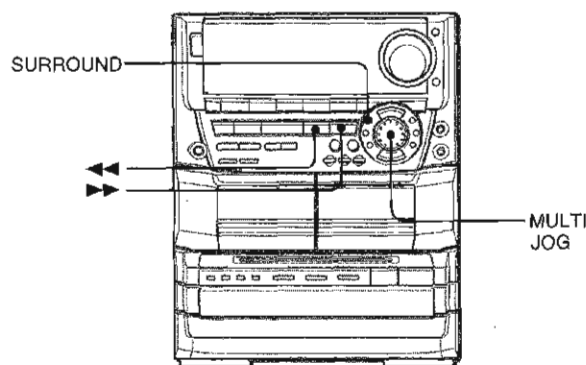
Appuyer sur **GEQ**, puis tourner **MULTI JOG** pour sélectionner un des modes manuels M1 - M5 dans les quatre secondes.

## SURROUND DSP

Le système SURROUND DSP (processeur numérique de signaux) règle le temps de retard, le mode d'entrée et le niveau de rétroaction pour donner un son surround résonnant reproduisant avec réalisme la présence sonore de différents environnements.

Cet appareil a été programmé avec cinq modes SURROUND différents.

## SELECTION D'UN MODE SURROUND DSP PROGRAMME



Cinq modes SURROUND DSP offrent la présence sonore d'une discothèque (DISCO), d'une représentation musicale en public (LIVE), d'un stade (STADIUM), d'une salle de concert (HALL) et d'un cinéma (MOVIE). (Les indications entre parenthèses sont celles qui apparaissent sur l'affichage.)

Appuyer sur **SURROUND**, puis tourner **MULTI JOG** ou appuyer sur **◀** ou **▶** à plusieurs reprises pour sélectionner le mode programmé souhaité dans les quatre secondes.



"DSP SURROUND" apparaît et le mode SURROUND DSP est affiché de manière cyclique comme suit.



Les courbes d'égalisation sont sélectionnées automatiquement en fonction des modes SURROUND DSP et peuvent aussi être sélectionnées manuellement ou annulées comme on préfère.

#### Pour afficher le mode SURROUND DSP courant

Appuyer sur **SURROUND**. Le mode courant est affiché pendant quatre secondes.

#### Pour annuler le mode sélectionné

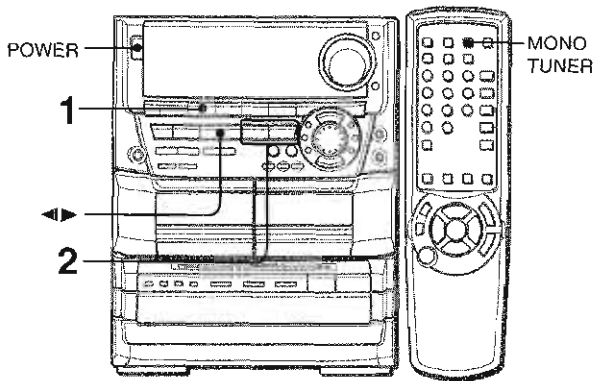
Appuyer deux fois sur **SURROUND**. "DSP OFF" apparaît et "DSP SURROUND" disparaît.

#### Quand la source musicale est monophonique

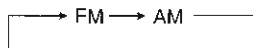
Sélectionner "LIVE", "STADIUM" ou "MOVIE" pour obtenir un effet stéréo simulé. Quand "DISCO" ou "HALL" est sélectionné, le son n'est pas audible par les enceintes surround.

## RECEPTION RADIO

### ACCORD MANUEL



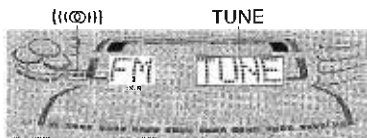
- 1 Appuyer sur TUNER BAND à plusieurs reprises pour sélectionner la gamme souhaitée.



Quand on appuie sur TUNER BAND alors que l'alimentation est coupée, l'appareil est mis sous tension directement.

- 2 Appuyer sur ◀ DOWN ou ▶ UP pour sélectionner une station.

A chaque pression sur la touche, la fréquence change. Quand une station est reçue, "TUNE" est affiché pendant deux secondes. Pendant la réception FM stéréo, ((◁▷)) est affiché.



#### Pour rechercher une station rapidement (Recherche automatique)

Tenir ◀ DOWN ou ▶ UP enfoncée jusqu'à ce que la fréquence commence à changer rapidement. Après l'accord sur une station, la recherche s'arrête. Pour arrêter la recherche automatique manuellement, appuyer sur ◀ DOWN ou ▶ UP.

- La recherche automatique risque de ne pas s'arrêter aux stations dont les signaux sont très faibles.

Quand une émission FM stéréo contient des parasites Appuyer sur MONO TUNER de manière que "MONO" apparaisse sur l'affichage.

Les parasites sont réduits, mais la réception est monophonique. Pour rétablir la réception stéréophonique, répéter l'opération ci-dessus de manière que "MONO" disparaisse.

#### Pour changer l'intervalle d'accord AM

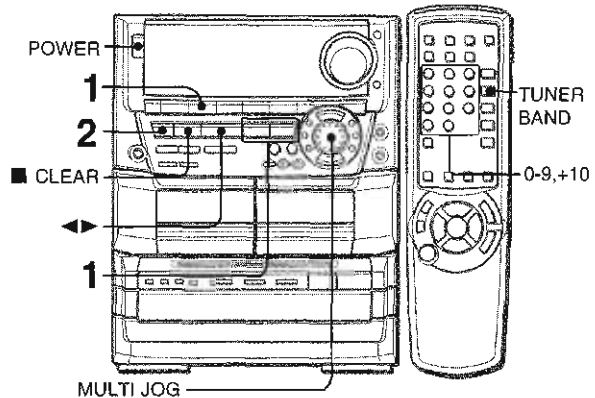
Le réglage par défaut de l'intervalle d'accord AM est de 10 kHz par pas. Si on utilise cet appareil dans une région où le système d'allocation de fréquences est de 9 kHz par pas, changer l'intervalle d'accord.

Appuyer sur POWER tout en appuyant sur ◀. Pour rétablir l'intervalle initial, procéder de la même façon.

#### REMARQUE

Quand on change l'intervalle d'accord AM, toutes les stations mémorisées sont supprimées. Une nouvelle mémorisation est alors nécessaire.

### MEMORISATION DE STATIONS



L'appareil peut mémoriser un total de 32 stations. Quand une station est mémorisée, un numéro de préréglage lui est affecté. Pour accorder directement l'appareil sur une station mémorisée, utiliser le numéro de préréglage correspondant.

- 1 Appuyer sur TUNER BAND pour sélectionner une gamme, puis appuyer sur ◀ DOWN ou ▶ UP pour sélectionner une station.

- 2 Appuyer sur II SET pour mémoriser la station. Un numéro de préréglage est affecté à la station, à partir de 1 dans l'ordre consécutif pour chaque gamme.



- 3 Répéter les étapes 1 et 2.

Le station suivante ne sera pas mémorisée si un total de 32 stations ont déjà été mémorisées pour toutes les gammes.

#### REMARQUE

"FULL" est affiché si on tente de mémoriser plus de 32 stations.

### ACCORD PAR NUMERO DE PREREGLAGE

Utiliser la télécommande pour sélectionner le numéro de préréglage directement.

- 1 Appuyer sur BAND pour sélectionner une gamme.
- 2 Utiliser les touches numériques 0-9 et +10 pour sélectionner un numéro de préréglage.

Exemple:

Pour sélectionner le numéro de préréglage 20, appuyer sur +10, +10 et 0.

Pour sélectionner le numéro de préréglage 15, appuyer sur +10 et 5.

#### Sélection d'un numéro de préréglage sur l'appareil principal

Appuyer sur TUNER BAND pour sélectionner une gamme. Ensuite, appuyer sur ◀ à plusieurs reprises ou tourner MULTI JOG. A chaque pression sur ◀, le numéro supérieur suivant est sélectionné.

#### Pour supprimer une station mémorisée

Sélectionner le numéro de préréglage de la station à supprimer. Ensuite, appuyer sur ■ CLEAR, puis appuyer sur II SET dans les quatre secondes.

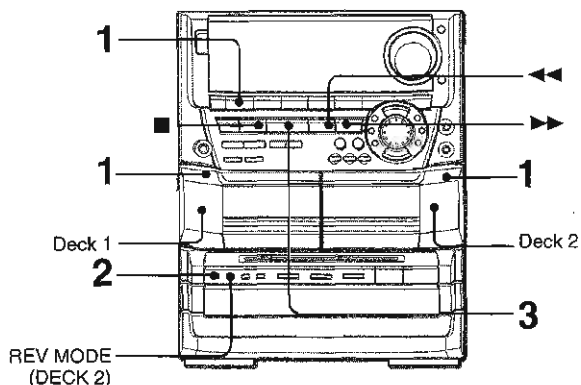
Les numéros de préréglage supérieurs de toutes les autres stations de la gamme sont diminués d'une unité.

SON

RECEPTION RADIO

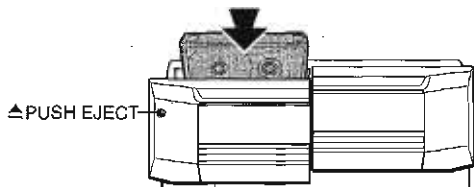
F

**OPERATIONS DE BASE**



- Avec la platine 1, les cassettes sont toujours lues sur les deux faces.  
Avec la platine 2, on peut choisir un mode d'inversion pour lire une face ou les deux.
- Pour la lecture, utiliser des cassettes de type I (normales), de type II (haute polarisation/CrO<sub>2</sub>) ou de type IV (métal).

**1 Appuyer sur TAPE DECK 1/2 puis appuyer sur ▲ PUSH EJECT pour ouvrir le porte-cassette.**

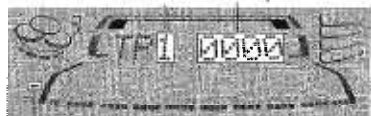


Insérer une cassette avec le côté exposé du ruban magnétique en bas. Pousser le porte-cassette pour le fermer.

**2 Appuyer sur DOLBY NR pour mettre le réducteur de bruit en ou hors service, en fonction de la cassette à lire.**

**3 Appuyer sur ◀▶ pour démarrer la lecture.**

Numéro de la platine sélectionnée    Compteur



Indicateur de face lue

- ▶: La face avant (orientée vers l'avant) est lue.
- ◀: La face arrière (orientée vers l'arrière) est lue.

**Pour sélectionner un mode d'inversion (platine 2 seulement)**

A chaque pression sur REV MODE (DECK 2), le mode d'inversion change.



- Pour lire une seule face, sélectionner ◀.
- Pour lire de la face avant à la face arrière une seule fois, sélectionner ▶.
- Pour lire les deux faces à plusieurs reprises, sélectionner ◀▶.
- Quand il y a des cassettes dans les deux platines, ◀▶ sur l'affichage signifie "Lecture continue".

**Pour sélectionner une platine de lecture**

Quand il y a des cassettes en place dans les deux platines, appuyer d'abord sur TAPE DECK 1/2 pour sélectionner une platine. Le numéro de la platine sélectionnée est affiché.

- Pour arrêter la lecture, appuyer sur ■.
- Pour mettre la lecture en pause (platine 2 seulement), appuyer sur II. Pour reprendre la lecture, appuyer de nouveau sur cette touche.
- Pour changer de face lue, appuyer sur ◀▶ pendant la lecture ou le mode pause.
- Pour obtenir une avance rapide ou un rembobinage, appuyer sur ◀◀ ou ▶▶. Ensuite, appuyer sur ■ pour arrêter le défilement.

**Pour démarrer la lecture quand l'alimentation est coupée (fonction de lecture directe)**

Appuyer sur TAPE DECK 1/2. L'appareil est mis sous tension et la lecture de la cassette en place commence.

**Pour mettre le compteur à 0000**

Appuyer sur ■ CLEAR dans le mode arrêt. Le compteur est aussi mis à 0000 quand on ouvre et ferme le porte-cassette.

## SENSEUR DE MUSIQUE

S'il y a un blanc de quatre secondes ou plus entre les plages, on peut retrouver facilement le début de la plage courante ou suivante pendant la lecture.

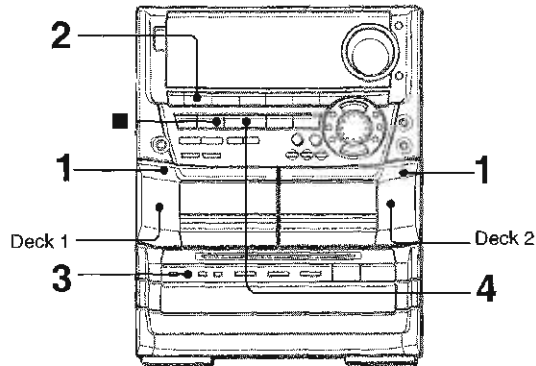
Appuyer sur ◀◀ ou ▶▶ pendant la lecture en vérifiant l'indicateur de face lue (◀ ou ▶) affiché.

Par exemple, si on appuie sur ▶▶ tandis que l'indicateur ▶ est affiché, la lecture de la plage suivante démarre.

La fonction senseur de musique risque de ne pas pouvoir détecter les plages dans les cas suivants:

- blancs de moins de quatre secondes entre les plages.
- blancs présentant des parasites.
- longs passages à bas niveau.
- enregistrements à bas niveau.

## LECTURE CONTINUE

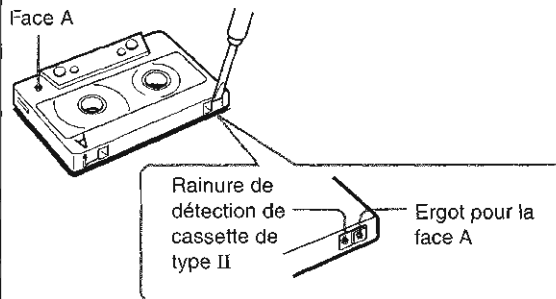


Une fois que la lecture sur une platine est terminée, la lecture de la cassette de l'autre platine démarre sans interruption.

- 1 Insérer des cassettes dans les platines 1 et 2.
- 2 Appuyer sur TAPE DECK 1/2 pour sélectionner la platine à utiliser en premier.
- 3 Appuyer sur REV MODE pour sélectionner ⏮.
- 4 Appuyer sur ◀▶ pour démarrer la lecture.  
La lecture continue jusqu'à ce qu'on appuie sur ■.

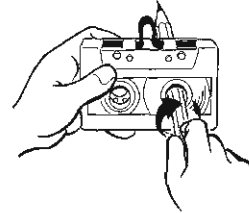
### Au sujet des cassettes

- Pour éviter un effacement accidentel, utiliser un tournevis ou tout autre objet effilé pour casser les ergots en plastique de la cassette après l'enregistrement.



Pour enregistrer de nouveau sur une cassette, recouvrir les cavités des ergots avec du ruban adhésif ou autre. (Sur les cassettes de type II, faire attention à ne pas recouvrir la rainure de détection de cassette de type II.)

- Le ruban magnétique des cassettes de 120 minutes ou plus est extrêmement fin et se déforme et s'endommage facilement. Ces cassettes ne sont pas recommandées.
- Tendre le ruban magnétique avec un crayon ou un objet similaire avant d'utiliser une cassette. Un ruban magnétique détendu peut se rompre ou s'emmêler dans le mécanisme.

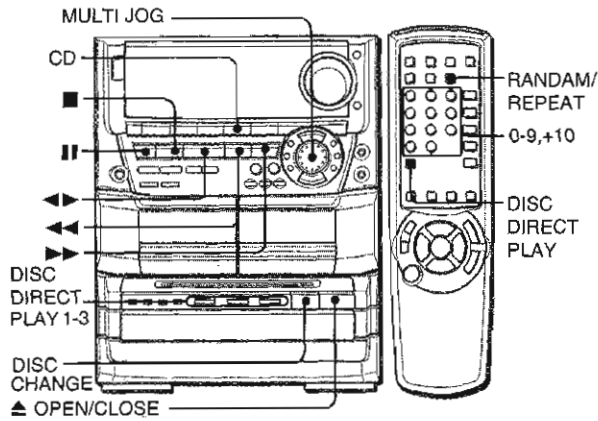


### Système réducteur de bruit DOLBY

Le système de réduction de bruit Dolby réduit le souffle de la bande. Pour des performances optimum lors de la lecture d'une cassette enregistrée avec le système réducteur de bruit DOLBY, mettre le système réducteur de bruit DOLBY en service.

## LECTURE DE DISQUES COMPACTS

### OPERATIONS DE BASE



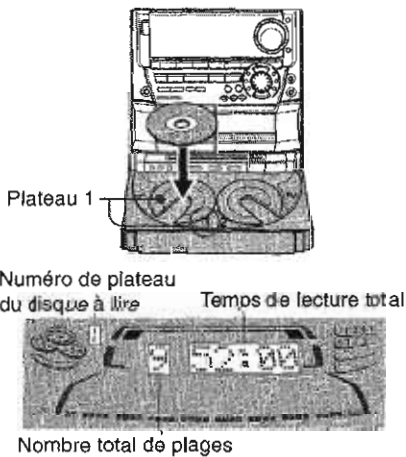
### MISE EN PLACE DE DISQUES

Appuyer sur CD, puis appuyer sur  $\blacktriangle$  OPEN/CLOSE pour ouvrir le compartiment à disques. Mettre le(s) disque(s) en place avec le côté portant l'étiquette en haut.

Pour lire un ou deux disques, mettre les disques sur les plateaux 1 et 2.

Pour lire trois disques, appuyer sur DISC CHANGE pour faire tourner les plateaux après avoir mis deux disques en place. Mettre le troisième disque sur le plateau 3.

Fermer le compartiment à disques en appuyant sur  $\blacktriangle$  OPEN/CLOSE.

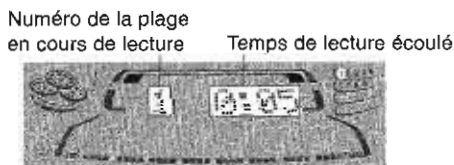


### LECTURE DE DISQUES

Mettre des disques en place.

Pour lire tous les disques situés dans le compartiment, appuyer sur  $\blacktriangleleft\blacktriangleright$ .

La lecture commence par le disque du plateau 1.



Pour lire un disque seulement, appuyer sur une des touches DISC DIRECT PLAY 1-3.

Le disque sélectionné est lu une fois.

Pour commander la lecture avec la télécommande

Appuyer sur DISC DIRECT PLAY, puis appuyer sur une des touches numériques 1-3 dans les trois secondes pour sélectionner un disque.

Pour arrêter la lecture, appuyer sur  $\blacksquare$ .

Pour mettre la lecture en pause, appuyer sur  $\text{II}$ . Pour reprendre la lecture, appuyer de nouveau sur cette touche.

Pour rechercher un point particulier pendant la lecture, tenir  $\blacktriangleleft\blacktriangleright$  ou  $\blacktriangleright\blacktriangleleft$  enfoncée jusqu'à ce que le point souhaité soit atteint.

Pour sauter au début d'une plage pendant la lecture, appuyer sur  $\blacktriangleleft$  ou  $\blacktriangleright$  à plusieurs reprises ou tourner MULTI JOG.

Pour enlever des disques, appuyer sur  $\blacktriangle$  OPEN/CLOSE.

Pour démarrer la lecture quand l'alimentation est coupée (fonction de lecture directe)

Appuyer sur CD. L'appareil est mis sous tension et la lecture du (des) disque(s) en place commence.

Quand on appuie sur  $\blacktriangle$  OPEN/CLOSE, l'appareil est aussi mis sous tension et le compartiment à disques s'ouvre.

Pour vérifier le temps restant

Pendant la lecture, appuyer sur CD EDIT/CHECK. Le temps restant jusqu'à ce que toutes les plages soient lues est affiché. Pour rétablir l'affichage du temps de lecture, répéter cette opération.

Sélection d'une plage avec la télécommande

1 Appuyer sur DISC DIRECT PLAY, puis appuyer sur une des touches numériques 1-3 dans les trois secondes pour sélectionner un disque.

2 Utiliser les touches numériques 0-9 et +10 pour sélectionner une plage.

Exemple:

Pour sélectionner la vingt-cinquième plage, appuyer sur +10, +10 et 5.

Pour sélectionner la dixième plage, appuyer sur +10 et 0.

La lecture démarre à la plage sélectionnée et continue jusqu'à la fin du disque.

Changement de disques pendant la lecture

Pendant qu'un disque est en lecture, on peut remplacer les autres disques sans interrompre la lecture.

1 Appuyer sur DISC CHANGE.

2 Enlever les disques et les remplacer par d'autres disques.

3 Appuyer sur  $\blacktriangle$  OPEN/CLOSE pour fermer le compartiment à disques.

### REMARQUE

- Pour mettre un disque de 8 cm en place, le poser dans le renforcement circulaire du plateau.
- Ne pas mettre plus d'un disque compact sur un plateau.
- Ne pas incliner l'appareil avec des disques en place. Cela pourrait provoquer des pannes.
- Ne pas utiliser des disques compacts de forme irrégulière (par ex. disques en forme de cœur ou octogonaux). Cela pourrait provoquer des pannes.

## LECTURE ALEATOIRE/REPETEE

Utiliser la télécommande.

### Lecture aléatoire


Toutes les plages du disque sélectionné ou tous les disques peuvent être lus dans un ordre aléatoire.


### Lecture répétée

Un seul disque ou tous les disques peuvent être lus à plusieurs reprises.


**Appuyer sur RANDOM/REPEAT tout en appuyant sur SHIFT.** A chaque pression sur les touches, la fonction peut être sélectionnée de façon cyclique.

Lecture aléatoire — RANDOM s'allume sur l'affichage.

Lecture répétée —  s'allume sur l'affichage.

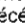
Lecture aléatoire/répétée — RANDOM et  s'allument sur l'affichage.

Annulation — RANDOM et  disparaissent de l'affichage.

**Pour lire tous les disques**, appuyer sur  pour démarrer la lecture.

**Pour lire un seul disque**, appuyer sur une des touches DISC DIRECT PLAY 1-3 pour démarrer la lecture.

### REMARQUE

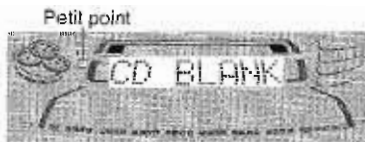
Pendant la lecture aléatoire, il est impossible de sauter à la page précédemment lue en appuyant sur .

## LECTURE AVEC SAUT DES BLANCS

Les parties vierges se trouvant entre les plages enregistrées sur un disque compact peuvent être sautées pendant la lecture.

### 1 Appuyer sur CD BLANK SKIP.

"CD BLANK SKIP ON" est affiché et un petit point apparaît sur l'affichage.



Petit point

### 2 Appuyer sur pour démarrer la lecture.

Les parties vierges se trouvant entre les plages sont sautées, et le son est lu sans interruption. Si le son d'une plage s'affaiblit (si la plage se termine avec une diminution progressive du niveau sonore), la partie de l'affaiblissement est aussi sautée.

### Pour revenir à la lecture normale

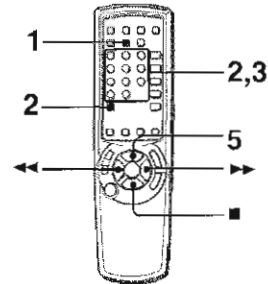
Appuyer de nouveau sur CD BLANK SKIP; "CD BLANK SKIP OFF" est affiché et le petit point disparaît de l'affichage.

### REMARQUE

- Il peut y avoir des cas où la lecture avec saut des blancs ne fonctionne pas correctement.
- La lecture avec saut des blancs est automatiquement annulée lors de l'ENREGISTREMENT AVEC MONTAGE ET CALCUL DU TEMPS (voir page 22), lors de l'ENREGISTREMENT AVEC MONTAGE PROGRAMME (voir page 23) ou lors de l'enregistrement pendant la LECTURE PROGRAMMEE (voir page 19) ou la LECTURE ALEATOIRE (voir page 19).

## LECTURE PROGRAMMEE

On peut programmer un maximum de 30 plages de n'importe lequel des disques en place.



Utiliser la télécommande.

### 1 Appuyer sur deux fois PRGM en mode arrêt.

"PRGM" est affiché.

PRGM



- Quand on appuie une fois sur PRGM à l'étape 1, l'appareil passe au PROGRAMME DE KARAOKE (voir page 25)

### 2 Appuyer sur DISC DIRECT PLAY, puis appuyer sur une des touches numériques 1-3 dans les trois secondes pour sélectionner un disque.

Passer à l'étape suivante quand le plateau arrête de tourner.

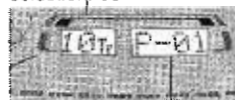
### 3 Utiliser les touches numériques 0-9 et +10 pour programmer une plage.

Exemple:

Pour sélectionner la vingt-cinquième plage, appuyer sur +10, +10 et 5.

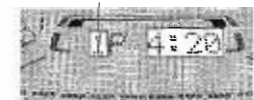
Pour sélectionner la dixième plage, appuyer sur +10 et 0.

Numéro de la plage sélectionnée



Numéro de programme

Nombre total de plages sélectionnées

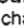
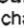


Temps de lecture total des plages sélectionnées

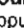
### 4 Répéter les étapes 2 et 3 pour programmer d'autres plages.

### 5 Appuyer sur pour démarrer la lecture.

#### Pour vérifier le programme

A chaque pression sur  ou  dans le mode arrêt, un numéro de disque, un numéro de plage et un numéro de programme sont affichés.

#### Pour effacer le programme

Appuyer sur  CLEAR en mode arrêt.

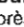
#### Pour ajouter des plages au programme

Répéter les étapes 2 et 3 dans le mode arrêt. La plage sera programmée à la suite de la dernière.

#### Pour changer les plages programmées

Effacer le programme puis répéter toutes les étapes.

#### Pour lire les plages programmées à plusieurs reprises

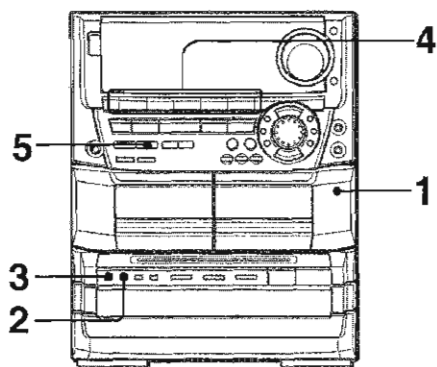
Après la programmation des plages, appuyer sur RANDOM/REPEAT à plusieurs reprises jusqu'à ce que  apparaisse sur l'affichage.

### REMARQUE

- Pendant la lecture programmée, on ne peut pas effectuer la lecture aléatoire, contrôler le temps restant et sélectionner un disque ou une plage. "Can't USE" est affiché si on tente de sélectionner une plage.
- "FULL" est affiché si on tente de programmer plus de 30 plages.

## ENREGISTREMENT DE BASE

Cette partie explique comment enregistrer à partir du tuner, du lecteur de disques compacts ou d'un appareil externe.

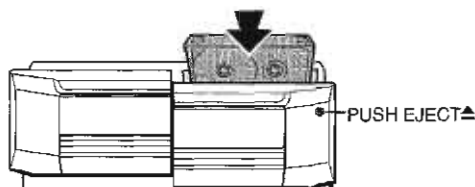


### Préparation

- Pour l'enregistrement, utiliser des cassettes de type I (normales) ou de type II (haute polarisation/CrO<sub>2</sub>).
- Bobiner la cassette jusqu'à l'endroit où on veut démarrer l'enregistrement.

#### 1 Insérer la cassette à enregistrer dans la platine 2.

Insérer la cassette avec la face à enregistrer en premier orientée vers l'extérieur de l'appareil.



#### 2 Appuyer sur REV MODE pour sélectionner le mode d'inversion.

Pour enregistrer sur une face seulement, sélectionner  $\overline{\text{I}}$ .  
Pour enregistrer sur les deux faces, sélectionner  $\overline{\text{I}} \rightarrow$  ou  $\overline{\text{I}} \leftarrow$ .

#### 3 Appuyer sur DOLBY NR pour mettre le réducteur de bruit Dolby en ou hors service.

Pour enregistrer avec réducteur de bruit DOLBY, allumer  $\square \square$  NR.  
Pour enregistrer sans réducteur de bruit DOLBY, éteindre  $\square \square$  NR.

#### 4 Sélectionner la fonction (TUNNER/BAND, VIDEO/AUX, CD ou MD) et préparer la source à partir de laquelle on veut enregistrer.

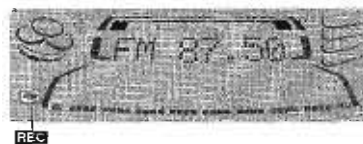
Pour enregistrer à partir d'un disque compact, appuyer sur CD et mettre le(s) disque(s) compact(s) en place.

Pour enregistrer une émission de radio, appuyer sur TUNER/BAND et accorder sur une station.

Pour enregistrer à partir d'une source connectée, appuyer sur VIDEO/AUX ou MD.

#### 5 Appuyer sur ● REC/REC MUTE pour démarrer l'enregistrement.

Lors de l'enregistrement à partir d'une source connectée, mettre cette source en lecture.



Quand la fonction sélectionnée est CD, la lecture et l'enregistrement démarrent simultanément.

Pour arrêter l'enregistrement, appuyer sur ■.  
Pour mettre l'enregistrement en pause, appuyer sur II.  
(Applicable quand la source est TUNER, VIDEO/AUX ou MD.)  
Pour reprendre l'enregistrement, appuyer de nouveau sur cette touche.

### Réglage du son pendant l'enregistrement

La commande VOLUME n'a pas d'effet sur l'enregistrement. Elle règle seulement le niveau des signaux allant aux enceintes et au casque. Toutefois, ne pas oublier que l'enregistrement est affecté par les fonctions BEAT, AUTO SPICE/FILL IN et SPICE A/B, ainsi que par la fonction BBE.

## INSERTION D'ESPACES BLANCS

L'insertion d'espaces blancs de quatre secondes permet l'utilisation de la fonction senseur de musique. (Applicable quand la source est TUNER/BAND, VIDEO/AUX ou MD.)

#### 1 Appuyer sur ● REC/REC MUTE pendant l'enregistrement ou pendant le mode pause d'enregistrement.

**REC** clignote sur l'affichage pendant quatre secondes et un espace blanc de quatre secondes est fait. Ensuite, la platine passe au mode pause d'enregistrement.

#### 2 Appuyer sur II pour reprendre l'enregistrement.

Pour insérer un espace blanc de moins de quatre secondes, appuyer de nouveau sur ● REC/REC MUTE tandis que **REC** clignote.

Pour insérer un espace blanc de plus de quatre secondes, appuyer de nouveau sur ● REC/REC MUTE une fois que la platine passe au mode pause d'enregistrement. A chaque pression sur la touche, un espace blanc de quatre secondes est ajouté.

### RÉMARQUE

"Can't REC" est affiché si on tente d'enregistrer sur une cassette dont les ergots en plastique sont cassés.

### Pour effacer un enregistrement

Ne pas oublier de débrancher le(s) microphone(s). De plus, s'assurer que les fonctions BEAT et AUTO SPICE sont hors service (page 9).

#### 1 Insérer la cassette à effacer dans la platine 2 et appuyer sur TAPE DECK 1/2 pour afficher "TP 2".

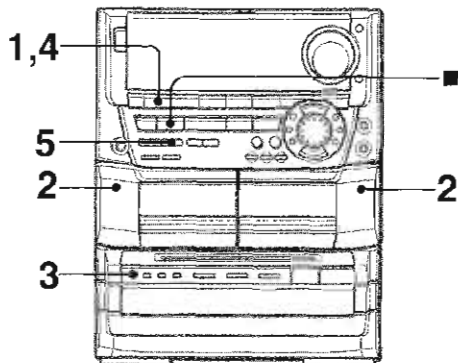
#### 2 Bobiner la cassette jusqu'à l'endroit où on veut démarrer l'effacement.

#### 3 Régler le mode d'inversion en appuyant sur REV MODE (DECK 2).

#### 4 Appuyer sur ● REC/REC MUTE pour démarrer l'effacement.



## DUPLICATION MANUELLE D'UNE CASSETTE



### REMARQUE

- Bobiner la cassette jusqu'à l'endroit où on veut démarrer l'enregistrement.
- Le mode d'inversion est automatiquement réglé sur  $\Sigma$ . Remarque que l'enregistrement ne sera fait que sur une face de la cassette.

**1 Appuyer sur TAPE DECK 1/2.**

**2 Insérer la cassette originale dans la platine 1 et la cassette à enregistrer dans la platine 2.**

Insérer chaque cassette avec la face à lire ou à enregistrer orientée vers l'extérieur de l'appareil.

**3 Appuyer sur DOLBY NR pour mettre le réducteur de bruit Dolby hors service.**

□□ NR disparaît de l'affichage.

**4 Appuyer sur TAPE/DECK 1/2 pour sélectionner la platine 1.**

"TP 1" est affiché.

**5 Appuyer sur ● REC/REC MUTE pour démarrer l'enregistrement.**

La lecture et l'enregistrement démarrent simultanément.



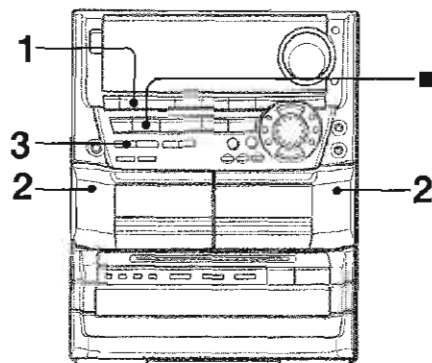
**Pour arrêter la duplication**

Appuyer sur ■.

**Sélection du réducteur de bruit Dolby lors de la lecture de la cassette dupliquée**

Appuyer sur DOLBY NR pour mettre le réducteur de bruit Dolby en ou hors service, en fonction de la cassette originale.

## DUPLICATION DE LA TOTALITE D'UNE CASSETTE



Cette fonction permet de faire des copies exactes des deux faces de la cassette originale. Les faces arrière des deux cassettes démarrent en même temps dès que la cassette la plus longue a été inversée.

### REMARQUE

- La duplication ne démarre pas à un point situé au milieu d'une face.
- Le mode d'inversion est automatiquement réglé sur  $\Sigma$ .
- Le réducteur de bruit Dolby n'affecte pas l'enregistrement.

**1 Appuyer sur TAPE DECK 1/2.**

**2 Insérer la cassette originale dans la platine 1 et la cassette à enregistrer dans la platine 2.**

Insérer chaque cassette avec la face à lire ou à enregistrer orientée vers l'extérieur de l'appareil.

**3 Appuyer une ou deux fois sur SYNC DUB pour démarrer l'enregistrement.**

① Pour enregistrer à vitesse normale, appuyer une fois sur la touche de manière que NORM-DUB soit affiché.

② Pour enregistrer à grande vitesse, appuyer deux fois sur la touche de manière que HIGH-DUB soit affiché.



Les cassettes sont rembobinées jusqu'au début des faces avant, puis l'enregistrement démarre.

**Pour arrêter la duplication**

Appuyer sur ■.

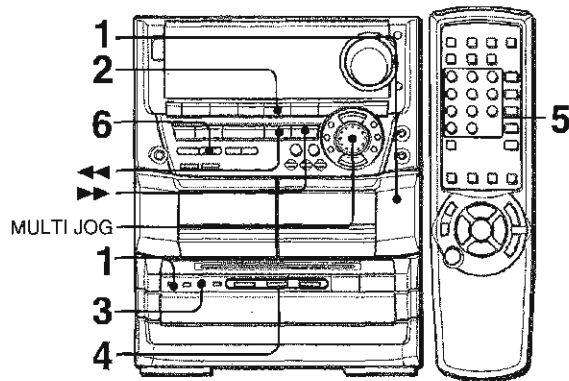
**Sélection du réducteur de bruit Dolby lors de la lecture de la cassette dupliquée**

Appuyer sur DOLBY NR pour mettre le réducteur de bruit Dolby en ou hors service, en fonction de la cassette originale.

### REMARQUE

Si l'ergot de sécurité d'une face ou l'autre de la cassette est absent, l'enregistrement ne démarre pas.

## ENREGISTREMENT AVEC MONTAGE ET CALCUL DU TEMPS



La fonction enregistrement avec montage et calcul du temps permet d'enregistrer à partir de disques compacts sans se préoccuper de la durée de la cassette et de la durée des plages. Quand un disque compact est en place, l'appareil calcule automatiquement la durée totale des plages. Si nécessaire, l'ordre des plages est changé de manière qu'aucune plage ne soit tronquée.

(AI: Intelligence Artificielle)

### REMARQUE

L'enregistrement avec montage et calcul du temps ne démarrera pas à un point situé au milieu d'une face. La cassette doit être enregistrée à partir du début d'une de ses faces.

**1 Insérer la cassette dans la platine 2 puis appuyer sur DOLBY NR pour mettre le réducteur de bruit Dolby en ou hors service.**

Insérer la cassette avec la face à enregistrer en premier orientée vers l'extérieur de l'appareil.

**2 Appuyer sur CD et mettre le(s) disque(s) en place.**

**3 Appuyer une fois sur CD EDIT/CHECK.**

"EDIT" est affiché.



• Si "PRGM" est affiché, appuyer sur CD EDIT/CHECK.

**4 Appuyer sur une des touches DISC DIRECT PLAY 1-3 pour sélectionner un disque.**

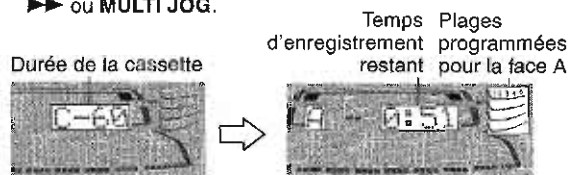
**5 Utiliser les touches numériques 0-9 de la télécommande pour spécifier la durée de la cassette.**

On peut spécifier une durée de 10 à 99 minutes.

Exemple: Quand on utilise une cassette de 60 minutes, appuyer sur 6 et 0.

En quelques secondes, les plages à enregistrer sur chaque face de la cassette sont déterminées.

• La durée de la cassette peut aussi être spécifiée avec ◀◀, ▶▶ ou MULTI JOG.



Face de la cassette  
A: Face du premier enregistrement  
B: Face du deuxième enregistrement

**6 Appuyer sur ● REC/REC MUTE pour démarrer l'enregistrement sur la première face.**

La cassette est rembobinée jusqu'au début de la face avant, l'amorce est lue pendant dix secondes, puis l'enregistrement démarre. Une fois que l'enregistrement sur la face avant (face A) est terminé, l'enregistrement sur la face arrière (face B) démarre.

**Pour arrêter l'enregistrement**

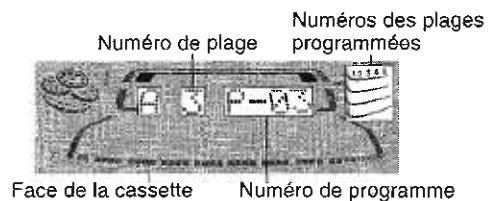
Appuyer sur ■. L'enregistrement de la cassette et la lecture du disque compact s'arrêtent simultanément.

**Pour effacer le programme du montage**

Appuyer deux fois sur ■ CLEAR de manière que "EDIT" disparaisse de l'affichage.

**Pour contrôler l'ordre des numéros des plages programmées**

Avant l'enregistrement, appuyer sur CD EDIT/CHECK pour sélectionner la face A ou B, puis appuyer sur ◀◀ ou ▶▶ à plusieurs reprises.



**Pour ajouter des plages d'autres disques au programme du montage**

S'il reste du temps sur la cassette après l'étape 5, on peut ajouter des plages des autres disques situés dans le compartiment.

**1 Appuyer sur CD EDIT/CHECK pour sélectionner la face A ou B.**

**2 Appuyer sur une des touches DISC DIRECT PLAY 1-3 pour sélectionner un disque.**

**3 Sélectionner les plages à l'aide des touches numériques de la télécommande. Une plage dont la durée de lecture est supérieure au temps restant ne peut pas être programmée.**

**4 Répéter les étapes 2 et 3 pour ajouter d'autres plages.**

**Durée des cassettes et temps du montage**

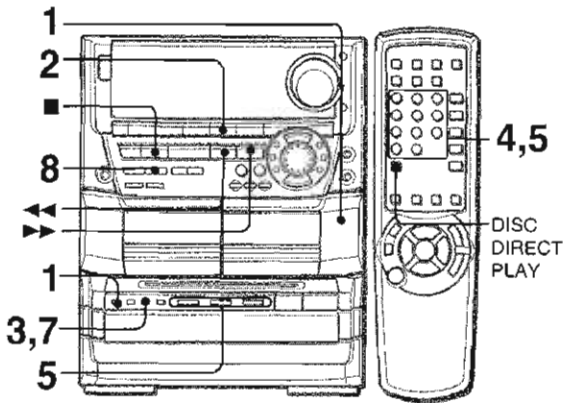
La durée réelle d'une cassette est en général légèrement supérieure à celle indiquée sur l'étiquette. Cet appareil peut programmer des plages pour utiliser le temps en excès. Quand, après le montage, la durée totale d'enregistrement est légèrement supérieure à la durée spécifiée pour la cassette, l'affichage indique le temps en excès (sans signe moins) au lieu du temps restant de la face de la cassette (avec le signe moins).

### REMARQUE

• La fonction enregistrement avec montage et calcul du temps ne peut pas être utilisée avec les disques contenant 31 plages ou plus. "TR OVER" est affiché si un tel disque est utilisé.

• Si l'ergot de sécurité d'une face ou l'autre de la cassette est absent, l'enregistrement ne se fait pas.

## ENREGISTREMENT AVEC MONTAGE PROGRAMME



La fonction enregistrement avec montage programmé permet de programmer les plages tout en contrôlant le temps restant sur chaque face de la cassette.

### REMARQUE

L'enregistrement avec montage programmé ne démarrera pas à un point situé au milieu d'une face. La cassette doit être enregistrée à partir du début d'une de ses faces.

- 1 Insérer la cassette dans la platine 2 puis appuyer sur DOLBY NR pour mettre le réducteur de bruit Dolby en ou hors service.

Insérer la cassette avec la face à enregistrer en premier orientée vers l'extérieur de l'appareil.

- 2 Appuyer sur CD et mettre le(s) disque(s) en place.

- 3 Appuyer deux fois sur CD EDIT/CHECK.

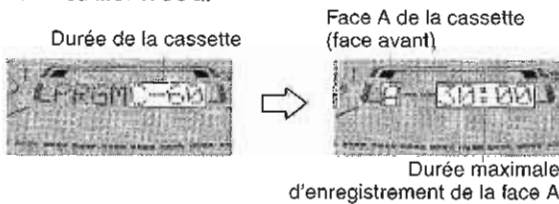
"EDIT" et "PRGM" sont affichés.

- Si "AI" est affiché, appuyer de nouveau sur CD EDIT/CHECK.

- 4 Utiliser les touches numériques de la télécommande pour spécifier la durée de la cassette.

On peut spécifier une durée de 10 à 99 minutes.

- La durée de la cassette peut aussi être spécifiée avec ◀◀, ▶▶ ou MULTI JOG.

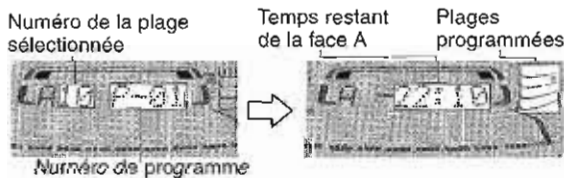


Durée maximale d'enregistrement de la face A

- 5 Appuyer sur une des touches DISC DIRECT PLAY 1-3 pour sélectionner un disque.

Ensuite, utiliser les touches numériques 0-9 et +10 de la télécommande pour programmer une plage.

Exemple: Pour sélectionner la dixième plage du disque 2, appuyer sur DISC DIRECT PLAY 2, puis appuyer sur +10 et 0.



Numéro de programme

- 6 Répéter l'étape 5 pour le reste des plages de la face A.

Une plage dont la durée de lecture est supérieure au temps restant ne peut pas être programmée.

- 7 Appuyer sur CD EDIT/CHECK pour sélectionner la face B, puis programmer les plages pour cette face.

Après s'être assuré que "B" est affiché, répéter l'étape 5.

Face B de la cassette (face arrière)



- 8 Appuyer sur ● REC/REC MUTE pour démarrer l'enregistrement.

La cassette est rembobinée jusqu'au début de la face avant, l'amorce est lue pendant dix secondes, puis l'enregistrement démarre. Une fois que l'enregistrement sur la face avant (A) est terminé, l'enregistrement sur la face arrière (B) démarre.

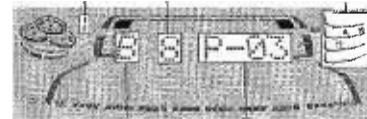
### Pour arrêter l'enregistrement

Appuyer sur ■. L'enregistrement de la cassette et la lecture du disque compact s'arrêtent simultanément.

### Pour contrôler l'ordre des numéros des plages programmées

Avant l'enregistrement, appuyer sur CD EDIT/CHECK pour sélectionner la face A ou B, puis appuyer sur ◀◀ ou ▶▶ à plusieurs reprises.

Numéro de disque      Numéro de plage      Numéros des plages programmées



Face de la cassette      Numéro de programme

### Pour changer le programme de chaque face

Appuyer sur CD EDIT/CHECK pour sélectionner la face A ou B, puis appuyer sur ■ CLEAR pour effacer le programme de la face sélectionnée. Ensuite, reprogrammer des plages.

F

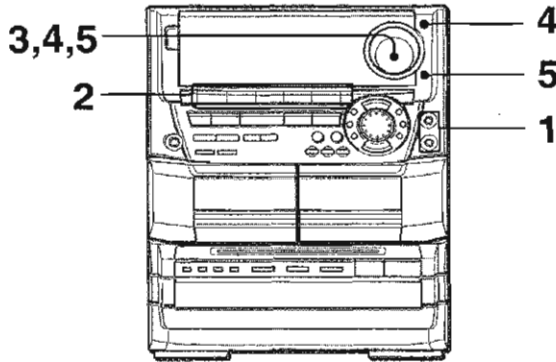
### Pour effacer le programme du montage

Appuyer deux fois sur ■ CLEAR de manière que "EDIT" disparaisse de l'affichage.

### REMARQUE

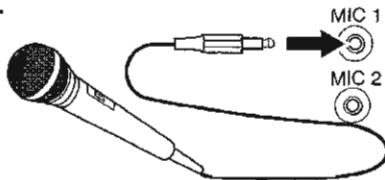
- On peut programmer un maximum de 30 plages de n'importe lequel des disques en place.
- "FULL" est affiché si on tente de programmer plus de 30 plages.
- Si l'ergot de sécurité d'une face ou l'autre de la cassette est absent, l'enregistrement ne se fait pas.

## MIXAGE AVEC MICROPHONE



Pour chanter avec accompagnement par une source musicale, on peut brancher deux microphones (pas fournis) à cet appareil. Utiliser des microphones à mini-fiches (3,5 mm Ø).

### 1 Brancher les microphones aux prises MIC 1 et MIC 2.



### 2 Appuyer sur une des touches de fonction pour sélectionner la source à mixer, et mettre cette source en lecture.

### 3 Régler le volume et la tonalité de la source.

### 4 Appuyer sur MIC puis tourner VOLUME dans les quatre secondes pour régler le volume de microphone.

Le volume de microphone peut être sélectionné de 1 à MAX (7) ou OFF (annulation).

Le volume des deux microphones est réglé simultanément.

### 5 Appuyer sur ECHO puis tourner VOLUME dans les quatre secondes pour régler le niveau d'écho.

Le niveau d'écho peut être sélectionné de 1 à MAX (7) ou OFF (annulation).

### Pour changer le temps de retard de l'écho

Tenir **ECHO** enfoncée tandis que l'écho est en service. Les réglages "L" (Long) et "M" (Moyen) sont affichés alternativement. Relâcher la touche quand le réglage souhaité est affiché.

### Pour enregistrer le son de microphone mixé avec la source sonore

Suivre la procédure d'enregistrement à partir de la source (voir page 20).

**SYNC DUB** ne peut pas être utilisée pour l'enregistrement de mixage.

### Quand on n'utilise pas les microphones

Régler le volume de microphone et le niveau d'écho sur OFF et débrancher les microphones des prises MIC.

### REMARQUE

- Quand on change le niveau de microphone ou d'écho, le mode SURROUND est automatiquement annulé.
- Si un microphone est placé trop près d'une enceinte, un bruit de hurlement risque de se produire. Le cas échéant, éloigner le microphone de l'enceinte ou baisser le volume de microphone.
- Si le son d'un microphone est extrêmement fort, il peut être déformé. Le cas échéant, baisser le volume de microphone.
- Quand la fonction est changée, les réglages de volume de microphone et de niveau d'écho sont annulés.

### Microphones recommandés

L'utilisation de microphones de type unidirectionnel est recommandée pour éviter le hurlement. Pour plus de détails, contacter le distributeur Aiwa local.

## FONCTIONS VOCAL FADER/MULTIPLEX

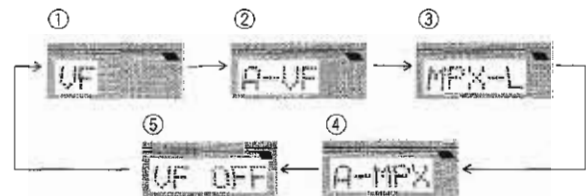
Cet appareil permet l'emploi de disques ou de cassettes comme sources Karaoke.

Utiliser la fonction Vocal Fader pour des disques ou cassettes ordinaires.

Utiliser la fonction Multiplex pour des disques ou cassettes multi audio.

### Appuyer sur KARAOKE à plusieurs reprises pour sélectionner la fonction Vocal Fader ou Multiplex.

A chaque pression sur **KARAOKE**, une de ces fonctions est sélectionnée de manière cyclique.



#### ① Vocal Fader

La partie vocale devient plus douce que l'accompagnement.

#### ② Auto Vocal Fader

La partie vocale devient plus douce uniquement pendant qu'il y a une entrée audio par un microphone.

#### ③ Multiplex

Seul le son du canal gauche est audible par les deux enceintes et le son du canal droit est atténué

#### ④ Auto Multiplex

Le son du canal gauche est audible par les deux enceintes et le son du canal droit est atténué uniquement pendant qu'il y a une entrée audio par un microphone.

#### ⑤ Annulation

### Pour changer le réglage du retard de la fonction Auto Vocal Fader ou Auto Multiplex

La partie vocale atténuée peut être rétablie plus rapidement. Quand la fonction Auto Vocal Fader ou Auto Multiplex est sélectionnée, "A-VF" ou "A-MPX" est affiché pendant trois secondes puis l'affichage passe au nom de la fonction sélectionnée. Une fois que le nom de la fonction sélectionnée est affiché, tenir **KARAOKE** enfoncée jusqu'à ce que "FAST" soit affiché.

Pour revenir au réglage initial, sélectionner SLOW.

Quand l'alimentation est coupée, SLOW est sélectionné.

### Pour changer le canal audible de la fonction Multiplex

Quand la fonction Multiplex est sélectionnée, "MPX-L" est affiché pendant trois secondes puis l'affichage passe au nom de la fonction sélectionnée. Une fois que le nom de la fonction sélectionnée est affiché, tenir **KARAOKE** enfoncée jusqu'à ce que "MPX-R" soit affiché.

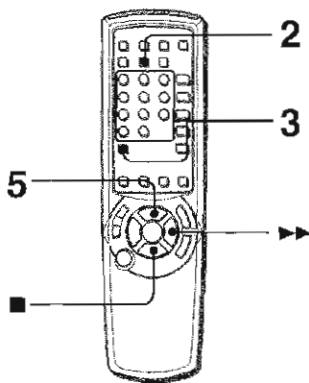
Pour revenir au réglage initial, sélectionner MPX-L.

Quand l'alimentation est coupée, MPX-L est sélectionné.

### REMARQUE

- Les fonctions Karaoke risquent de ne pas fonctionner correctement avec les disques compacts ou cassettes suivants.
  - Disques ou cassettes à enregistrement mono
  - Disques ou cassettes enregistrés avec de forts échos
  - Disques ou cassettes avec la partie vocale enregistrée sur la droite ou la gauche du spectre sonore
- Quand la fonction Karaoke est en service, le son est sorti en monophonie.
- Quand la fonction est changée, la fonction Karaoke est annulée.

## PROGRAMME DE KARAOKE



Avant ou pendant la lecture de disque compact, on peut réserver jusqu'à quinze plages à lire après la plage courante. Chaque réservation est effacée quand sa lecture est terminée.

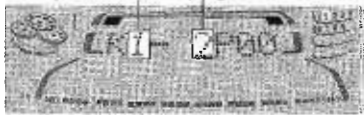
Utiliser la télécommande.

- 1 Appuyer sur CD et mettre les disques en place.
- 2 Appuyer une fois sur PRGM.



- 3 Appuyer sur DISC DIRECT PLAY, puis appuyer sur une des touches numériques 1-3 pour sélectionner un disque. Ensuite, programmer une plage à l'aide des touches numériques 0-9 et +10.

Numéro du disque réservé      Numéro de la plage réservée

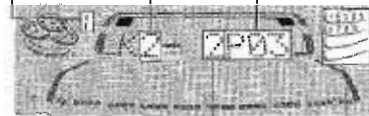


- 4 Répéter l'étape 3 pour réserver d'autres plages.

### 5 Appuyer sur ◀▶ pour démarrer la lecture.

Une fois qu'une plage est lue, elle est effacée du programme.

Disque en cours de lecture      Numéro de disque de la dernière réservation      Nombre de plages réservées restantes



Numéro de plage de la dernière réservation      Le numéro de la plage en cours de lecture clignote.

Pour ajouter une réservation pendant la lecture Répéter l'étape 3.

### Pour contrôler les plages réservées

Appuyer, à plusieurs reprises, sur CD EDIT/CHECK de l'appareil principal ou sur CD EDIT/CHECK tout en appuyant sur SHIFT de la télécommande. A chaque pression, un numéro de disque et un numéro de plage sont affichés dans l'ordre réservé.

### Pour arrêter la lecture

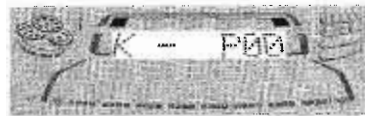
Appuyer sur ■. Quand on appuie sur ◀▶, la lecture redémarre à la dernière plage.

### Pour sauter la plage en cours de lecture

Appuyer sur ▶▶. La plage sautée est effacée du programme.

### Pour effacer toutes les réservations

Appuyer sur ▶▶ à plusieurs reprises jusqu'à ce que "K - P00" soit affiché.



Pour annuler le programme de Karaoke, appuyer une fois de plus sur cette touche. L'affichage repasse à celui de la lecture de disque compact.

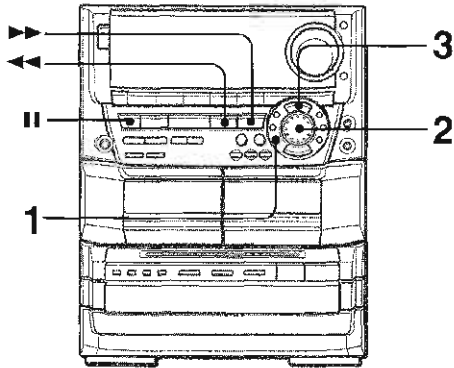
### REMARQUE

- Si le numéro de plage réservé n'existe pas sur le disque sélectionné, l'appareil arrête la lecture et l'affichage clignote. Dans ce cas, appuyer sur ▶▶ pour sauter l'erreur. Ensuite, appuyer sur ◀▶ pour démarrer la lecture à la plage réservée suivante.
- Si on appuie plusieurs fois sur PRGM à l'étape 1, "PRGM" est affiché et l'appareil passe au mode lecture programmée de disque compact (voir page 19). Pour annuler la lecture programmée, appuyer sur ■ CLEAR.

KARAOKE

F

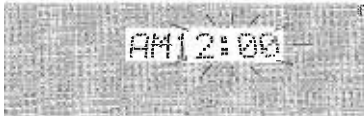
**REGLAGE DE L'HORLOGE**



L'horloge est affichée. (Le signe ":" entre les heures et les minutes clignote.) Lors du premier branchement du cordon secteur à une prise de courant après l'achat ou quand le réglage de l'horloge est annulé du fait d'une interruption d'alimentation, la totalité de l'affichage de l'horloge clignote.

**1 Appuyer sur CLOCK.**

Quand on utilise la télécommande, appuyer sur **CLOCK** tout en appuyant sur **SHIFT**.



**2 Dans les quatre secondes, tourner MULTI JOG pour spécifier les heures et les minutes.**

La rotation de **MULTI JOG** change à la fois les heures et les minutes.

On peut aussi utiliser **◀◀** ou **▶▶** au lieu de **MULTI JOG**. Le fait de tenir l'une ou l'autre de ces touches enfoncée fait varier l'heure rapidement.

**3 Appuyer sur ENTER ou II.**

L'horloge démarre à 00 seconde.

**Pour rétablir un réglage initial de l'horloge**

Pour rétablir le réglage initial de l'horloge, appuyer sur **CLOCK** avant de terminer l'étape 3. Ceci annule tout nouveau réglage.

**Pour faire apparaître l'horloge quand un autre affichage est en service**

Appuyer sur **CLOCK**. L'heure est affichée pendant quatre secondes puis l'affichage initial réapparaît. Toutefois, l'heure ne peut pas être affichée pendant l'enregistrement.

**Pour passer au format de 24 heures**

Appuyer sur **CLOCK** puis appuyer sur **■** dans les quatre secondes.

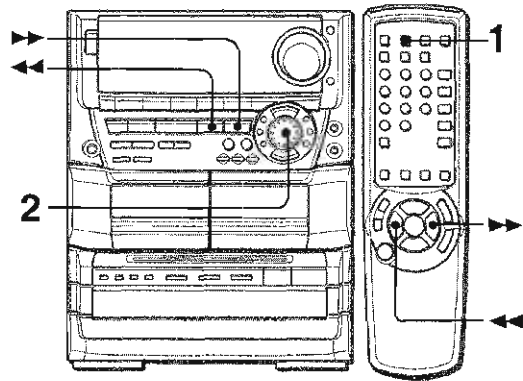
Pour rétablir le format de 12 heures, procéder de la même manière.

**Si l'affichage de l'horloge clignote**  
Ceci est dû à une interruption d'alimentation. L'heure courante doit être réglée de nouveau.  
Si l'alimentation est interrompue pendant plus d'environ 24 heures, tous les réglages mémorisés après l'achat doivent être faits de nouveau.

**REMARQUE**

Si le mode économie d'énergie (voir page 7) est en service, tous les indicateurs de l'affichage s'éteignent quand l'alimentation est coupée. Pour faire apparaître l'horloge, appuyer sur **CLOCK**; l'heure est alors affichée pendant quatre secondes.

**REGLAGE DE LA MINUTERIE D'ARRÊT**



L'appareil peut être mis hors tension automatiquement au bout d'un temps spécifié.

Utiliser la télécommande.

**1 Appuyer sur SLEEP.**



**2 Dans les quatre secondes, tourner MULTI JOG pour spécifier le temps jusqu'à la mise hors tension.**

Le temps change entre 5 et 240 minutes par pas de 5 minutes. On peut aussi utiliser **◀◀** et **▶▶** au lieu de **MULTI JOG**.

Temps spécifié



Quand la minuterie est en marche, l'indication de l'affichage est plus sombre que d'habitude.

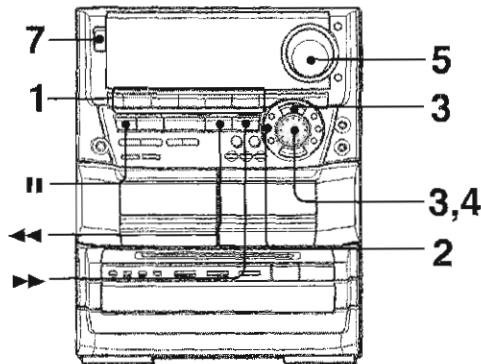
**Pour contrôler le temps restant jusqu'à la mise hors tension**

Appuyer une fois sur **SLEEP**. Le temps restant est affiché pendant quatre secondes.

**Pour annuler la minuterie d'arrêt**

Appuyer deux fois sur **SLEEP** de manière que "SLEEP OFF" apparaisse sur l'affichage.

## REGLAGE DE LA MINUTERIE



Avec la minuterie intégrée, l'appareil peut être mis sous tension chaque jour à l'heure spécifiée.

### Préparation

S'assurer que l'horloge est réglée correctement.

#### 1 Appuyer sur une des touches de fonction pour sélectionner une source.

- Si on appuie sur TUNER BAND, la gamme ne peut pas être sélectionnée à cette étape.

#### 2 Appuyer sur TIMER à plusieurs reprises jusqu'à ce que ☺ apparaisse sur l'affichage.

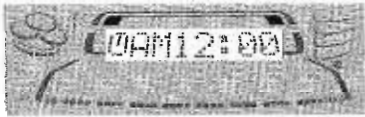
L'heure et le nom de la source audio clignotent alternativement.



#### 3 Dans les six secondes, tourner MULTI JOG pour spécifier l'heure de la mise sous tension par la minuterie, puis appuyer sur ENTER ou II.

La rotation de MULTI JOG change à la fois les heures et les minutes.

On peut aussi utiliser ◀◀ ou ▶▶ au lieu de MULTI JOG. Le fait de tenir l'une ou l'autre de ces touches enfoncée fait varier l'heure rapidement.



#### 4 Dans les quatre secondes, tourner MULTI JOG pour sélectionner la durée de la mise sous tension par la minuterie.

La durée peut être spécifiée entre 5 et 240 minutes par pas de 5 minutes.

On peut aussi utiliser ◀◀ ou ▶▶ au lieu de MULTI JOG.



La durée est automatiquement réglée au bout de quatre secondes. Elle est aussi réglée si on appuie sur ENTER ou II dans les quatre secondes après l'étape 4.

#### 5 Régler le volume.

Lors de la mise sous tension par la minuterie, le son de la source sera reproduit au niveau du volume réglé à cette étape. Toutefois, si le niveau du volume est réglé à 21 ou plus, il sera automatiquement réglé à 20 lors de la mise sous tension.

#### 6 Préparer la source.

Pour écouter un disque compact, mettre le disque à lire en premier en place sur le plateau 1.

Pour écouter une cassette, l'insérer dans la platine 1 ou 2.

Pour écouter la radio, accorder sur une station.

#### 7 Appuyer sur POWER pour mettre l'appareil hors tension.

Quand l'heure de la mise sous tension par la minuterie est atteinte, l'appareil est mis sous tension et la lecture commence sur la source sélectionnée.

### REMARQUE

En appuyant sur une des touches de fonction avant d'appuyer sur ENTER ou II à l'étape 3, on peut changer la source sélectionnée à l'étape 1.

### Pour contrôler le réglage de la minuterie

Appuyer sur TIMER.

La source sélectionnée, l'heure de la mise sous tension par la minuterie et la durée de la mise sous tension par la minuterie sont affichées pendant quatre secondes.

### Pour changer un réglage

Recommencer à partir de l'étape 1.

Toutefois, si on ne change pas l'heure de la mise sous tension par la minuterie, appuyer deux fois sur ENTER à l'étape 3 et continuer à partir de l'étape 4.

### Pour annuler provisoirement le mode attente de minuterie

Appuyer sur TIMER à plusieurs reprises de manière que ☺ disparaisse.

Pour rétablir le mode attente de minuterie, appuyer de nouveau sur la touche de manière que ☺ soit affiché.

### Utilisation de l'appareil lorsque la minuterie est réglée

On peut utiliser l'appareil normalement après avoir réglé la minuterie.

Avant de mettre l'appareil hors tension, effectuer les étapes 5 et 6.

### REMARQUE

- La lecture et l'enregistrement commandés par la minuterie ne se feront pas si l'appareil n'est pas mis hors tension.
- Un appareil connecté ne peut pas être mis sous et hors tension par la minuterie intégrée de l'appareil principal. Utiliser une minuterie externe.

## ENREGISTREMENT COMMANDE PAR MINUTERIE

L'enregistrement commandé par minuterie est applicable seulement aux sources TUNER et VIDEO/AUX (avec une minuterie externe).

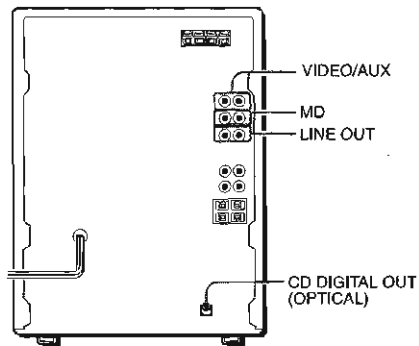
Appuyer sur TUNER BAND ou VIDEO/AUX pour sélectionner une source, puis appuyer sur TIMER à plusieurs reprises jusqu'à ce que REC s'allume sur l'affichage. Dans les six secondes, effectuer les étapes de la partie "REGLAGE DE LA MINUTERIE" à partir de l'étape 3 et, après l'étape 6, insérer la cassette à enregistrer dans la platine 2.

### REMARQUE

- Quand le mode économie d'énergie (voir page 7) est en service, le niveau du volume de l'enregistrement commandé par minuterie sera 0 (niveau minimal).
- On ne peut pas utiliser la fonction minuterie pour enregistrer à partir d'un disque compact ou d'une cassette.

## AUTRES CONNEXIONS

### CONNEXION D'UN APPAREIL OPTIONNEL



Pour plus de détails, se reporter au mode d'emploi de l'appareil connecté.

- Les cordons de raccordement ne sont pas fournis. Se procurer les cordons nécessaires.
- Pour les appareils optionnels disponibles, consulter le distributeur Aiwa local.

#### PRISES VIDEO/AUX

Cet appareil peut recevoir des signaux sonores analogiques par ces prises.

Utiliser un câble à fiches phono RCA pour connecter un appareil audio (tourne-disque, lecteur de disque laser, lecteur de minidisque, magnétoscope, téléviseur, etc.).

Connecter la fiche rouge à la prise VIDEO/AUX R et la fiche blanche à la prise VIDEO/AUX L.

#### Pour connecter un tourne-disque

Utiliser un tourne-disque Aiwa muni d'un amplificateur à égaliseur intégré.

#### PRISES MD

Ces prises sont recommandées pour la connexion d'un lecteur de minidisque.

Utiliser un câble à fiches phono RCA.

Connecter la fiche rouge à la prise MD R et la fiche blanche à la prise MD L.

#### PRISES LINE OUT

Cet appareil peut sortir les signaux sonores analogiques par ces prises.

Utiliser un câble à fiches phono RCA pour connecter un appareil audio muni de prises LINE IN (entrée analogique).

Connecter la fiche rouge à la prise LINE OUT R et la fiche blanche à la prise LINE OUT L.

#### REMARQUE

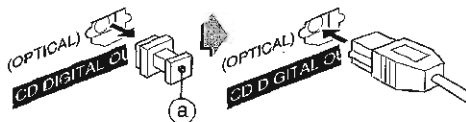
Ne pas connecter un appareil aux prises LINE OUT et aux prises VIDEO/AUX simultanément. Cela générerait des parasites et provoquerait une panne.

#### PRISE CD DIGITAL OUT (OPTICAL)

Cet appareil peut sortir les signaux sonores numériques de disque compact par cette prise.

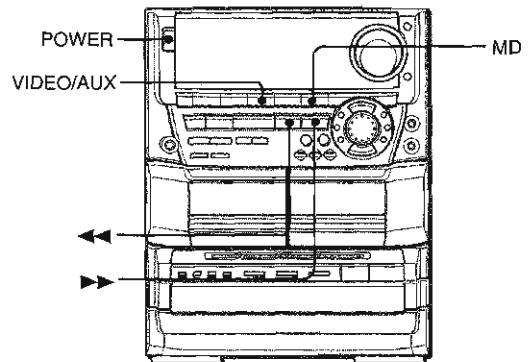
Utiliser un câble optique pour connecter un appareil audio numérique (platine DAT, enregistreur de minidisque, etc.).

Enlever le capuchon antipoussière (a) de la prise CD DIGITAL OUT (OPTICAL). Ensuite, connecter la fiche d'un câble optique à cette prise.



Quand la prise CD DIGITAL OUT (OPTICAL) n'est pas utilisée Mettre en place le capuchon antipoussière fourni.

### ECOUTE DE SOURCES EXTERNES



Pour utiliser l'appareil connecté aux prises VIDEO/AUX ou aux prises MD, procéder de la manière suivante.

#### 1 Appuyer sur VIDEO/AUX ou MD.

Pour utiliser l'appareil connecté aux prises VIDEO/AUX, appuyer sur VIDEO/AUX. "VIDEO" apparaît sur l'affichage.

Pour utiliser l'appareil connecté aux prises MD, appuyer sur MD. "MD" apparaît sur l'affichage.

#### 2 Mettre l'appareil connecté en lecture.

#### Pour changer un nom de source sur l'affichage

Quand on appuie sur VIDEO/AUX, "VIDEO" est affiché initialement. On peut remplacer ce nom par "AUX" ou "TV".

L'appareil étant sous tension, appuyer sur POWER tout en appuyant sur VIDEO/AUX.

Répéter cette procédure pour sélectionner un des noms.

#### Pour régler le niveau sonore de la source externe

Si le niveau sonore de la source externe est beaucoup plus élevé ou beaucoup plus faible que celui des autres sources, le régler de la manière suivante.

- 1 Appuyer sur VIDEO/AUX ou MD et mettre l'appareil en lecture.
- 2 Appuyer sur ◀◀ ou ▶▶ de manière que le niveau sonore soit le même que celui des autres sources.

#### REMARQUE

Pendant l'enregistrement, le niveau sonore ne peut pas être réglé.



## SOINS ET ENTRETIEN

Un entretien et des soins réguliers de l'appareil et des disques et cassettes sont nécessaires pour assurer un fonctionnement optimal.

**Nettoyage du coffret**

Utiliser un chiffon doux et sec.

Si l'appareil est extrêmement sale, utiliser un chiffon doux légèrement imbibé d'une solution détergente douce. Afin de ne pas altérer le fini de l'appareil, ne pas utiliser de solvants forts, tels que de l'alcool, de la benzine ou du diluant.

**Nettoyage des têtes du magnétocassette**

Quand les têtes du magnétocassette sont sales:

- il n'y a pas de sons aigus
- le son est trop faible
- le son est déséquilibré
- l'effacement d'une cassette est impossible
- l'enregistrement d'une cassette est impossible

Toutes les dix heures d'utilisation, nettoyer les têtes du magnétocassette avec une cassette prévue à cet effet.

Pour plus de détails, se référer au mode d'emploi de la cassette de nettoyage.

**Démagnétisation des têtes du magnétocassette**

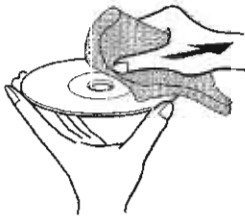
A la longue, les têtes du magnétocassette peuvent devenir magnétisées. Ceci peut restreindre la plage de sortie des cassettes enregistrées et augmenter le bruit.

A l'aide d'une cassette de démagnétisation disponible dans le commerce, démagnétiser les têtes du magnétocassette toutes les 20 à 30 heures d'utilisation.

Pour plus de détails, se référer au mode d'emploi de la cassette de démagnétisation.

**Soins des disques**

- Si un disque est sale, l'essuyer du centre vers l'extérieur avec un chiffon de nettoyage.



- Après la lecture d'un disque, le ranger dans son étui. Ne pas laisser le disque dans un endroit chaud ou humide.

**Soins des cassettes**

- Après l'utilisation, ranger les cassettes dans leurs boîtes.
- Ne pas laisser les cassettes près d'un aimant, d'un moteur électrique, d'un téléviseur ou de toute autre source de champ magnétique. Cela diminuerait la qualité sonore et provoquerait du souffle.
- Ne pas exposer les cassettes au soleil ni les laisser dans un véhicule garé au soleil.

## EN CAS DE PROBLEME

Si l'appareil ne fonctionne pas comme décrit dans ce mode d'emploi, consulter le guide suivant.

**GENERALITES****Il n'y a pas de son.**

- Le cordon secteur est-il branché correctement?
- N'y a-t-il pas une mauvaise connexion? (→ page 4)
- Il y a peut-être un court-circuit dans les bornes d'enceinte.
  - Débrancher le cordon secteur puis corriger les connexions d'enceinte.
- La fonction Karaoke n'est-elle pas en service?

**Le son ne sort que par une seule enceinte.**

- L'autre enceinte n'est-elle pas déconnectée?

**Le son sorti n'est pas stéréo.**

- La fonction Karaoke n'est-elle pas en service? (→ page 24)

**Un affichage ou un fonctionnement erroné se produit.**

- Réinitialiser l'appareil comme indiqué ci-dessous.

**L'appareil n'est pas sous tension.**

- Débrancher le cordon secteur puis le rebrancher quelques secondes après.

**PARTIE TUNER****Il y a des charges statiques constantes en forme d'onde.**

- L'antenne est-elle connectée correctement? (→ page 5)
- Le signal n'est-il pas faible?
  - Connecter une antenne extérieure.

**La réception présente des parasites ou le son présente de la distorsion.**

- Le système ne capte-t-il pas des bruits extérieurs ou des ondes réfléchies?
  - Changer l'orientation de l'antenne.
  - Eloigner l'appareil d'autres appareils électriques.

**PARTIE MAGNETOCASSETTE****La bande ne défile pas.**

- La platine 2 n'est-elle pas en mode pause? (→ page 16)
- Le son est déséquilibré ou trop faible.
- La tête de lecture n'est-elle pas sale? (→ page 29)

**L'enregistrement est impossible.**

- Un ergot de sécurité de la cassette n'est-il pas absent? (→ page 20)
- La tête d'enregistrement n'est-elle pas sale? (→ page 29)

**L'effacement est impossible.**

- La tête d'effacement n'est-elle pas sale? (→ page 29)
- Une cassette au métal n'est-elle pas utilisée?

**Il n'y a pas de sons aigus.**

- La tête d'enregistrement/de lecture n'est-elle pas sale? (→ page 29)
- Une cassette enregistrée sans réducteur de bruit Dolby n'est-elle pas lue avec le système réducteur de bruit Dolby en service? (→ page 20)

**PARTIE LECTEUR DE DISQUES COMPACTS****La lecture ne fonctionne pas.**

- Le disque est-il correctement mis en place? (→ page 18)
- Le disque n'est-il pas sale? (→ page 29)
- N'y a-t-il pas de la condensation sur la lentille?
  - Attendre environ une heure puis essayer de nouveau.

**Pour réinitialiser**

Si une anomalie apparaît sur la fenêtre d'affichage ou dans le magnétocassette, réinitialiser l'appareil de la manière suivante.

- 1 Appuyer sur **POWER** pour couper l'alimentation.
- 2 Tout en appuyant sur **CLEAR**, appuyer **POWER** pour remettre l'appareil sous tension. Toutes les données mémorisées après l'achat sont effacées.

Si à l'étape 1 l'alimentation ne peut pas être coupée du fait d'une anomalie, réinitialiser en débranchant le cordon secteur, puis le rebrancher. Ensuite, effectuer l'étape 2.

# SPECIFICATIONS

## Appareil principal CX-NA999

### Partie tuner FM

Plage d'accord	87,5 MHz à 108 MHz
Sensibilité utile (IHF)	13,2 dBf
Bornes d'antenne	75 ohms (asymétrique)

### Partie tuner AM

Plage d'accord	530 kHz à 1710 kHz (par pas de 10 kHz) 531 kHz à 1602 kHz (par pas de 9 kHz)
Sensibilité utile	350 µV/m
Antenne	Antenne cadre

### Partie amplificateur

#### Amplificateur des moyennes à hautes fréquences

Puissance de sortie	30 W + 30 W (200 Hz – 20 kHz, D.H.T. inférieure à 1%, 6 ohms)
Distorsion harmonique totale	0,1% (15 W, 1 kHz, 6 ohms, DIN AUDIO)

#### Amplificateur des basses fréquences

Puissance de sortie	90 W + 90 W (50 Hz – 200 Hz, D.H.T. inférieure à 1%, 6 ohms)
Distorsion harmonique totale	0,1% (45 W, 100 Hz, 6 ohms, DIN AUDIO)

#### Entrées

VIDEO/AUX: 316 mV (réglable)  
MD: 316 mV (réglable)  
MIC1, MIC2: 1,0 mV (10 kohms)

#### Sorties

SPEAKERS HIGH FREQ:  
acceptent des enceintes de 6 ohms ou plus  
SPEAKERS LOW FREQ:  
acceptent des enceintes de 6 ohms ou plus  
SURROUND SPEAKERS:  
acceptent des enceintes de 8 à 16 ohms  
LINE OUT: 150 mV  
PHONES (prise stéréo): accepte un casque de 32 ohms ou plus

### Partie magnétocassette

Format de piste	4 pistes, 2 canaux stéréo
Réponse en fréquence	Bande CrO <sub>2</sub> : 50 Hz – 16000 Hz Bande normale: 50 Hz – 15000 Hz
Système d'enregistrement	Polarisation CA
Têtes	1 tête de lecture (platine 1) 1 tête d'enregistrement/de lecture, 1 tête d'effacement (platine 2)

### Partie lecteur de disques compacts

Laser	Laser à semi-conducteurs ( $\lambda = 780$ nm)
Convertisseur N/A	1 bit, double
Rapport signal/bruit	85 dB (1 kHz, 0 dB)
Distorsion harmonique	0,05% (1 kHz, 0 dB)
Pleurage et scintillement	Non mesurable

### Généralités

Alimentation électrique	Secteur 120 V, 60 Hz
Puissance absorbée	170 W
Dimensions de l'appareil principal (L x H x P)	260 x 324 x 340 mm
Poids de l'appareil principal	11 kg

Puissance absorbée en attente	Quand le mode économie d'énergie est hors service: 36 W Quand le mode économie d'énergie est en service: 1,5 W
-------------------------------	---

## Enceintes acoustiques SX-WNA999

Type de caisson	4 voies, haut-parleur infragrave intégré (type à blindage antimagnétique)
Haut-parleurs	Haut-parleur infragrave: cône de 200 mm Infragrave: cône de 120 mm Large bande: céramique 60 mm Super-tweeter: céramique 20 mm
Impédance	6 ohms / 6 ohms
Niveau de pression acoustique de sortie	87 dB/W/m
Dimensions (L x H x P)	240 x 354 x 319 mm
Poids	7,0 kg

Les spécifications et l'aspect extérieur peuvent être modifiés sans préavis.

### BBE SYSTEM

L'expression "BBE" et le symbole "BBE" sont des marques déposées de BBE Sound, Inc. Sous licence de BBE Sound, Inc.

### REDUCTEUR DE BRUIT DOLBY

Réduction de bruit Dolby fabriquée sous licence de Dolby Laboratories Licensing Corporation. DOLBY et le symbole double-D  $\square$  sont des marques de Dolby Laboratories Licensing Corporation.

### DROITS D'AUTEUR

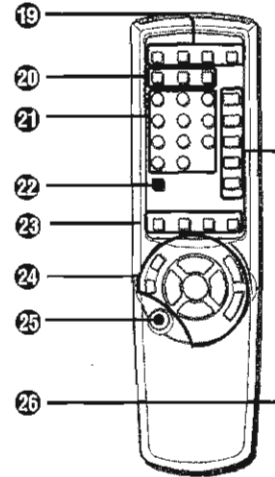
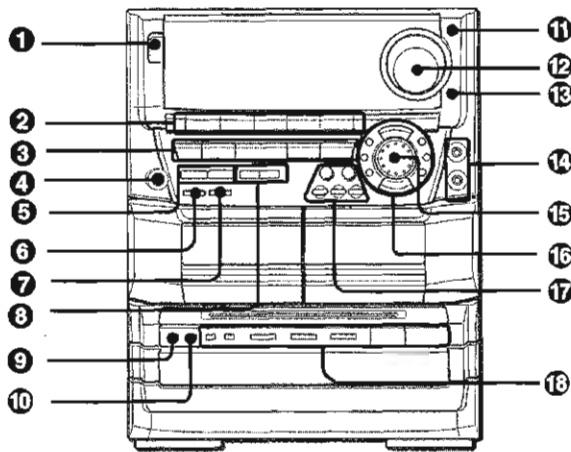
Prière de vérifier les lois sur la propriété artistique relatives à l'enregistrement de disques, de la radio ou de cassettes dans le pays d'utilisation de l'appareil.



# PARTS INDEX

# INDICE DE LAS PARTES

# NOMENCLATURE



Name/Nombre/Nom Page/Página/Page

1 POWER .....	6,15,27-29
2 TAPE DECK 1/2 .....	6,16,17,20,21
TUNER BAND .....	6,15,20,27
VIDEO/AUX .....	6,20,27,28
CD .....	6,18,20,22,23,25
MD .....	6,20,28
3 II SET .....	15,16,18,20,26,27
■ CLEAR .....	8,15-23,25,26,29
◀▶ DIRECTION/PRESET ....	8,15-18
◀◀/▶▶ DOWN .....	8,15-19,22,23,26,27
▶▶/▶▶ UP .....	8,15-19,22,23,25-27
4 PHONES .....	13
5 SYNC DUB .....	9,11,12,21
● REC/REC MUTE .....	20-23
6 DEMO .....	8
7 KARAOKE .....	24
8 T-BASS .....	9
BBE .....	9
9 DOLBY NR .....	16,17,20-23
10 REV MODE (DECK 2) .....	16,17,20
11 MIC .....	24
12 VOLUME .....	9,13,24,27
13 ECHO .....	24
14 MIC 1, 2 .....	24
15 MULTI JOG .....	6,7,9-15,18,22,23,26,27
16 SURROUND .....	14
TIMER .....	27
CLOCK .....	26
ECO .....	6,7
UP .....	13
DOWN .....	13
GEQ .....	13,14
ENTER .....	6,7,14,26,27
17 SPICE A, B .....	11,12
AUTO SPICE/FILL IN .....	11,12
BEAT ON/OFF .....	9-11
RHYTHM .....	9,10,12

Name/Nombre/Nom Page/Página/Page

18 CD EDIT/CHECK .....	18,22,23
CD BLANK SKIP .....	19
DISC DIRECT PLAY 1-3 .....	18,19,22,23
DISC CHANGE .....	18
▲ OPEN/CLOSE .....	18
19 TIMER .....	27
SLEEP .....	26
MONO TUNER .....	15
CLOCK .....	26
20 CD EDIT/CHECK .....	18,22,23
PRGM .....	19
RANDOM/REPEAT .....	19
21 0-9, +10 .....	15,18,19,22,23,25
22 DISC DIRECT PLAY .....	18,19,22,23,25
23 T-BASS .....	9
GEQ .....	13,14
KARAOKE .....	24
OPEN/CLOSE .....	18
24 REC/REC MUTE .....	20-23
II SET .....	15,16,18,20,26,27
◀◀/▶▶ DOWN .....	8,22,23,26,27
▶▶/▶▶ UP .....	8,22,23,25-27
■ CLEAR .....	8,15-23,25,26,29
▶/◀ PRESET .....	8,15-17,25
VOL (∨, ^) .....	9,13,24,27
25 POWER .....	6,27-29
26 TAPE DECK 1/2 .....	6,16,17,20,21
TUNER BAND .....	6,15,20,27
VIDEO AUX .....	6,20,27,28
CD .....	6,18,20,22,23,25
MD .....	6,20,28

For assistance and information

**call toll free 1-800-BUY-AIWA** (United States and Puerto Rico)